

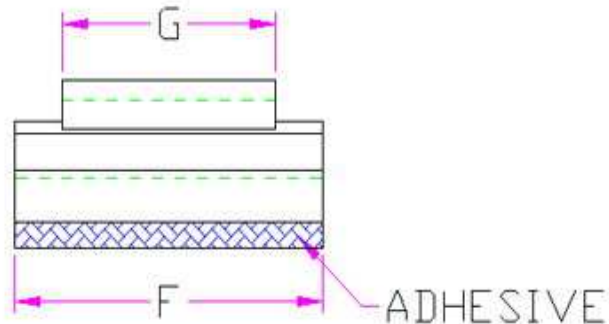
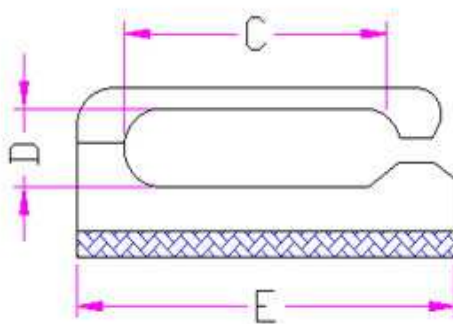
EDCON-COMPONENTS

WIRE MOUNT HOLDER



Material: Nylon 66 UL94V-2

Color: Natural



WIRE MOUNT HOLDER

EDCON-COMPONENTS

WIRE MOUNT HOLDER



Code length table

Code	C (mm)	D (mm)	E (mm)	F (mm)	G (mm)
A1	8,20	3,00	13,00	9,30	6,40
A2	8,50	3,10	13,00	9,30	6,30
A3	11,60	3,10	16,00	13,00	9,00

WIRE MOUNT HOLDER



Serie	Code Length	Material	Color	Packing		
N35002	A1	N	NA	B		
	A1~xx	N=Nylon	NA=Natural	B=Bulk		