

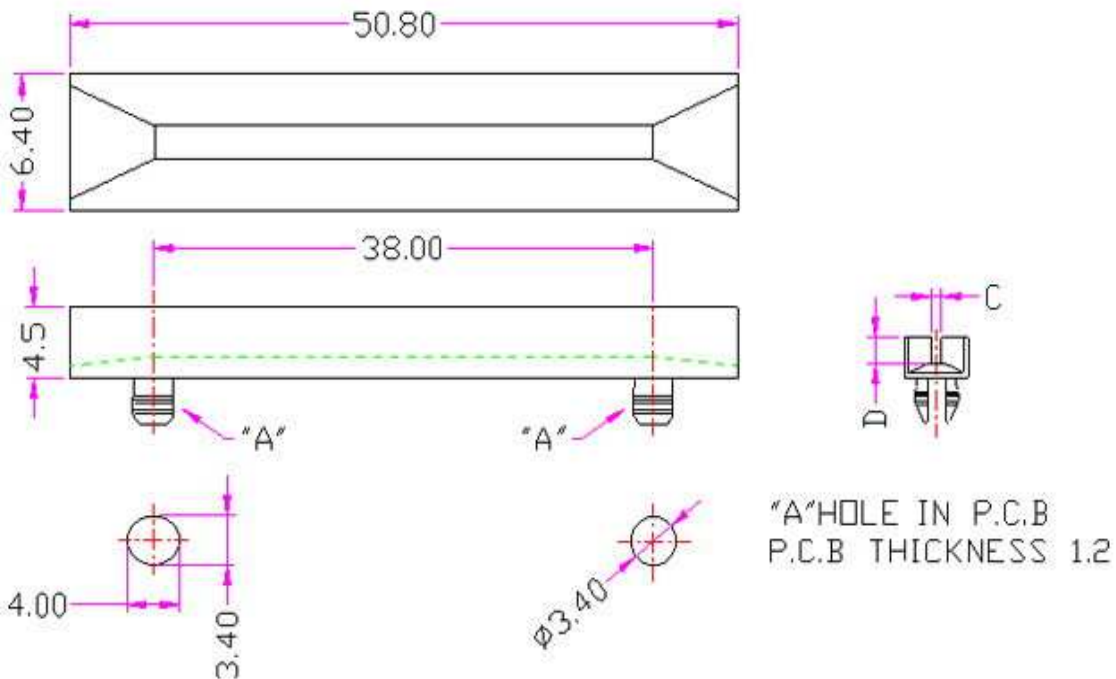
EDCON-COMPONENTS

WIRE MOUNT HOLDER



Material: Nylon 66 UL94V-2

Color: Natural



WIRE MOUNT HOLDER

