

# EDCON-COMPONENTS



## Technical Discription

Temperature Range:	PC= -60°C ~ +135°C
Protection Degree	IP66
Screw Material:	Stainless Steel

### Inluded following mounted Industrial Pushbutton

- Black Button with White Arrow and one Contact Block 3-4
- Red Button with White Ring and one Contact Block 1-2
- Black Button with White Arrow and one Contact Block 3-4



### Dimension (mm)

Length	165			
Width	65			
Height	55			
Hole Space	30mm			
Hole	22mm			

**4 Hole Pushbutton Sealed Plastic Enclosure**

Part No.: **H14045**

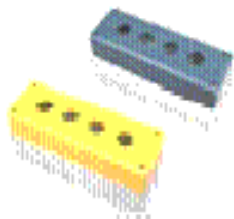
Customer:

DRW:	Jason	CHKD	Wilson	MATL:	Wilson	TOLERANCE	Mason	DATE	07.06.2017
APPD:	Schumi			FINISH	Jamy		Sheet No.	1 from 3	

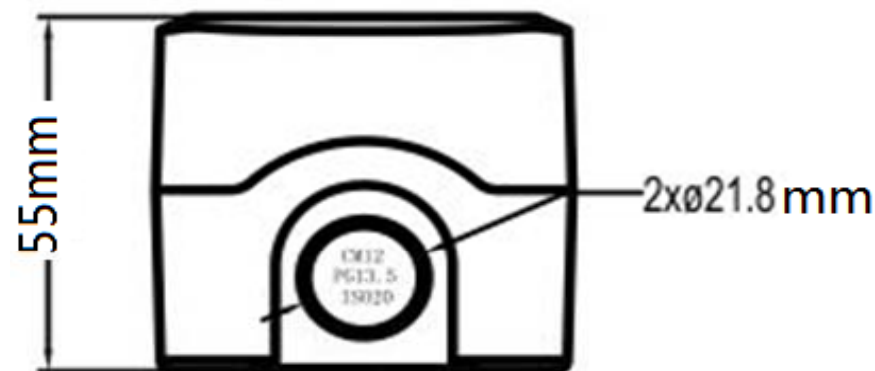
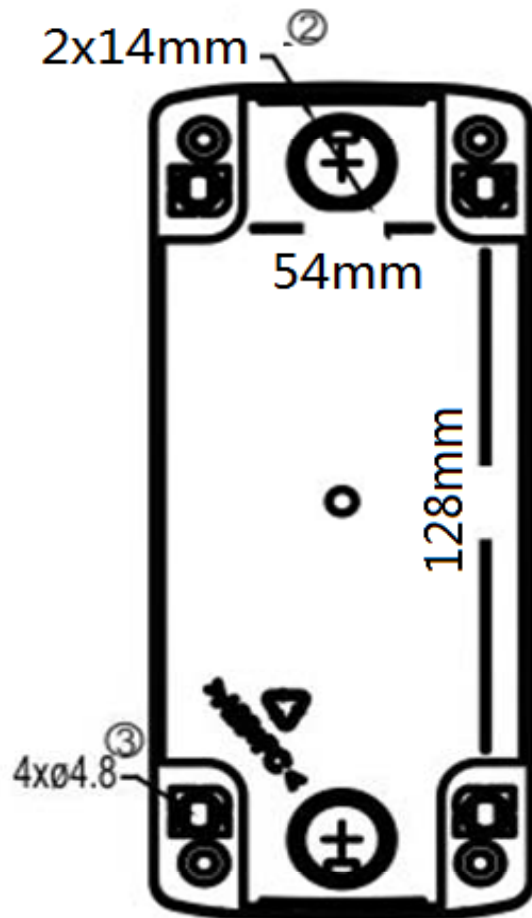
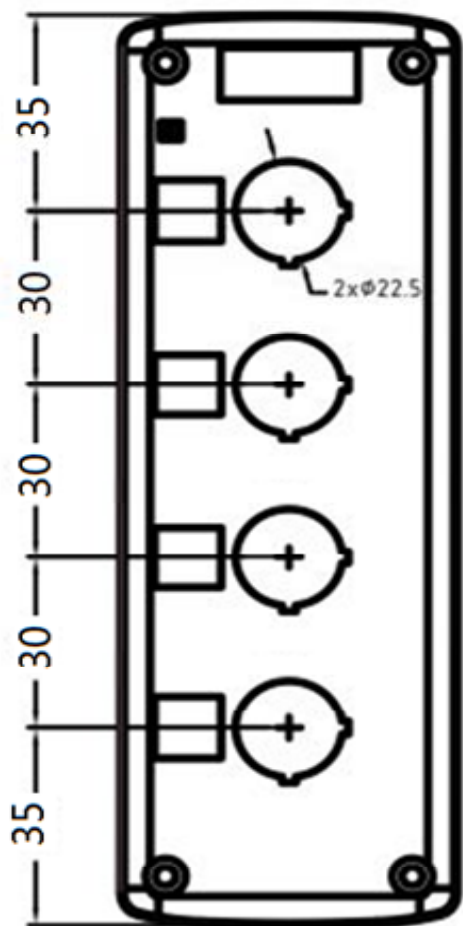
[www.edcon-components.com](http://www.edcon-components.com)

email: [info@edcon-components.com](mailto:info@edcon-components.com)

# EDCON-COMPONENTS



## Technical Drawing



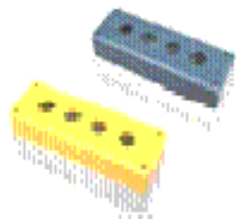
**4 Hole Pushbutton Sealed Plastic Enclosure**

Part No.: **H14045**

Customer:

DRW:	Jason	CHKD	Wilson	MATL:	Wilson	TOLERANCE	Mason	DATE	07.06.2017
APPD:	Schumi			FINISH	Jamy		Sheet No.	2 from 3	

# EDCON-COMPONENTS



## Ordering Informations

Serie	Material Base	Color Base	Material Cover	Color Cover	ROHS	Packing				
<b>H14045</b>	<b>P</b>	<b>L</b>	<b>P</b>	<b>A</b>	<b>R</b>	<b>S</b>				
				<b>A= Dark Gray</b>	<b>R= ROHS Conform</b>	<b>S= Standard Packing</b>				
	<b>P= Polycar - bonat</b>	<b>L= Light Gray</b>	<b>P= Polycar - bonat</b>		<b>N= NON ROHS Conform</b>	<b>I= Individual Packing</b>				

<b>4 Hole Pushbutton Sealed Plastic Enclosure</b>
Part No.: <b>H14045</b>
Customer:

DRW:	Jason	CHKD	Wilson	MATL:	Wilson	TOLERANCE	Mason	DATE	07.06.2017
APPD:	Schumi			FINISH	Jamy		Sheet No.	3 from 3	