

EDCON-COMPONENTS



Technical Discription

Temperature Range:	PC= -60°C ~ +135°C
Protection Degree	IP66
Screw Material:	Stainless Steel



Dimension (mm)

Length	165		
Width	65		
Height	55		
Hole Space	30mm		

4 Hole Pushbutton Sealed Plastic Enclosure

Part No.: **H14043**

DRW:	Jason	CHKD	Wilson	MATL:	Wilson	TOLERANCE	Mason	DATE	18.05.2017
APPD:	Schumi			FINISH	Jamy		Sheet No.	1 from 3	Customer:

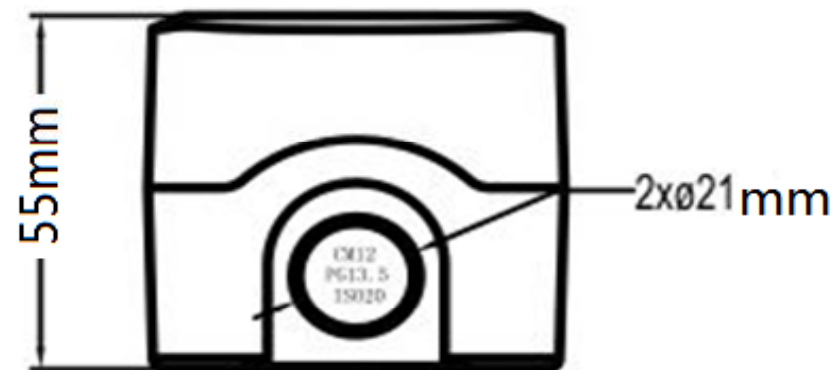
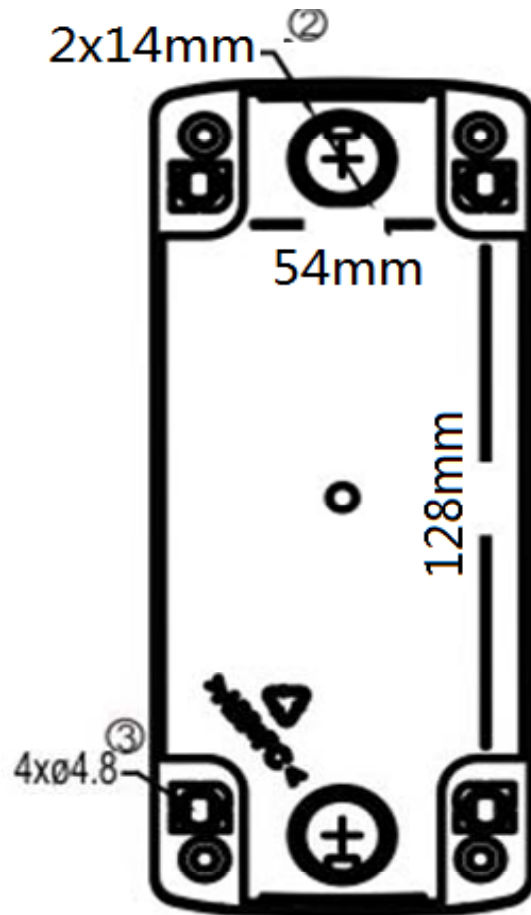
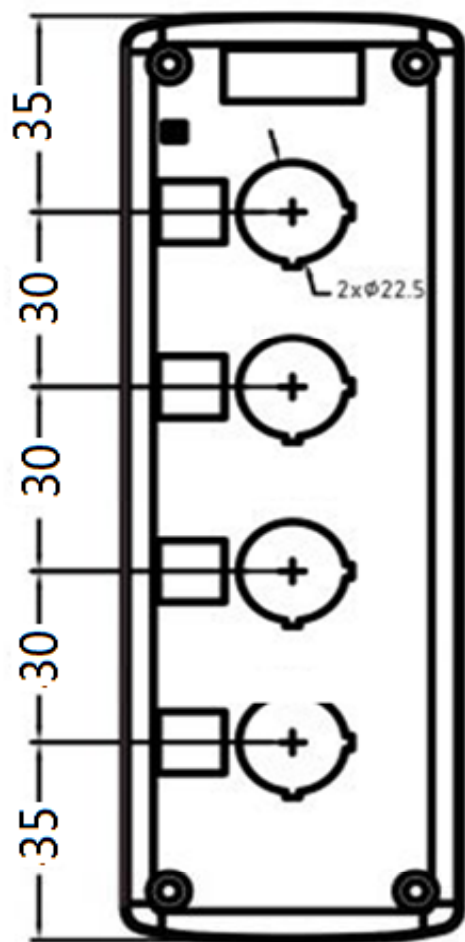
www.edcon-components.com

email: info@edcon-components.com

EDCON-COMPONENTS



Technical Drawing



4 Hole Pushbutton Sealed Plastic Enclosure

Part No.: **H14043**

Customer:

DRW:	Jason	CHKD	Wilson	MATL:	Wilson	TOLERANCE	Mason	DATE	18.05.2017
APPD:	Schumi			FINISH	Jamy		Sheet No.	2 from 3	

EDCON-COMPONENTS



Ordering Informations

Serie	Material Base	Color Base	Material Cover	Color Cover	ROHS	Packing				
H14043	P	L	P	A	R	S				
				A= Dark Gray	R= ROHS Conform	S= Standard Packing				
	P= Polycar - bonat	L= Light Gray	P= Polycar - bonat	B= Yellow	N= NON ROHS Conform	I= Individual Packing				

4 Hole Pushbutton Sealed Plastic Enclosure

Part No.: **H14043**

DRW:	Jason	CHKD	Wilson	MATL:	Wilson	TOLERANCE	Mason	DATE	18.05.2017
APPD:	Schumi			FINISH	Jamy		Sheet No.	3 from 3	

Customer: