

EDCON-COMPONENTS



Technical Discription

Temperature Range: ABS= -40°C ~ +80°C

Protection Degree IP66

The enclosure is free from corrosion compressive property and insulation be waterproof and dustproof.

Manufactured from ABS and PC, adequate for terminal interchange. Bitton box, small terminal, relay, sensor and communication box etc.



Sealed Plastic Enclosure	
280 x 380 x 130mm	
Part No.:	H46005
Customer:	

DRW:	Jason	CHKD	Wilson	MATL:	Wilson	TOLERANCE	Mason	DATE	12.02.2010
APPD:	Schumi			FINISH	Jamy		Sheet No.		1 from 3

www.edcon-components.com

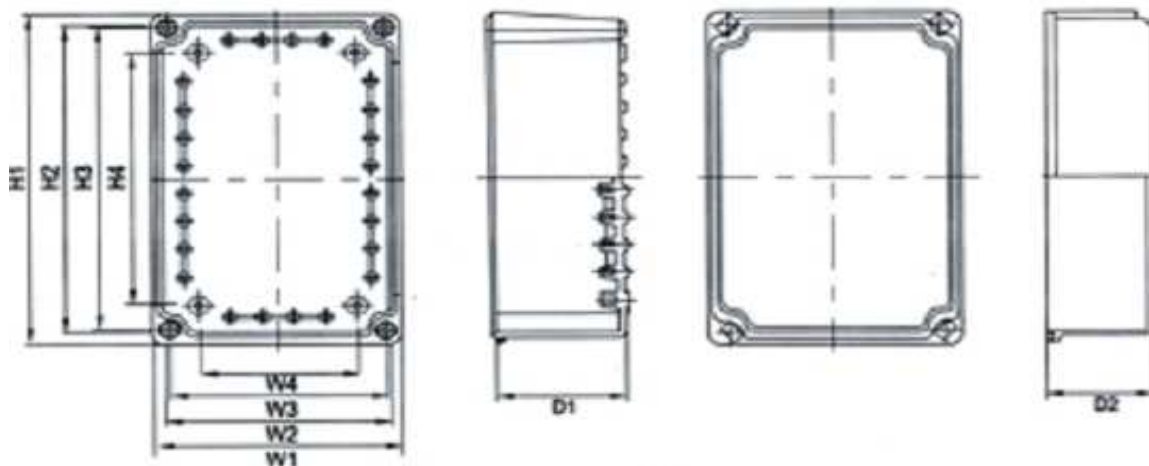
email: info@edcon-components.com

EDCON-COMPONENTS



Technical Drawing

Dimension (mm)											
H1	H2	H3	H4		W1	W2	W3	W4		D1	D2
380	359	355	310		280	259	255	210		98	30



**Sealed Plastic Enclosure
280 x 380 x 130mm**

Part No.: **H46005**

DRW:	Jason	CHKD	Wilson	MATL:	Wilson	TOLERANCE	Mason	DATE	12.02.2010	Customer:
APPD:	Schumi			FINISH	Jamy		Sheet No.	2 from 3		

www.edcon-components.com

email: info@edcon-components.com

EDCON-COMPONENTS



Ordering Informations

Serie	Material Base	Color Base	Material Cover	Color Cover	ROHS	Packing				
-------	---------------	------------	----------------	-------------	------	---------	--	--	--	--

H46005	A	G	A	G	R	S				
---------------	----------	----------	----------	----------	----------	----------	--	--	--	--

A= ABS	G= Gray	A= ABS	G= Gray	R= ROHS Conform	S= Standard Packing
		P= Polycarbonate	T= Transparent	N= NON ROHS Conform	I= Individual Packing

**Sealed Plastic Enclosure
280 x 380 x 130mm**

Part No.: **H46005**

DRW:	Jason	CHKD	Wilson	MATL:	Wilson	TOLERANCE	Mason	DATE	12.02.2010	Customer:
APPD:	Schumi			FINISH	Jamy		Sheet No.	3 from 3		