

EDCON-COMPONENTS



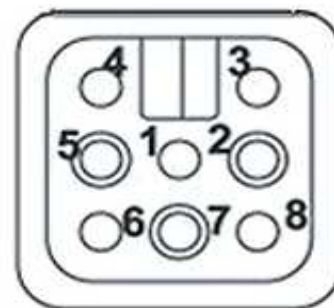
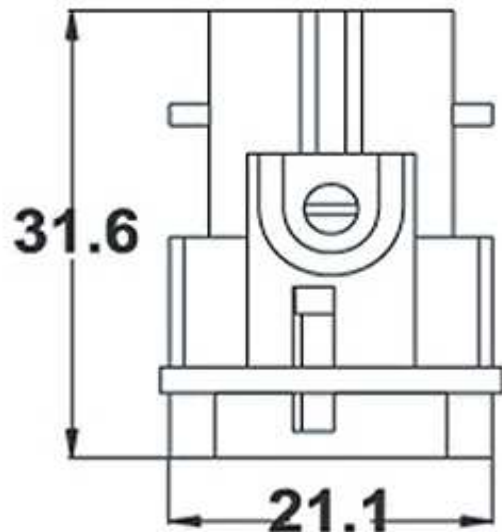
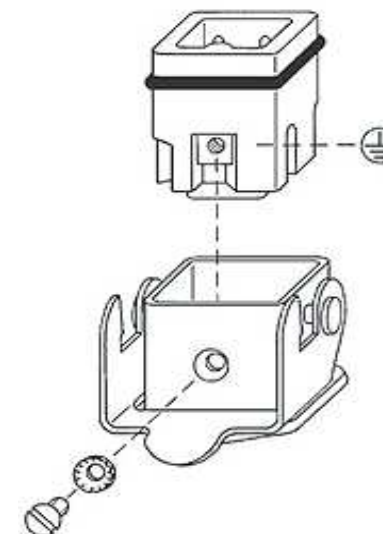
Contact



SPECIFICATION:

Working Current: 10A
 Working Voltage: 250V
 Rated Impulse Voltage: 4KV
 Isolation Resistance: > 1010 Ohm
 Temperature Range: -40°C to + 125°C
 Flammability acc. VO (UL94)
 Cable Mounting: Crimp

Technical Drawing



Contact arrangement view from termination side

Heavy Connector Serie HD-008
Part No.: 0930002
Customer:

DRW:	Jason	CHKD	Wilson	MATL:	Wilson	TOLERANCE	Mason	DATE	10.08.2010
APPD:	Schumi			FINISH	Jamy		Sheet No.		1 from 2

www.edcon-components.com

email: info@edcon-components.com

EDCON-COMPONENTS



Contact



Ordering Informations

Serie	Pos	Connecting	ROHS	Packing						
0930002	8	M	R	CA						

8= 8Pos.	M= Male	R= ROHS Conform	CA= Carton						
		N= NON ROHS Conform							

Heavy Connector Serie HD-008
Part No.: 0930002
Customer:

DRW:	Jason	CHKD	Wilson	MATL:	Wilson	TOLERANCE	Mason	DATE	10.08.2010
APPD:	Schumi			FINISH	Jamy		Sheet No.		2 from 2