

EDCON-COMPONENTS



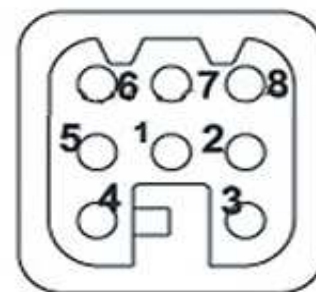
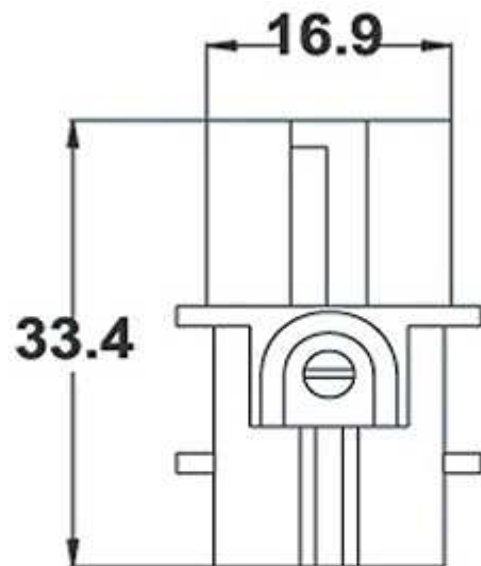
Contact



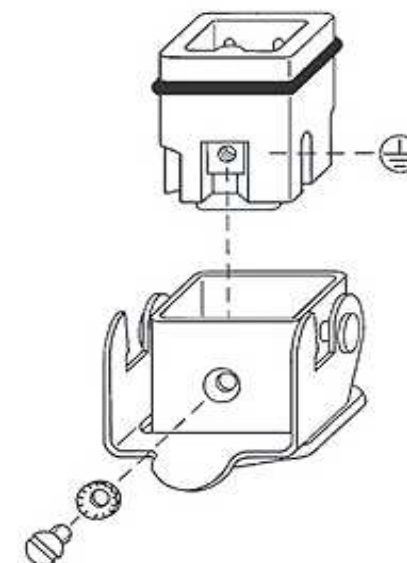
SPECIFICATION:

Working Current: 10A
 Working Voltage: 250V
 Rated Impulse Voltage: 4KV
 Isolation Resistance: > 1010 Ohm
 Temperature Range: -40°C to + 125°C
 Flammability acc. VO (UL94)
 Cable Mounting: Crimp

Technical Drawing



Contact arrangement view from termination side



Heavy Connector Serie HD-008

Part No.: **0930001**

Customer:

DRW:	Jason	CHKD	Wilson	MATL:	Wilson	TOLERANCE	Mason	DATE	10.08.2010
APPD:	Schumi			FINISH	Jamy		Sheet No.	1 from 2	

EDCON-COMPONENTS



Contact



Ordering Informations

Serie	Pos	Connecting	ROHS	Packing						
0930001	8	F	R	CA						

8= 8Pos.	F= Female	R= ROHS Conform	CA= Carton						
		N= NON ROHS Conform							

Heavy Connector Serie HD-008	
Part No.:	0930001
Customer:	

DRW:	Jason	CHKD	Wilson	MATL:	Wilson	TOLERANCE	Mason	DATE	10.08.2010
APPD:	Schumi			FINISH	Jamy		Sheet No.		2 from 2