

Data Sheet

Pluggable Terminal Block (Plug)

Pitch: 3,81 mm

Serie: A14H143

Customer Information for special Item

EDCON Customer : 0

Customer Version No. : 0

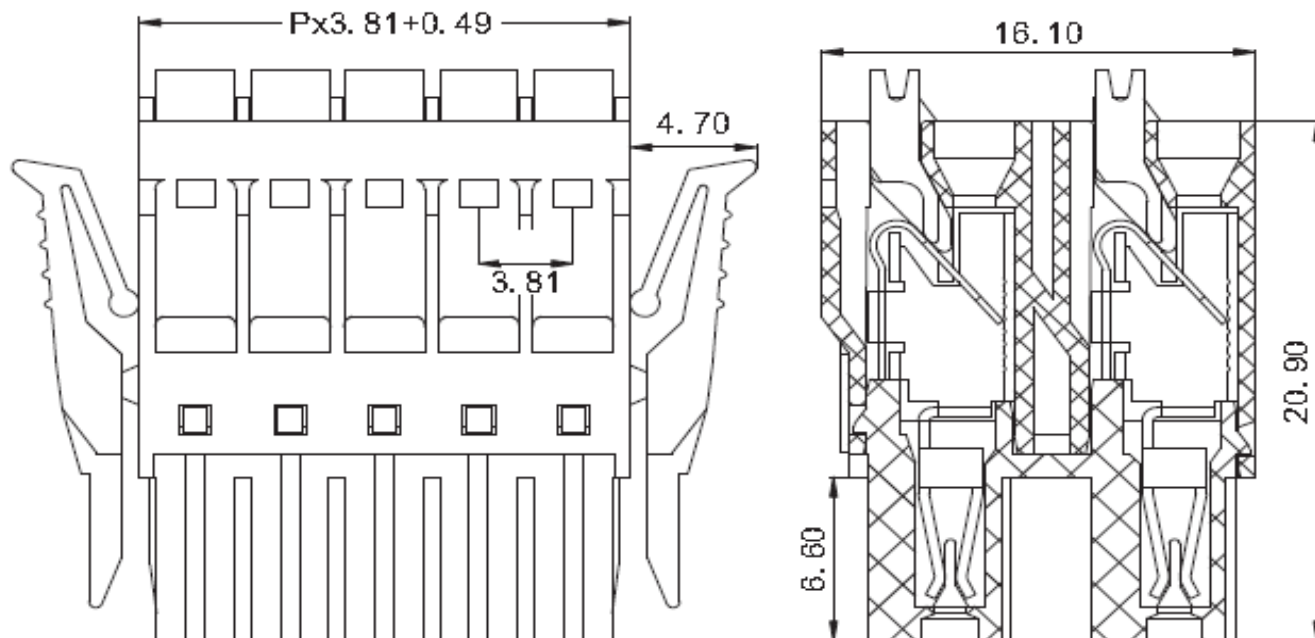
EDCON-COMPONENTS



Technical Discription

| | | |
|-----------------------|-------------------------------|--------------------|
| Electrical | UL | CE |
| Rated Voltage | 300Volt | 250V |
| Rated Current | 8A | 7A |
| Wire Range | | 1,5mm ² |
| Wire Range AWG-Size | 16 ~ 28 | |
| Withstanding Voltage | 2,0KV | 2,0KV |
| Insulation Resistance | 5000MΩ / 1KV | |
| Mechanical | | |
| Operating Temperature | -40°C ~ +105°C | |
| Wire Strip Length | 6-7mm | |
| Screw Torque | 0,2 / (1,8In-In.) | |
| Screw Size | M2 | |
| Dimensions | | |
| Pitch (mm) | 3,81 | |
| Poles | 2 ~ 24 Pos. | |
| Materials | | |
| Terminal Housing | PA66, UL94V-0 | |
| Pin Header | Brass Tin Plated | |
| Screw | Steel Ni-plated / Zinc Plated | |
| Cage | Brass Ni Plated | |

Drawing (Dimension in mm)



| | | | | | | | | | | | | |
|-------|--------|------|--------|--------|--------|-----------|----------------------------|-----------|------------|--|-------|--------------------------|
| | | | | | | | Unspecified Tolerance (mm) | | | Pluggable Terminal Block (Plug) | | |
| | | | | | | | X. | X.x | X.xx | | X.xxx | X.xxxx |
| | | | | | | | 0,35 | 0,25 | 0,2 | 0,15 | | Part No.: A14H143 |
| DRW: | Jason | CHKD | Wilson | MATL: | Wilson | TOLERANCE | Mason | DATE | 25.03.2017 | Customer: | | |
| APPD: | Schumi | | | FINISH | Jamy | | | Sheet No. | 1 from 3 | | | |

EDCON-COMPONENTS



Dimension Tolerance (mm)

| No. of Pos. | P | Tol. A | B | Tol. B |
|-------------|-------|--------|-------|--------|
| 02 | 4,30 | ± 0,10 | 3,81 | ± 0,10 |
| 03 | 8,42 | ± 0,10 | 7,62 | ± 0,10 |
| 04 | 12,23 | ± 0,10 | 11,43 | ± 0,10 |
| 05 | 16,04 | ± 0,10 | 15,24 | ± 0,10 |
| 06 | 19,85 | ± 0,10 | 19,05 | ± 0,10 |
| 07 | 23,66 | ± 0,10 | 22,86 | ± 0,10 |
| 08 | 27,47 | ± 0,10 | 26,67 | ± 0,10 |
| 09 | 31,28 | ± 0,20 | 30,48 | ± 0,20 |
| 10 | 35,09 | ± 0,20 | 34,29 | ± 0,20 |
| 11 | 38,90 | ± 0,20 | 38,10 | ± 0,20 |
| 12 | 42,71 | ± 0,20 | 41,91 | ± 0,20 |
| 13 | 46,52 | ± 0,20 | 45,72 | ± 0,20 |
| 14 | 50,33 | ± 0,20 | 49,53 | ± 0,20 |
| 15 | 54,14 | ± 0,20 | 53,34 | ± 0,20 |
| 16 | 57,95 | ± 0,20 | 57,15 | ± 0,20 |
| 17 | 61,76 | ± 0,30 | 60,96 | ± 0,30 |
| 18 | 65,57 | ± 0,30 | 64,77 | ± 0,30 |
| 19 | 69,38 | ± 0,30 | 68,58 | ± 0,30 |
| 20 | 73,19 | ± 0,30 | 72,39 | ± 0,30 |
| 21 | 77,00 | ± 0,30 | 76,20 | ± 0,30 |
| 22 | 80,81 | ± 0,30 | 80,01 | ± 0,30 |
| 23 | 84,62 | ± 0,30 | 83,82 | ± 0,30 |
| 24 | 88,43 | ± 0,30 | 87,63 | ± 0,30 |

Pluggable Terminal Block (Plug)

Part No.: **A14H143**

Customer:

| | | | | | | | | | |
|-------|--------|------|--------|--------|--------|-----------|-----------|------|------------|
| DRW: | Jason | CHKD | Wilson | MATL: | Wilson | TOLERANCE | Mason | DATE | 25.03.2017 |
| APPD: | Schumi | | | FINISH | Jamy | | Sheet No. | | 2 from 3 |

EDCON-COMPONENTS



Ordering Informations

| Serie | No. of Pos. | Body Color | Screw Type | Approval Code | ROHS | Packing | EDCON Cust. No. | Customer Version | | |
|-------|-------------|------------|------------|---------------|------|---------|-----------------|------------------|--|--|
|-------|-------------|------------|------------|---------------|------|---------|-----------------|------------------|--|--|

| | | | | | | | | | | |
|----------------|-----------|-----------|----------|----------|----------|----------|--|--|--|--|
| A14H143 | 02 | PG | C | N | R | B | | | | |
|----------------|-----------|-----------|----------|----------|----------|----------|--|--|--|--|

| | | | | | | | | |
|---------------|---|---|--|---|--|---------------------------------------|-------------------------|------------------------------------|
| Pitch 3,81 | 02= Number of Pos. Standard 2 ~ 24Pos. | PG= Phoenix Green (Standard) WH= White GN= Green GY= Gray LG= Light Gray OR= Orange BL= Blue BK= Black | A= Slotted Screw Type (Standard) B= Cross Slotted Screw Type C= Screwless Type | N= NON Approval A= UL /UR Approval Please consult EDCON for available B= VDE Approval Please consult EDCON for available C= TÜV Approval Please consult EDCON for available | R= ROHS Conform N= NON ROHS Conform | B= Bulk-Ware I= Individual Package | xxxxxx= Customer Number | xxx= Customer Version ??(Printing) |
|---------------|---|---|--|---|--|---------------------------------------|-------------------------|------------------------------------|

Pluggable Terminal Block (Plug)

Part No.: **A14H143**

| | | | | | | | | | |
|-------|--------|------|--------|--------|--------|-----------|-----------|------|------------|
| DRW: | Jason | CHKD | Wilson | MATL: | Wilson | TOLERANCE | Mason | DATE | 25.03.2017 |
| APPD: | Schumi | | | FINISH | Jamy | | Sheet No. | | 3 from 3 |

Customer: