

# Data Sheet

## Pluggable Terminal Block (Plug)

**Pitch: 3,81 mm**

**Serie: A14H135**

### Customer Information for special Item

**EDCON Customer : 0**

**Customer Version No. : 0**

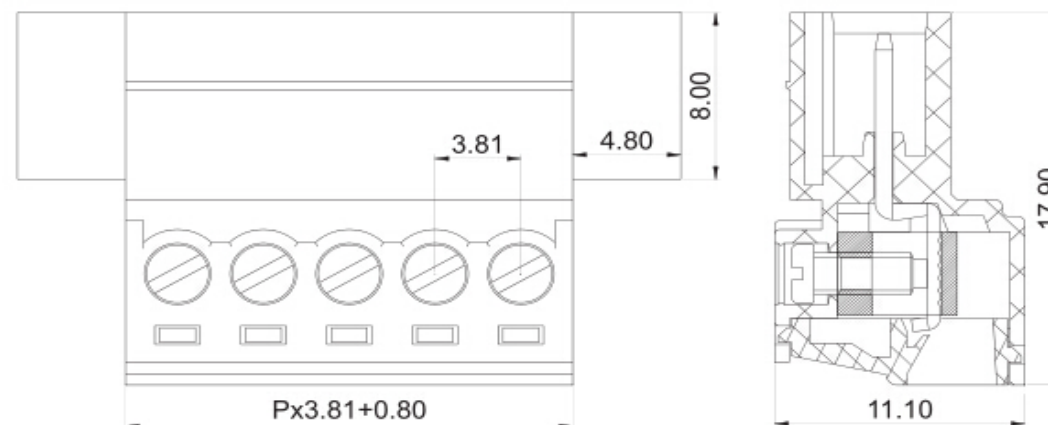
# EDCON-COMPONENTS



## Technical Discription

<b>Electrical</b>	UL	CE
Rated Voltage	300Volt	250V
Rated Current	8A	7A
Wire Range		1,5mm <sup>2</sup>
Wire Range AWG-Size	16 ~ 28	
Withstanding Voltage	2,0KV	2,0KV
Insulation Resistance	5000MΩ / 1KV	
<b>Mechanical</b>		
Operating Temperature	-40°C ~ +105°C	
Wire Strip Length	6-7mm	
Screw Torque	0,2 / (1,8In-In.)	
Screw Size	M2	
<b>Dimensions</b>		
Pitch (mm)	3,81	
Poles	2 ~ 24 Pos.	
<b>Materials</b>		
Terminal Housing	PA66, UL94V-0	
Pin Header	Brass Tin Plated	
Screw	Steel Ni-plated / Zinc Plated	
Cage	Brass Ni Plated	

## Drawing (Dimension in mm)



							Unspecified Tolerance (mm)			<b>Pluggable Terminal Block (Plug)</b>		
							X.	X.x	X.xx		X.xxx	X.xxxx
							0,35	0,25	0,2	0,15		Part No.: <b>A14H135</b>
DRW:	Jason	CHKD	Wilson	MATL:	Wilson	TOLERANCE	Mason	DATE	25.03.2017	Customer:		
APPD:	Schumi			FINISH	Jamy			Sheet No.	1 from 3			

# EDCON-COMPONENTS



## Dimension Tolerance (mm)

No. of Pos.	P	Tol. A	B	Tol. B
02	4,61	± 0,10	3,81	± 0,10
03	8,42	± 0,10	7,62	± 0,10
04	12,23	± 0,10	11,43	± 0,10
05	16,04	± 0,10	15,24	± 0,10
06	19,85	± 0,10	19,05	± 0,10
07	23,66	± 0,10	22,86	± 0,10
08	27,47	± 0,10	26,67	± 0,10
09	31,28	± 0,20	30,48	± 0,20
10	35,09	± 0,20	34,29	± 0,20
11	38,90	± 0,20	38,10	± 0,20
12	42,71	± 0,20	41,91	± 0,20
13	46,52	± 0,20	45,72	± 0,20
14	50,33	± 0,20	49,53	± 0,20
15	54,14	± 0,20	53,34	± 0,20
16	57,95	± 0,20	57,15	± 0,20
17	61,76	± 0,30	60,96	± 0,30
18	65,57	± 0,30	64,77	± 0,30
19	69,38	± 0,30	68,58	± 0,30
20	73,19	± 0,30	72,39	± 0,30
21	77,00	± 0,30	76,20	± 0,30
22	80,81	± 0,30	80,01	± 0,30
23	84,62	± 0,30	83,82	± 0,30
24	88,43	± 0,30	87,63	± 0,30

### Pluggable Terminal Block (Plug)

Part No.: **A14H135**

Customer:

DRW:	Jason	CHKD	Wilson	MATL:	Wilson	TOLERANCE	Mason	DATE	25.03.2017
APPD:	Schumi			FINISH	Jamy		Sheet No.		2 from 3



# EDCON-COMPONENTS



## Ordering Informations

Serie	No. of Pos.	Body Color	Screw Type	Approval Code	ROHS	Packing	EDCON Cust. No.	Customer Version		
<b>A14H135</b>	<b>02</b>	<b>PG</b>	<b>A</b>	<b>N</b>	<b>R</b>	<b>B</b>				

Pitch  
3,81

02= Number of Pos. Standard 2 ~ 24Pos.	PG= Phoenix Green (Standard)	A= Slotted Screw Type (Standard) 	N= NON Approval	R= ROHS Conform	B= Bulk-Ware I= Individual Package	xxxxxx= Customer Number	xxx= Customer Version ??(Printing)
	WH= White		A= UL /UR Approval Please consult EDCON for available	N= NON ROHS Conform			
	GN= Green	B= Cross Slotted Screw Type 	B= VDE Approval Please consult EDCON for available	C= TÜV Approval Please consult EDCON for available			
	GY= Gray						
	LG= Light Gray						
	OR= Orange	C= Screwless Type					
	BL= Blue						
BK= Black							

<b>Pluggable Terminal Block (Plug)</b>	
Part No.:	<b>A14H135</b>
Customer:	

DRW:	Jason	CHKD	Wilson	MATL:	Wilson	TOLERANCE	Mason	DATE	25.03.2017
APPD:	Schumi			FINISH	Jamy		Sheet No.		3 from 3