

Data Sheet

Pluggable Terminal Block (Plug)

Pitch: 3,81 mm

Serie: A14H134

Customer Information for special Item

EDCON Customer : 0

Customer Version No. : 0

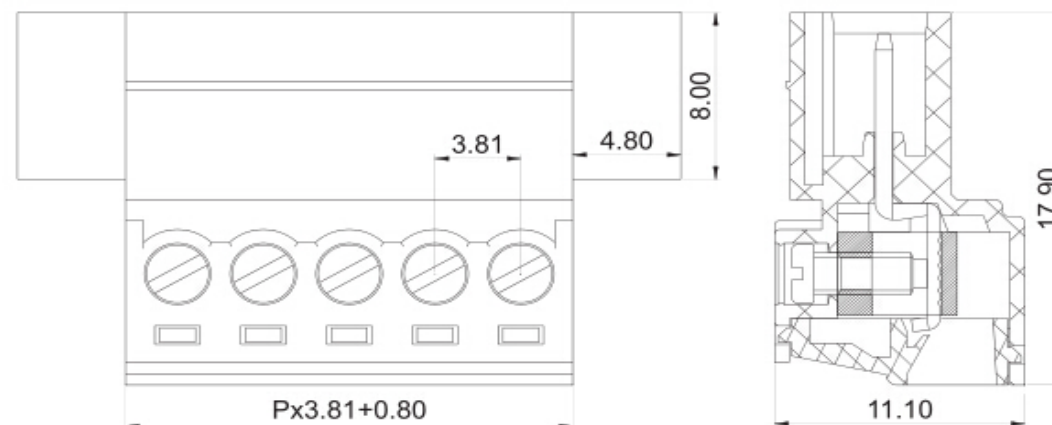
EDCON-COMPONENTS



Technical Discription

Electrical	UL	CE
Rated Voltage	300Volt	250V
Rated Current	8A	7A
Wire Range		1,5mm ²
Wire Range AWG-Size	16 ~ 28	
Withstanding Voltage	2,0KV	2,0KV
Insulation Resistance	5000MΩ / 1KV	
Mechanical		
Operating Temperature	-40°C ~ +105°C	
Wire Strip Length	6-7mm	
Screw Torque	0,2 / (1,8In-In.)	
Screw Size	M2	
Dimensions		
Pitch (mm)	3,81	
Poles	2 ~ 24 Pos.	
Materials		
Terminal Housing	PA66, UL94V-0	
Pin Header	Brass Tin Plated	
Screw	Steel Ni-plated / Zinc Plated	
Cage	Brass Ni Plated	

Drawing (Dimension in mm)



							Unspecified Tolerance (mm)			Pluggable Terminal Block (Plug)		
							X.	X.x	X.xx		X.xxx	X.xxxx
							0,35	0,25	0,2	0,15		Part No.: A14H134
DRW:	Jason	CHKD	Wilson	MATL:	Wilson	TOLERANCE	Mason	DATE	25.03.2017	Customer:		
APPD:	Schumi			FINISH	Jamy			Sheet No.	1 from 3			

EDCON-COMPONENTS



Dimension Tolerance (mm)

No. of Pos.	P	Tol. A	B	Tol. B
02	4,61	± 0,10	3,81	± 0,10
03	8,42	± 0,10	7,62	± 0,10
04	12,23	± 0,10	11,43	± 0,10
05	16,04	± 0,10	15,24	± 0,10
06	19,85	± 0,10	19,05	± 0,10
07	23,66	± 0,10	22,86	± 0,10
08	27,47	± 0,10	26,67	± 0,10
09	31,28	± 0,20	30,48	± 0,20
10	35,09	± 0,20	34,29	± 0,20
11	38,90	± 0,20	38,10	± 0,20
12	42,71	± 0,20	41,91	± 0,20
13	46,52	± 0,20	45,72	± 0,20
14	50,33	± 0,20	49,53	± 0,20
15	54,14	± 0,20	53,34	± 0,20
16	57,95	± 0,20	57,15	± 0,20
17	61,76	± 0,30	60,96	± 0,30
18	65,57	± 0,30	64,77	± 0,30
19	69,38	± 0,30	68,58	± 0,30
20	73,19	± 0,30	72,39	± 0,30
21	77,00	± 0,30	76,20	± 0,30
22	80,81	± 0,30	80,01	± 0,30
23	84,62	± 0,30	83,82	± 0,30
24	88,43	± 0,30	87,63	± 0,30

Pluggable Terminal Block (Plug)

Part No.: **A14H134**

Customer:

DRW:	Jason	CHKD	Wilson	MATL:	Wilson	TOLERANCE	Mason	DATE	25.03.2017
APPD:	Schumi			FINISH	Jamy		Sheet No.		2 from 3



EDCON-COMPONENTS



Ordering Informations

Serie	No. of Pos.	Body Color	Screw Type	Approval Code	ROHS	Packing	EDCON Cust. No.	Customer Version		
A14H134	02	PG	A	N	R	B				

Pitch
3,81

02 = Number of Pos. Standard 2 ~ 24Pos.	PG = Phoenix Green (Standard)	A = Slotted Screw Type (Standard) 	N = NON Approval	R = ROHS Conform	B = Bulk-Ware I = Individual Package	xxxxxx = Customer Number	xxx = Customer Version ??(Printing)
	WH = White		A = UL /UR Approval Please consult EDCON for available	N = NON ROHS Conform			
	GN = Green	B = Cross Slotted Screw Type 	B = VDE Approval Please consult EDCON for available	C = TÜV Approval Please consult EDCON for available			
	GY = Gray						
	LG = Light Gray	C = Screwless Type					
	OR = Orange						
	BL = Blue						
BK = Black							

Pluggable Terminal Block (Plug)	
Part No.:	A14H134
Customer:	

DRW:	Jason	CHKD	Wilson	MATL:	Wilson	TOLERANCE	Mason	DATE	25.03.2017
APPD:	Schumi			FINISH	Jamy		Sheet No.		3 from 3