

Data Sheet

SMD Screwless Terminal Block Pitch 5,00mm

Pitch: 5,00 mm

Serie: A11L084

Customer Information for special Item

EDCON Customer : xxxxxx

Customer Version No. : xx

EDCON-COMPONENTS



Technical Description

Electrical:

Rated voltage:
Rated current:
Withstanding Voltage: AC/1min:
Operating Temperature:

UL	IEC	VDE
300V	160V	
10A	13,5A	
2,0KV	2,0KV	

-40°C ~ +105°C

Mechanical:

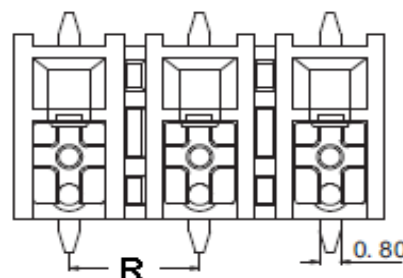
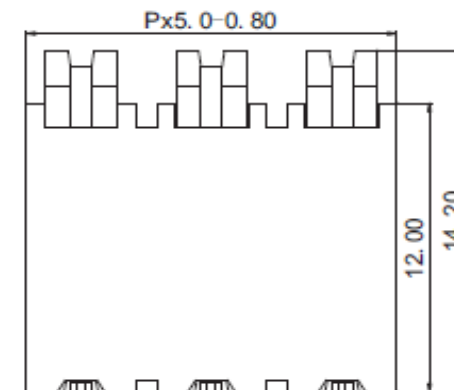
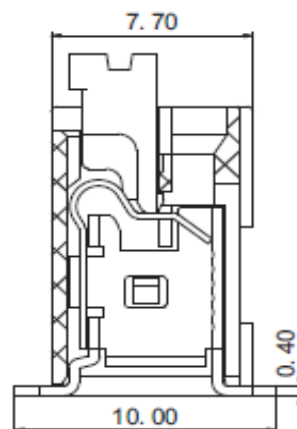
Strip length: mm
Wire range: Solid wire: AWG
Wire range: Stranded wire:AWG

9 ~ 10	9 ~ 10	
16-24	16-24	
16-24	16-24	

Material:

Housing Terminal Body: Thermoplastik UL94V-0
Housing Left-side: Thermoplastik UL94V-0
Housing Right side: Thermoplastik UL94V-0
Lever: Thermoplastik UL94V-0 White RAL9003
Terminal: Copper Matte Tin plated over Nickel
Spring Clamp: Stainless steel

Drawing (Dimension in mm)



Item No.		
1		
2		
3		
4		
5		
6		
7		
8		
9		

Tolerances unless otherwise specified (mm)				
x	x.X	x.XX	x.XXX	Angle
±	±	±	±	±3°
DRW:	Jason	CHKD	Wilson	MATL:
APPD:	Schumi			FINISH

SMD Screwless Terminal Block Pitch 5,00mm	
Part No.:	A11L084
Customer:	

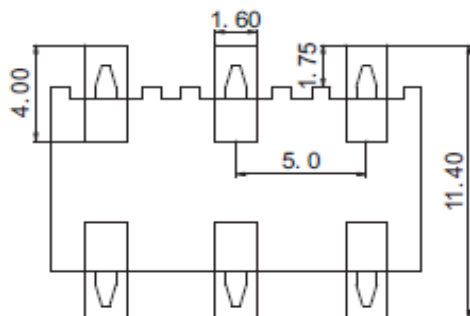
DRW:	Jason	CHKD	Wilson	MATL:	Wilson	TOLERANCE	Mason	DATE	17.03.2018
APPD:	Schumi			FINISH	Jamy		Sheet No.		1 from 4

EDCON-COMPONENTS



PCB Layout Dimension (mm)

TOP-VIEW



Dimensions (mm)

P	Tol. P	R	Tol. P	No. of Pos.
10,80	± 0,35	5,00	± 0,35	02
15,80	± 0,35	10,00	± 0,35	03
20,80	± 0,35	15,00	± 0,35	04
25,80	± 0,35	20,00	± 0,35	05
30,80	± 0,35	25,00	± 0,35	06
35,80	± 0,35	30,00	± 0,35	07
40,80	± 0,35	35,00	± 0,35	08
45,80	± 0,35	40,00	± 0,35	09
50,80	± 0,35	45,00	± 0,35	10
55,80	± 0,35	50,00	± 0,35	11
60,80	± 0,35	55,00	± 0,35	12
65,80	± 0,35	60,00	± 0,35	13
70,80	± 0,35	65,00	± 0,35	14
75,80	± 0,35	70,00	± 0,35	15
80,80	± 0,35	75,00	± 0,35	16
85,80	± 0,35	80,00	± 0,35	17
90,80	± 0,35	85,00	± 0,35	18
95,80	± 0,35	90,00	± 0,35	19
100,80	± 0,35	95,00	± 0,35	20
105,80	± 0,35	100,00	± 0,35	21
110,80	± 0,35	105,00	± 0,35	22
115,80	± 0,35	110,00	± 0,35	23
120,80	± 0,35	115,00	± 0,35	24

**SMD Screwless Terminal Block
Pitch 5,00mm**

Part No.: **A11L084**

Customer:

DRW:	Jason	CHKD	Wilson	MATL:	Wilson	TOLERANCE	Mason	DATE	17.03.2018
APPD:	Schumi			FINISH	Jamy		Sheet No.		2 from 4

www.edcon-components.com

email: info@edcon-components.com

EDCON-COMPONENTS



Ordering Informations

Serie	No. of Pos.	Body Color	Srew Type	Approval Code	ROHS	Packing	EDCON Cust. No.	Customer Version		
A11L084	02	BK	C	N	R	B	xxxxxx	xx		

Pitch
5,00

02= Number of Pos.		C= Screwless Type	N= NON Approval	R= ROHS Conform	B= Standard Package Box/ Polybag	xxxxxx= Customer Number	xx= Customer Version (Printing) ??
Standard 2 ~ 24Pos.			1= UL-Approval for Body Material	N= NON ROHS Conform	I= Individual Package		
			A= UL /UR Approval Please consult EDCON for available				
			B= VDE Approval Please consult EDCON for available				
			C= TÜV Approval Please consult EDCON for available				
	BK= Black						

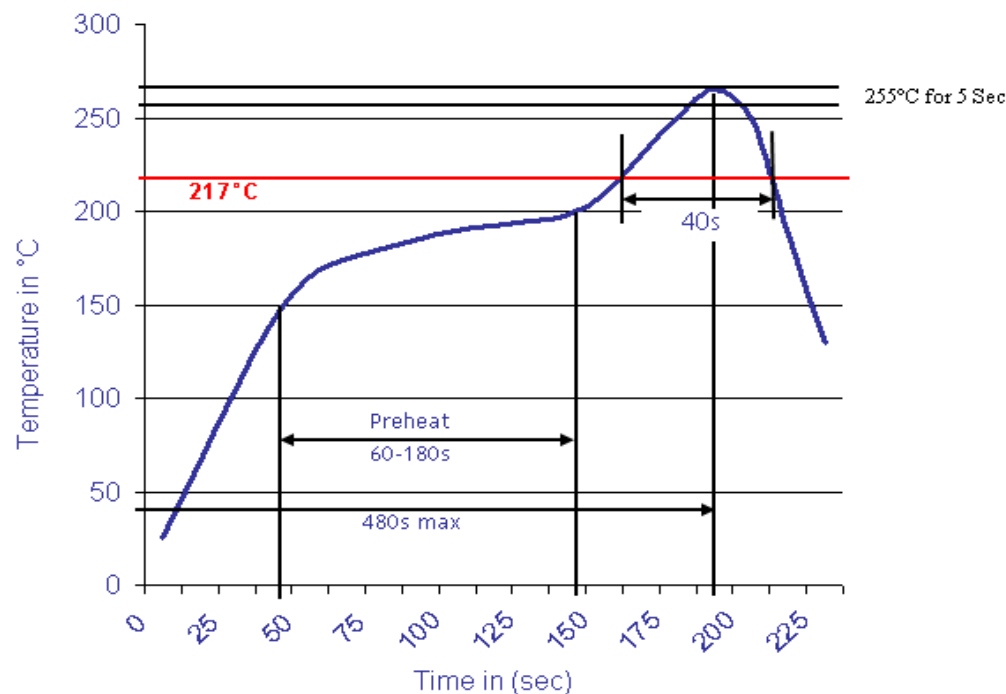
SMD Screwless Terminal Block	
Pitch 5,00mm	
Part No.:	A11L084
Customer:	

DRW:	Jason	CHKD	Wilson	MATL:	Wilson	TOLERANCE	Mason	DATE	17.03.2018
APPD:	Schumi			FINISH	Jamy		Sheet No.		3 from 4



Soldering Profile Curve

Classification Reflow Profile (JEDEC J-STD-020C)



**SMD Screwless Terminal Block
Pitch 5,00mm**

Part No.: **A11L084**

Customer:

DRW:	Jason	CHKD	Wilson	MATL:	Wilson	TOLERANCE	Mason	DATE	17.03.2018
APPD:	Schumi			FINISH	Jamy		Sheet No.	4 from 4	