

EDCON-COMPONENTS



Technical Discription

Electrical

Current Rating: 1,5A
 Voltage Rating: 125VAC
 Insulation Resistance: 1000M Ω min.
 Contact Resistance: 30M Ω max.
 Withstanding Voltage: AC1000V RMS 50/60Hz 1min.

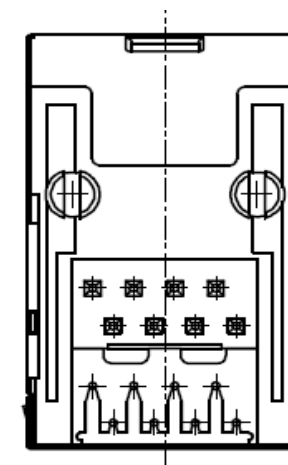
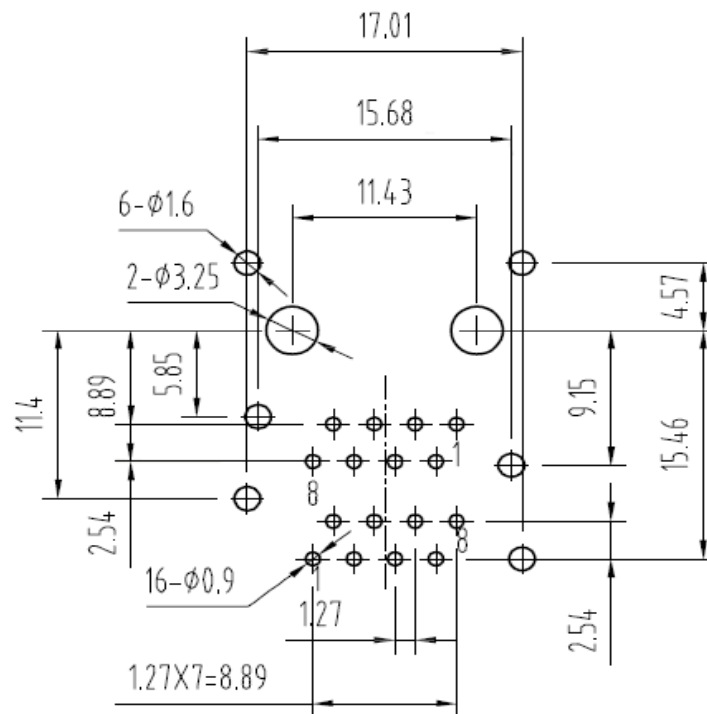
Mechanical

Insertion Force: 2,2Kg.F.max.
 Retention Strength: 7,7Kg.F min.beetween jack a. plug
 Durability: 600 mating cycles min.

Material

Housing: ABS RESIN (UL94V-0)
 PBT(UL94V-0 PA66(UÖ94V-0)
 PA46(UL94V-0)
 Diameter 0,45mm Phosphor
 Bronze Gold Plating over Nickel
 Contact wire: 0,35mm thickness phosphor
 bronze alloy selective Gold plating
 over nickel
 Shield 0,20~0,25mm thickness brass with
 tin plated
 Contact Plating Gold Flash, 3 μ / 6 μ / 15 μ / 30 μ
 50 μ inch
 Working Temperatur . -40°C ~ +70°C

PCB Layout



2x1 PCB Modular Jack with shield

Part No.: **T91A24023-**

Customer:

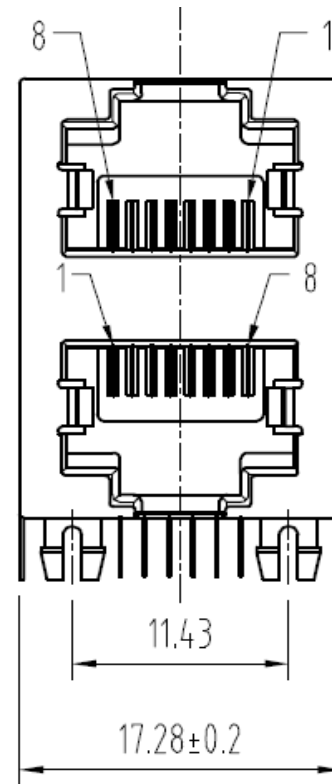
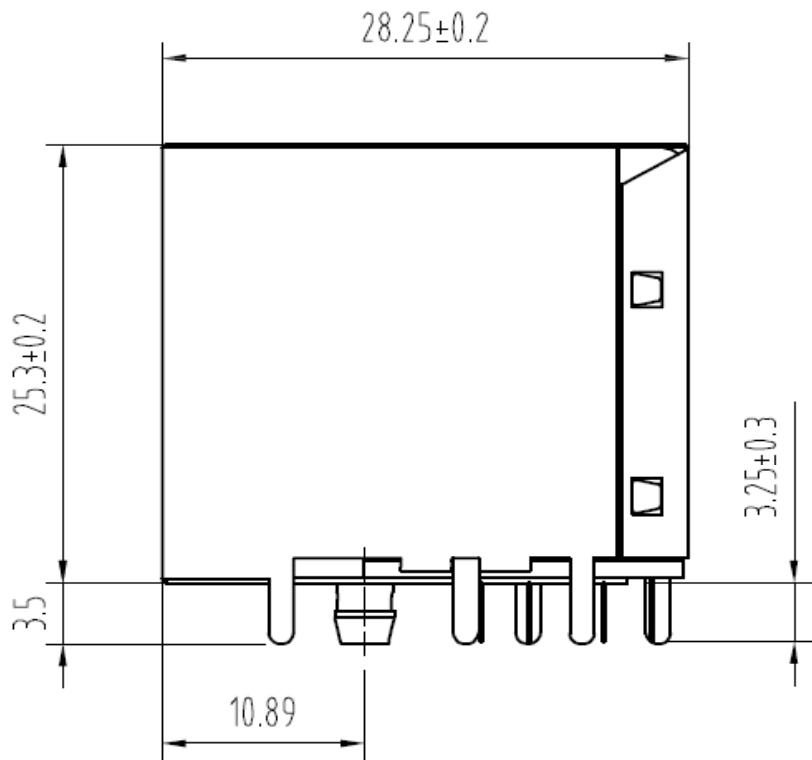
DRW:	John	CHKD	Tony	MATL:	Tony	TOLERANCE	Su	DATE	05.04.2018
APPD:	Jimmy			FINISH	Jeff		Sheet No.		1 from 4

www.edcon-components.com

email: info@edcon-components.com



Technical Drawing



2x1 PCB Modular Jack with shield	
Part No.:	T91A24023-
Customer:	

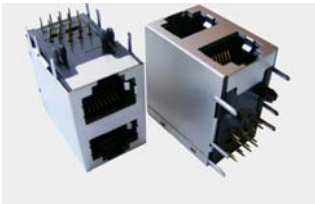
DRW:	John	CHKD	Tony	MATL:	Tony	TOLERANCE	Su	DATE	05.04.2018
APPD:	Jimmy			FINISH	Jeff		Sheet No.	2 from 3	

www.edcon-components.com

email: info@edcon-components.com

Copyright by S.Tiede





Ordering Informations

Serie	No. Of. Positions	No. Of Contact	Contact Plating	Special function	Special function	LED Left Side	LED Right Side	ROHS	Packing	
T91A24023-	10	10	GF	N	N	N	N	R	TY	

10= 10Pos.	10= 10 Pos. connecting	GF= Gold Flash GA= 3 μ Gold Plating GB= 6 μ Gold Plating GC= 15 μ Gold Plating GD= 30 μ Gold Plating GE= 50 μ Gold Plating	N= No special function	N= No special function	N= No special function	N= No special function	R= ROHS conform N= NON ROHS conform	TY= Tray Packing BU= Bulk-Ware
-------------------	-------------------------------	---	-------------------------------	-------------------------------	-------------------------------	-------------------------------	--	---

2x1 PCB Modular Jack with shield
Part No.: T91A24023-
Customer:

DRW:	John	CHKD	Tony	MATL:	Tony	TOLERANCE	Su	DATE	05.04.2018
APPD:	Jimmy			FINISH	Jeff		Sheet No.		3 from 4

www.edcon-components.com

email: info@edcon-components.com

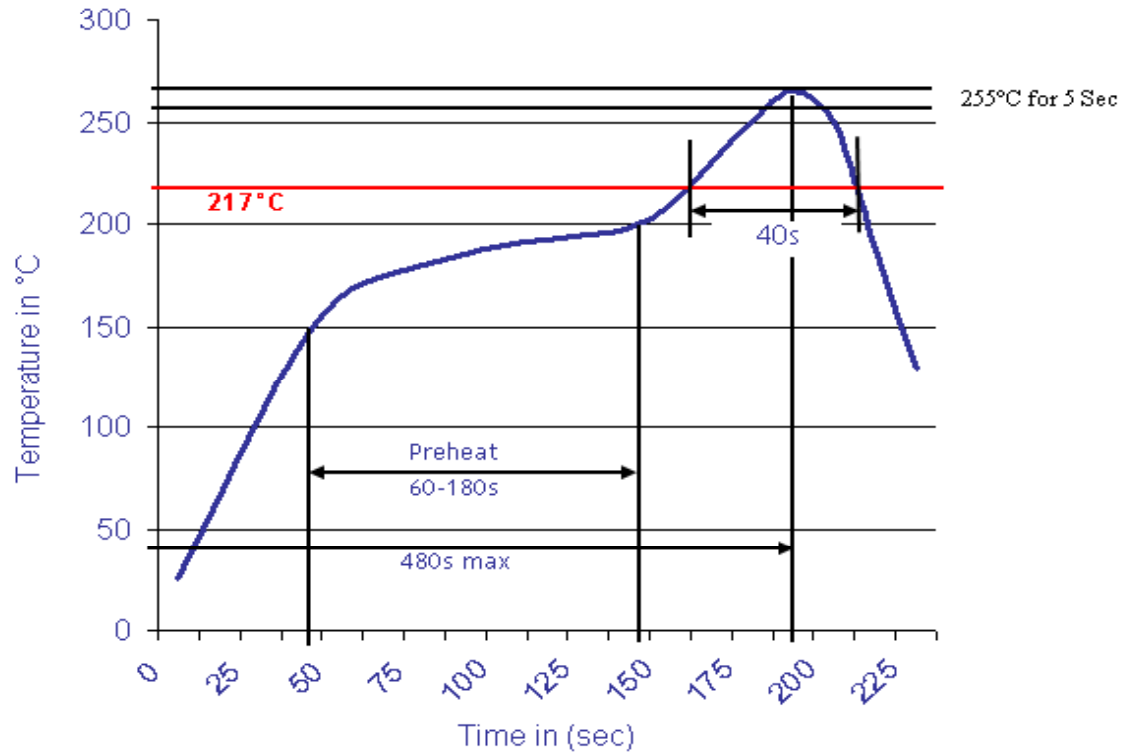
Copyright by S.Tiede
EDCON-COMPONENTS





Soldering Profile Curve

Classification Reflow Profile (JEDEC J-STD-020C)



**2x1 PCB Modular Jack
with shield**

Part No.: **T91A24023-**

DRW:	John	CHKD	Tony	MATL:	Tony	TOLERANCE	Su	DATE	05.04.2018
APPD:	Jimmy			FINISH	Jeff		Sheet No.	4 from 4	

Customer: