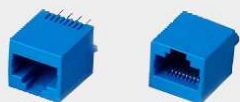


EDCON-COMPONENTS



Technical Discription

Electrical

Current Rating:	1,5A
Voltage Rating:	125VAC
Insulation Resistance:	100M Ω min.
Contact Resistance:	30m Ω max.
Withstanding Voltage:	AC1000V RMS 50/60Hz 1min.

Mechanical

Insertion Force:	2,2Kg.F.max.
Retention Strength:	7,7Kg.F min.beetween jack a. plug
Durability:	750 mating cycles min.

Material

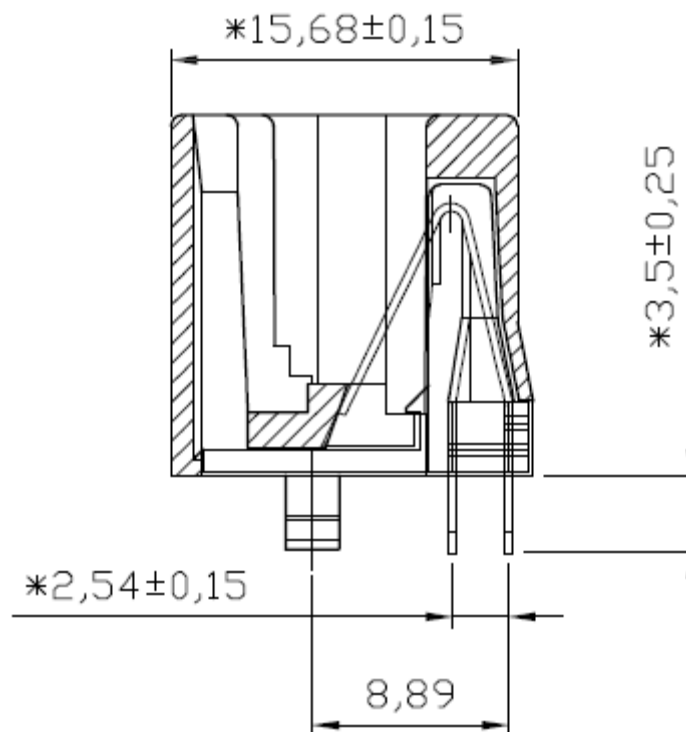
Housing:	ABS RESIN (UL94V-0) PBT(UL94V-0 PA66(UÖ94V-0) PA46(UL94V-0)
----------	---

Contact wire:	Diameter 0,30mm Phosphor Bronze Gold Plating over Nickel
---------------	---

Contact Plating	Gold Flash, 3 μ / 6 μ / 15 μ / 30 μ 50 μ inch
-----------------	--

Working Temperatur . -0°C ~ +70°C

Technical Drawing



**1 Port PCB Modular Jack
w/o shield w/o flange**

Part No.: **T91A11063-**

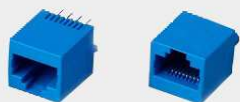
Customer:

DRW:	John	CHKD	Tony	MATL:	Tony	TOLERANCE	Su	DATE	27.12.2015
APPD:	Jimmy			FINISH	Jeff		Sheet No.		1 from 4

www.edcon-components.com

email: info@edcon-components.com

EDCON-COMPONENTS



Ordering Informations

Serie	No. Of. Positions	No. Of Contact	Contact Plating	Special function	Body Colour	ROHS	Packing			
T91A11063-	8	8	GF	N	BL	R	TY			

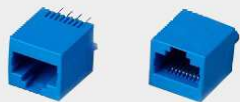
8= 8Pos.	8= 8Pos. connecting	GF= Gold Flash	N= without Flange	BL= Blue	R= ROHS conform	TY= Tray Packing
		GA= 3µGold Plating			N= NON ROHS conform	BU= Bulk-Ware
		GB= 6µGold Plating				
		GC= 15µGold Plating				
		GD= 30µGold Plating				
		GE= 50µGold Plating				

**1 Port PCB Modular Jack
w/o shield w/o flange**

Part No.: **T91A11063-**

DRW:	John	CHKD	Tony	MATL:	Tony	TOLERANCE	Su	DATE	27.12.2015
APPD:	Jimmy			FINISH	Jeff		Sheet No.		3 from 4

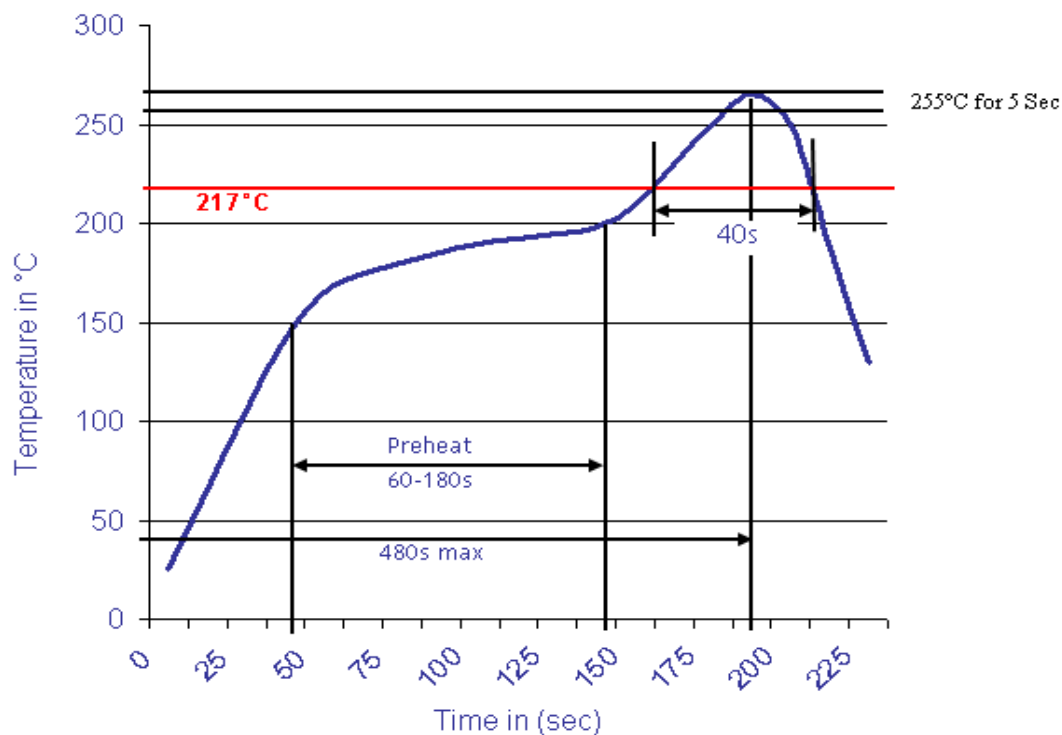
Customer:



Soldering Profile Curve

Lead Free Soldering Curve

Classification Reflow Profile (JEDEC J-STD-020C)



**1 Port PCB Modular Jack
w/o shield w/o flange**

Part No.: **T91A11063-**

DRW:	John	CHKD	Tony	MATL:	Tony	TOLERANCE	Su	DATE	27.12.2015	Customer:
APPD:	Jimmy			FINISH	Jeff		Sheet No.	4 from 4		