

EDCON-COMPONENTS



Technical Discription

Electrical

Current Rating: 1,5A
 Voltage Rating: 125VAC
 Insulation Resistance: 100M Ω min.
 Contact Resistance: 30m Ω max.
 Withstanding Voltage: AC1000V RMS 50/60Hz 1min.

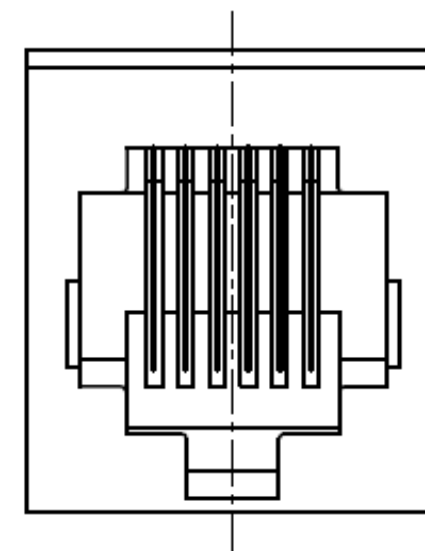
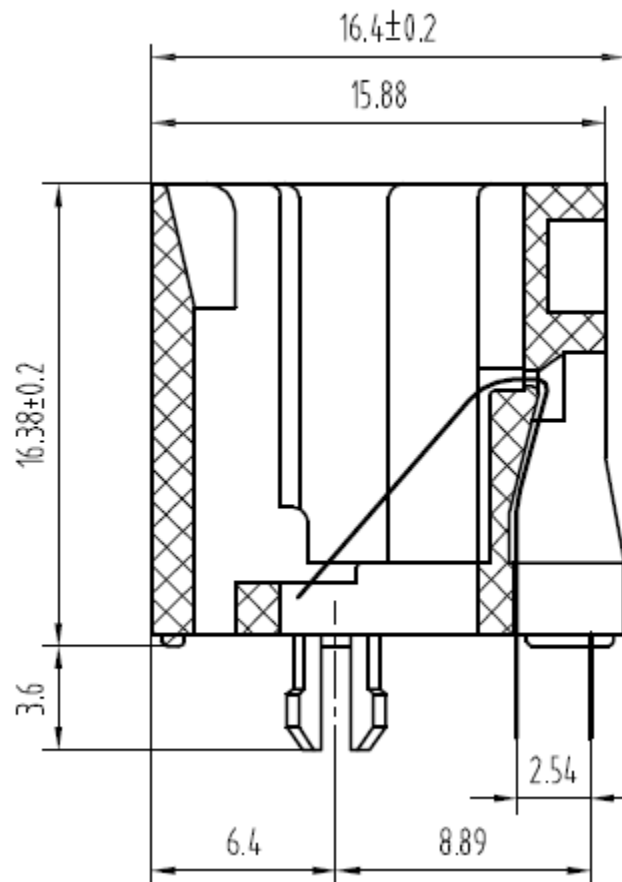
Mechanical

Insertion Force: 2,2Kg.F.max.
 Retention Strength: 7,7Kg.F min.beetween jack a. plug
 Durability: 750 mating cycles min.

Material

Housing: ABS RESIN (UL94V-0)
 PBT(UL94V-0 PA66(UÖ94V-0)
 PA46(UL94V-0)
 Contact wire: Diameter 0,30mm Phosphor
 Bronze Gold Plating over Nickel
 Contact Plating Gold Flash, 3 μ / 6 μ / 15 μ / 30 μ 50 μ
 inch
 Working Temperatur . -0°C ~ +70°C

Technical Drawing



**1 Port PCB Modular Jack
 w/o shield w/o. flange**

Part No.: **T91A11060-**

Customer:

DRW:	John	CHKD	Tony	MATL:	Tony	TOLERANCE	Su	DATE	27.12.2015
APPD:	Jimmy			FINISH	Jeff		Sheet No.		1 from 4

www.edcon-components.com

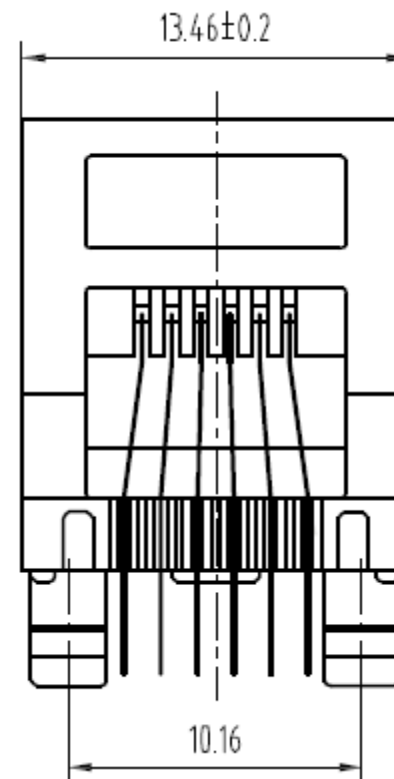
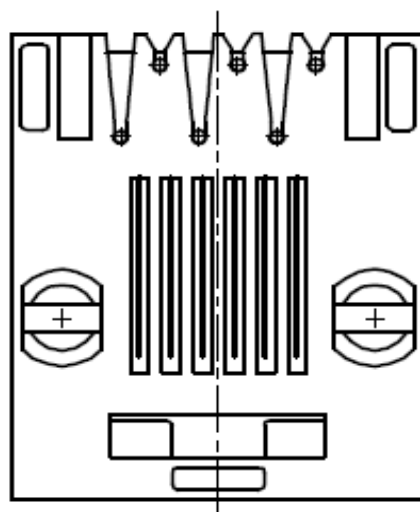
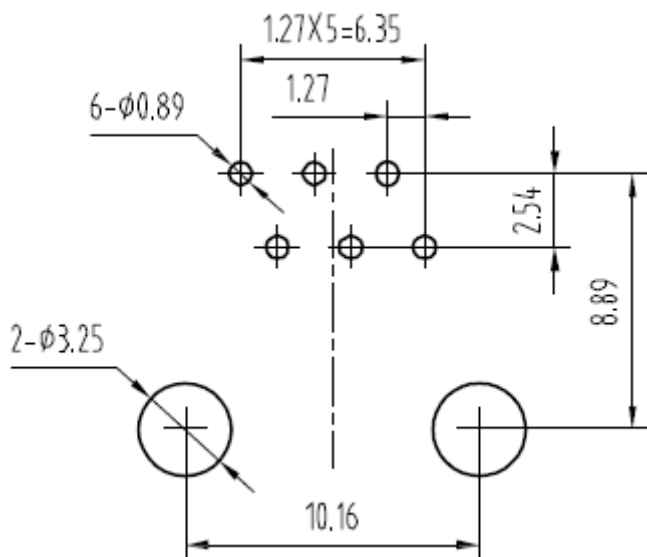
email: info@edcon-components.com

EDCON-COMPONENTS



Technical Drawing

PCB Layout



**1 Port PCB Modular Jack
w/o shield w/o. flange**

Part No.: **T91A11060-**

DRW:	John	CHKD	Tony	MATL:	Tony	TOLERANCE	Su	DATE	27.12.2015
APPD:	Jimmy			FINISH	Jeff		Sheet No.	2 from 4	

Customer:

EDCON-COMPONENTS



Ordering Informations

Serie	No. Of. Positions	No. Of Contact	Contact Plating	Special function	Body Colour	ROHS	Packing			
T91A11060-	6	6	GF	N	BK	R	TY			

6= 6Pos.	6= 6Pos. connecting	GF= Gold Flash	N= without Flange	BK= Black	R= ROHS conform	TY= Tray Packing
		GA= 3µGold Plating			N= NON ROHS conform	BU= Bulk-Ware
		GB= 6µGold Plating				
		GC= 15µGold Plating				
		GD= 30µGold Plating				
		GE= 50µGold Plating				

1 Port PCB Modular Jack w/o shield w/o. flange
Part No.: T91A11060-
Customer:

DRW:	John	CHKD	Tony	MATL:	Tony	TOLERANCE	Su	DATE	27.12.2015
APPD:	Jimmy			FINISH	Jeff		Sheet No.		3 from 4

www.edcon-components.com

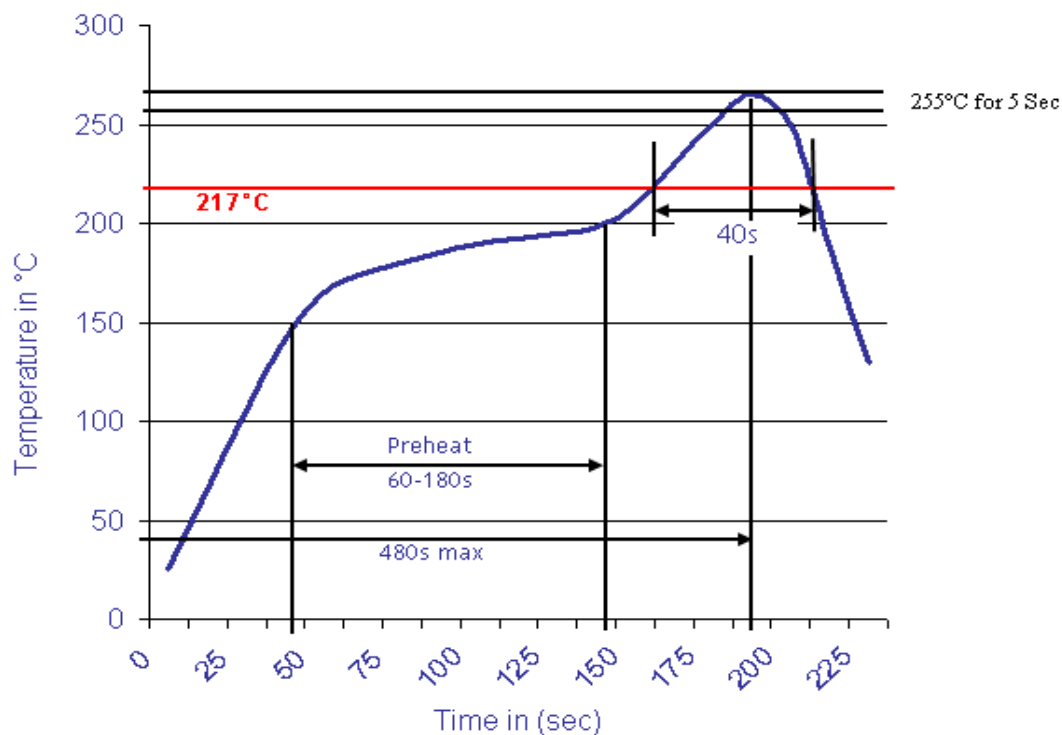
email: info@edcon-components.com



Soldering Profile Curve

Lead Free Soldering Curve

Classification Reflow Profile (JEDEC J-STD-020C)



**1 Port PCB Modular Jack
w/o shield w/o. flange**

Part No.: **T91A11060-**

DRW:	John	CHKD	Tony	MATL:	Tony	TOLERANCE	Su	DATE	27.12.2015
APPD:	Jimmy			FINISH	Jeff		Sheet No.	4 from 4	

Customer: