

# EDCON-COMPONENTS



## Technical Discription

### Electrical

Current Rating: 1,5A  
 Voltage Rating: 125VAC  
 Insulation Resistance: 100M  $\Omega$  min.  
 Contact Resistance: 30m  $\Omega$  max.  
 Withstanding Voltage: AC1000V RMS 50/60Hz 1min.

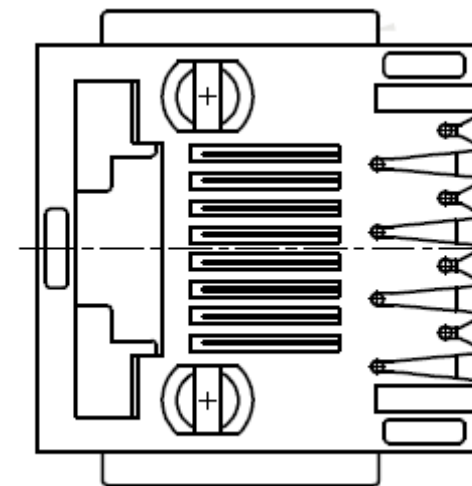
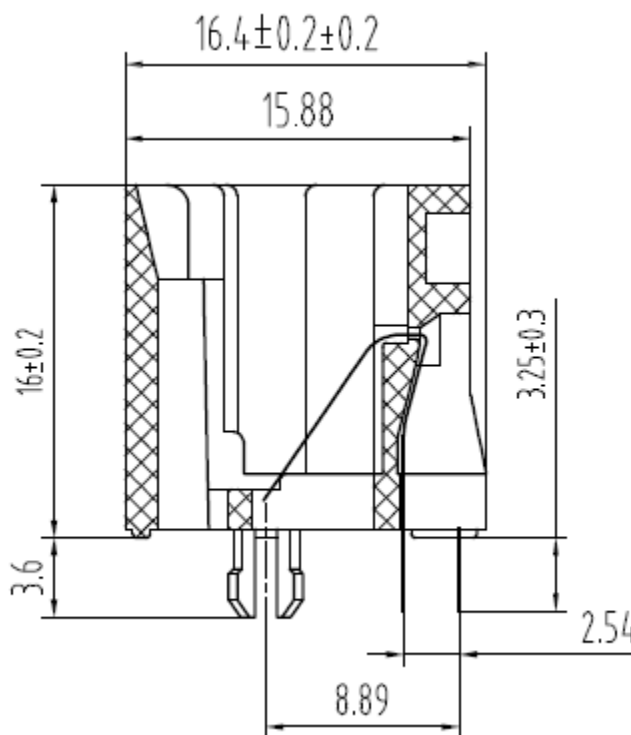
### Mechanical

Insertion Force: 2,2Kg.F.max.  
 Retention Strength: 7,7Kg.F min.between jack a. plug  
 Durability: 750 mating cycles min.

### Material

Housing: ABS RESIN (UL94V-0)  
 PBT(UL94V-0 PA66(UÖ94V-0)  
 PA46(UL94V-0)  
 Contact wire: Diameter 0,30mm Phosphor  
 Bronze Gold Plating over Nickel  
 Contact Plating Gold Flash, 3 $\mu$  / 6 $\mu$  / 15 $\mu$  / 30 $\mu$  50 $\mu$   
 inch  
 Working Temperatur . -0°C ~ +70°C

## Technical Drawing



**1 Port PCB Modular Jack  
 w/o shield w/o. flange**

Part No.: **T91A11059-**

Customer:

DRW:	John	CHKD	Tony	MATL:	Tony	TOLERANCE	Su	DATE	27.12.2015
APPD:	Jimmy			FINISH	Jeff		Sheet No.		1 from 4

[www.edcon-components.com](http://www.edcon-components.com)

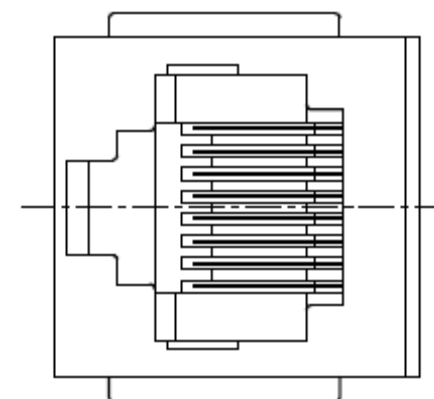
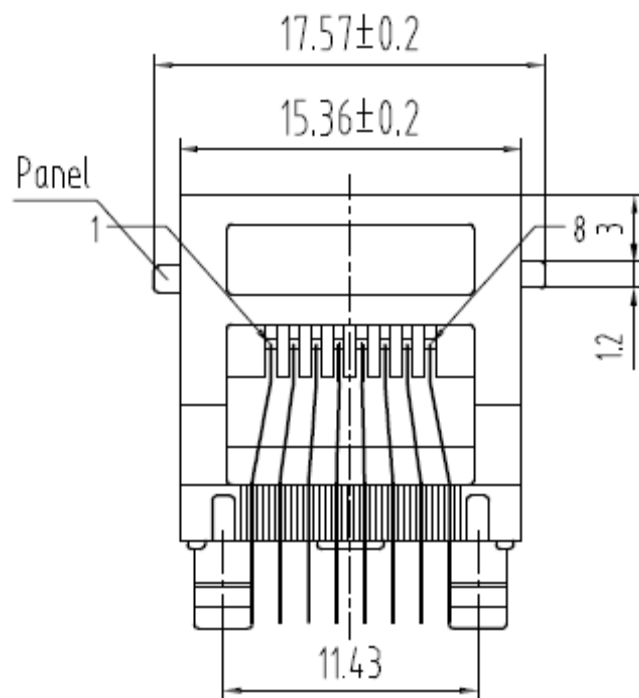
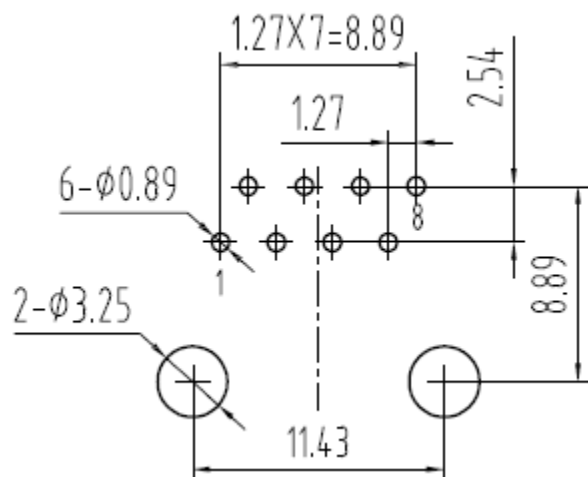
email: [info@edcon-components.com](mailto:info@edcon-components.com)

# EDCON-COMPONENTS



## Technical Drawing

### PCB Layout



**1 Port PCB Modular Jack  
w/o shield w/o. flange**

Part No.: **T91A11059-**

DRW:	John	CHKD	Tony	MATL:	Tony	TOLERANCE	Su	DATE	27.12.2015
APPD:	Jimmy			FINISH	Jeff		Sheet No.		2 from 4

Customer:

# EDCON-COMPONENTS



## Ordering Informations

Serie	No. Of. Positions	No. Of Contact	Contact Plating	Special function	Body Colour	ROHS	Packing			
<b>T91A11059-</b>	<b>8</b>	<b>8</b>	<b>GF</b>	<b>Y</b>	<b>BK</b>	<b>R</b>	<b>TY</b>			

<b>8=</b> 8Pos.	<b>8=</b> 8Pos. connecting	<b>GF=</b> Gold Flash	<b>Y=</b> with Flange	<b>BK=</b> Black	<b>R=</b> ROHS conform	<b>TY=</b> Tray Packing
		<b>GA=</b> 3µGold Plating			<b>N=</b> NON ROHS conform	<b>BU=</b> Bulk-Ware
		<b>GB=</b> 6µGold Plating				
		<b>GC=</b> 15µGold Plating				
		<b>GD=</b> 30µGold Plating				
		<b>GE=</b> 50µGold Plating				

**1 Port PCB Modular Jack  
w/o shield w/o. flange**

Part No.: **T91A11059-**

DRW:	John	CHKD	Tony	MATL:	Tony	TOLERANCE	Su	DATE	27.12.2015
APPD:	Jimmy			FINISH	Jeff		Sheet No.		3 from 4

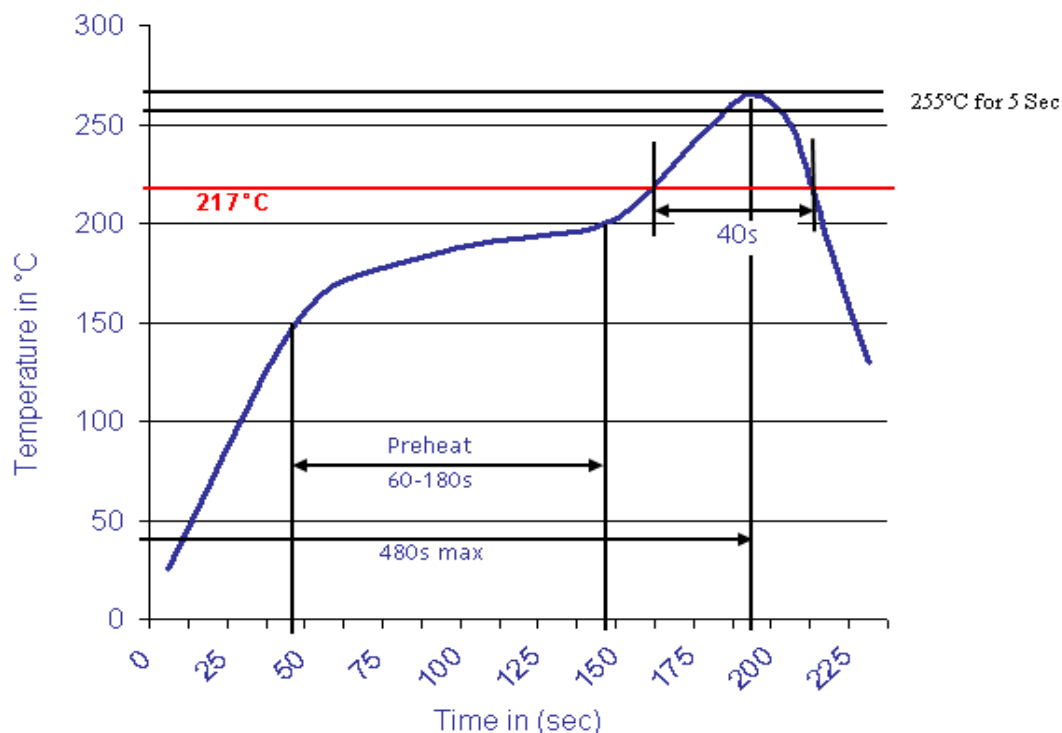
Customer:



Soldering Profile Curve

Lead Free Soldering Curve

Classification Reflow Profile (JEDEC J-STD-020C)



**1 Port PCB Modular Jack  
w/o shield w/o. flange**

Part No.: **T91A11059-**

DRW:	John	CHKD	Tony	MATL:	Tony	TOLERANCE	Su	DATE	27.12.2015
APPD:	Jimmy			FINISH	Jeff		Sheet No.	4 from 4	

Customer: