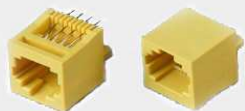


EDCON-COMPONENTS



Technical Discription

Electrical

Current Rating: 1,5A
 Voltage Rating: 125VAC
 Insulation Resistance: 100M Ω min.
 Contact Resistance: 30m Ω max.
 Withstanding Voltage: AC1000V RMS 50/60Hz 1min.

Mechanical

Insertion Force: 2,2Kg.F.max.
 Retention Strength: 7,7Kg.F min.between jack a. plug
 Durability: 750 mating cycles min.

Material

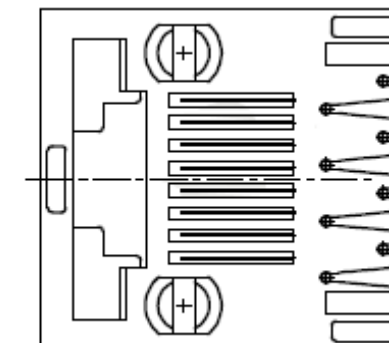
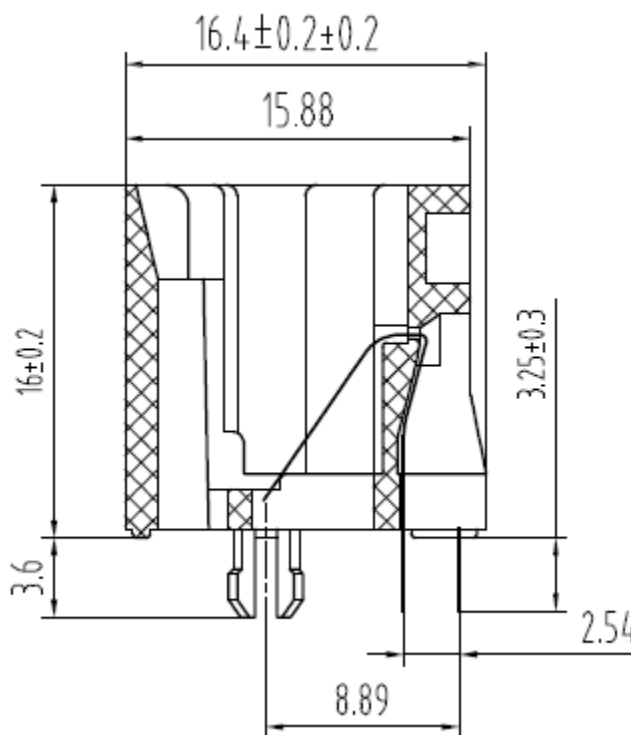
Housing: ABS RESIN (UL94V-0)
 PBT(UL94V-0 PA66(UÖ94V-0)
 PA46(UL94V-0)

Contact wire: Diameter 0,30mm Phosphor
 Bronze Gold Plating over Nickel

Contact Plating Gold Flash, 3 μ / 6 μ / 15 μ / 30 μ 50 μ
 inch

Working Temperatur . -0°C ~ +70°C

Technical Drawing



**1 Port PCB Modular Jack
 w/o shield w/o. flange**

Part No.: **T91A11058-**

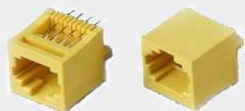
Customer:

| | | | | | | | | | |
|-------|-------|------|------|--------|------|-----------|-----------|------|------------|
| DRW: | John | CHKD | Tony | MATL: | Tony | TOLERANCE | Su | DATE | 27.12.2015 |
| APPD: | Jimmy | | | FINISH | Jeff | | Sheet No. | | 1 from 4 |

www.edcon-components.com

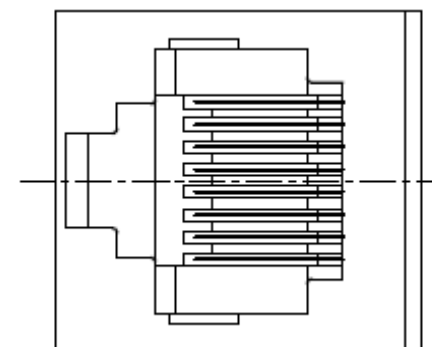
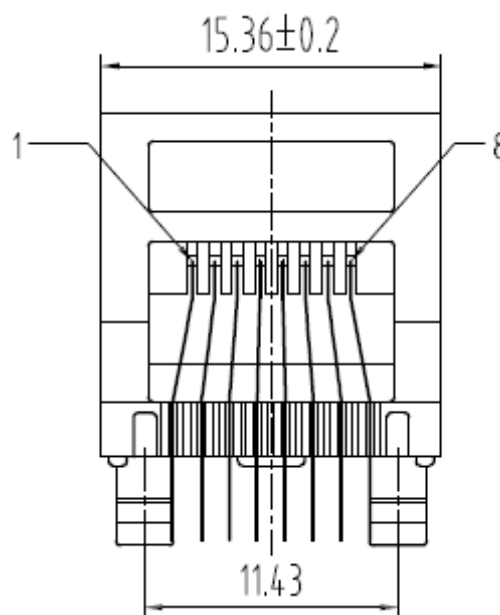
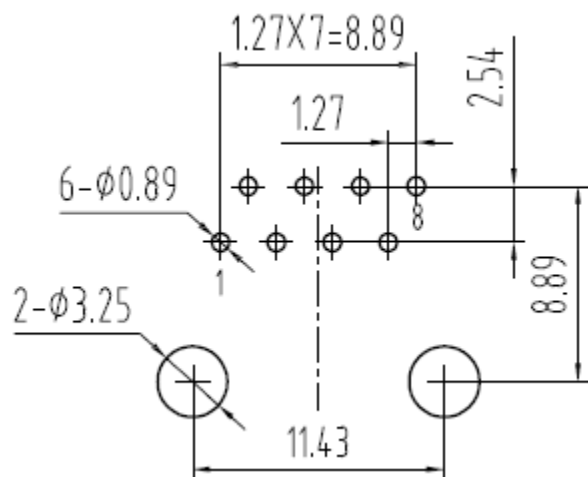
email: info@edcon-components.com

EDCON-COMPONENTS



Technical Drawing

PCB Layout



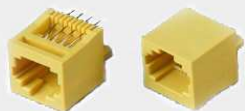
**1 Port PCB Modular Jack
w/o shield w/o. flange**

Part No.: **T91A11058-**

| | | | | | | | | | |
|-------|-------|------|------|--------|------|-----------|-----------|----------|------------|
| DRW: | John | CHKD | Tony | MATL: | Tony | TOLERANCE | Su | DATE | 27.12.2015 |
| APPD: | Jimmy | | | FINISH | Jeff | | Sheet No. | 2 from 4 | |

Customer:

EDCON-COMPONENTS



Ordering Informations

| Serie | No. Of. Positions | No. Of Contact | Contact Plating | Special function | Body Colour | ROHS | Packing | | | |
|-------------------|-------------------|----------------|-----------------|------------------|-------------|----------|-----------|--|--|--|
| T91A11058- | 8 | 8 | GF | N | YE | R | TY | | | |

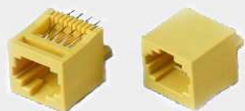
| | | | | | | |
|-----------------|----------------------------|----------------------------|--------------------------|-------------------|----------------------------|-------------------------|
| 8= 8Pos. | 8= 8Pos. connecting | GF= Gold Flash | N= without Flange | YE= Yellow | R= ROHS conform | TY= Tray Packing |
| | | GA= 3µGold Plating | | | N= NON ROHS conform | BU= Bulk-Ware |
| | | GB= 6µGold Plating | | | | |
| | | GC= 15µGold Plating | | | | |
| | | GD= 30µGold Plating | | | | |
| | | GE= 50µGold Plating | | | | |

| |
|---|
| 1 Port PCB Modular Jack w/o shield w/o. flange |
| Part No.: T91A11058- |
| Customer: |

| | | | | | | | | | |
|-------|-------|------|------|--------|------|-----------|-----------|------|------------|
| DRW: | John | CHKD | Tony | MATL: | Tony | TOLERANCE | Su | DATE | 27.12.2015 |
| APPD: | Jimmy | | | FINISH | Jeff | | Sheet No. | | 3 from 4 |

www.edcon-components.com

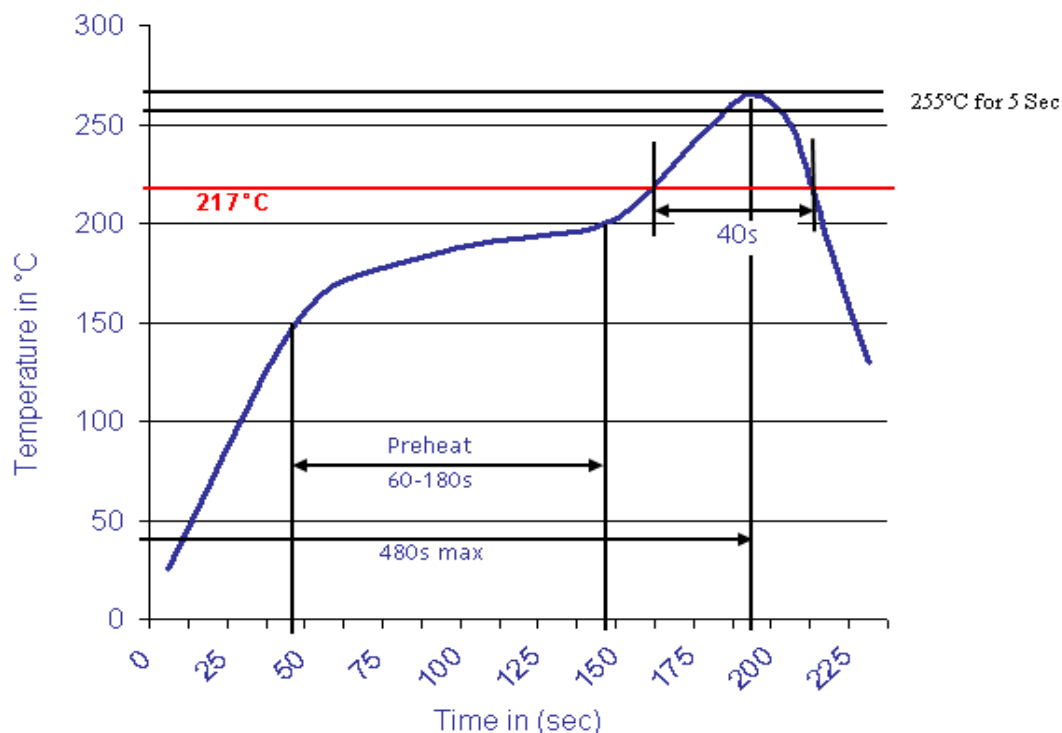
email: info@edcon-components.com



Soldering Profile Curve

Lead Free Soldering Curve

Classification Reflow Profile (JEDEC J-STD-020C)



**1 Port PCB Modular Jack
w/o shield w/o. flange**

Part No.: **T91A11058-**

| | | | | | | | | | |
|-------|-------|------|------|--------|------|-----------|-----------|----------|------------|
| DRW: | John | CHKD | Tony | MATL: | Tony | TOLERANCE | Su | DATE | 27.12.2015 |
| APPD: | Jimmy | | | FINISH | Jeff | | Sheet No. | 4 from 4 | |

Customer: