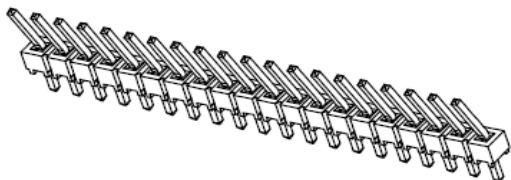


EDCON-COMPONENTS



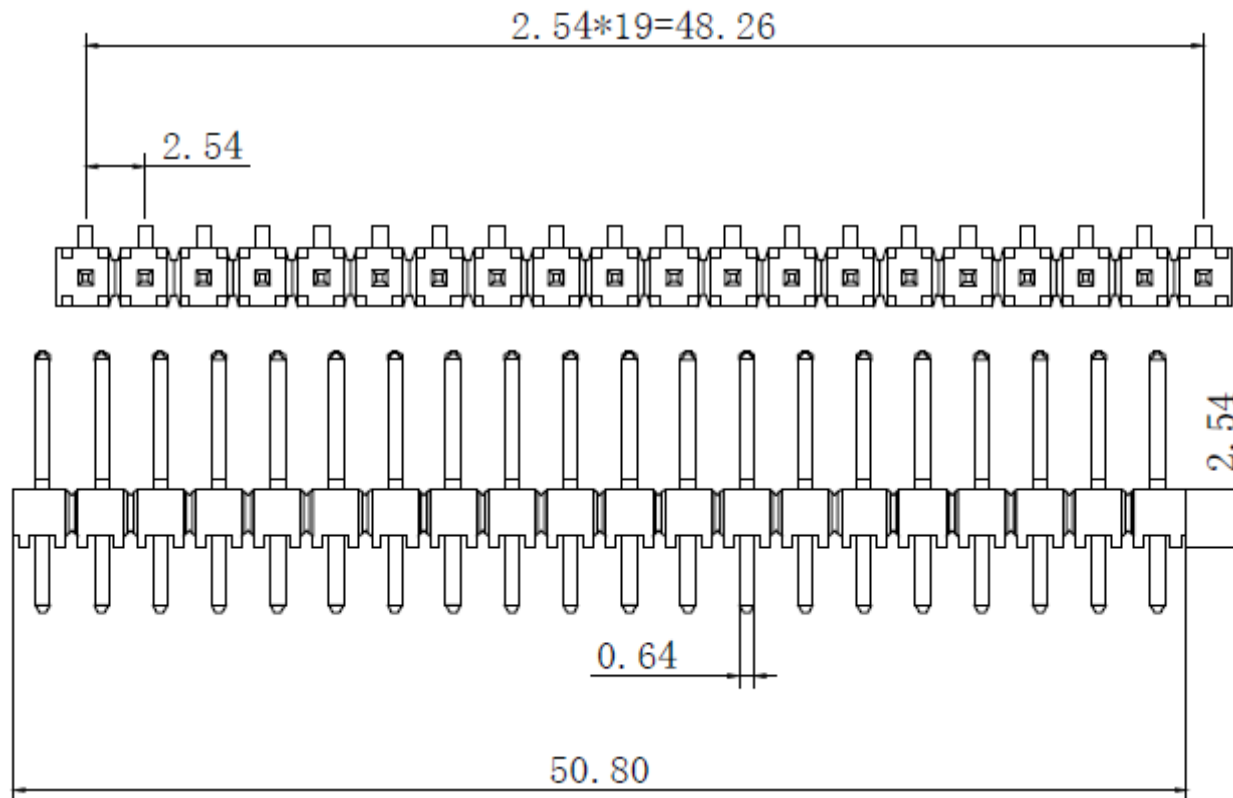
Specifications

Current Rating:	3 Ampere
Insulator Resistance:	5000 Megaohm min.
Contact Resistance	20m Ohm max.
Dielectric Withstanding:	AC 500V
Operating Temperature:	.-65°C to +125°C
Contact Material:	Brass
Insulator Material:	Polyester, UL 94V-0
Standard:	PBT
Contact Plating:	Tin, Gold or Selective Plated
Standard:	Gold Flash Overall

P.C.B Layout



Drawing



Male Header Pitch 2,54mm

Part No.: **T51A1075-**

Customer:

DRW:	Jason	CHKD	Wilson	MATL:	Wilson	TOLERANCE	Mason	DATE	01.10.2017
APPD:	Schumi			FINISH	Jamy		Sheet No.	1 from 4	

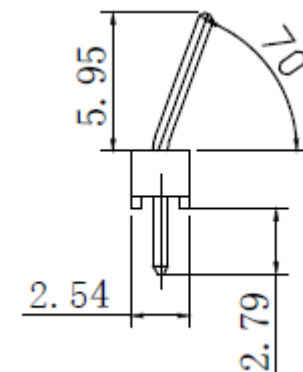
EDCON-COMPONENTS



Pin Code length table free configuration

Order Code	Dimension (mm)			
	A	B		
A01	5,95	2,79		
A02				
A03				
A04				
A05				
A06				
A07				
A08				
A09				
A10				
A11				
A12				
A13				
A14				
A15				
A16				
A17				
A18				
A19				
A20				
A21				
A22				

Order Code	Dimension (mm)			
	A	B		
A23				
A24				
A25				
A26				
A27				
A28				
A29				
A30				
A31				
A32				
A33				
A34				
A35				
A36				
A37				
A38				
A39				
A40				
A41				
A42				
A43				
A44				



Male Header Pitch 2,54mm

						X=	X.X=	X.XX=	X.XXX=	Part No.:
DRW:	Jason	CHKD	Wilson	MATL:	Wilson	±0,35	±0,25	±0,20	±0,15	T51A1075-
APPD:	Schumi			FINISH	Jamy	TOLERANCE	Mason	DATE	01.10.2017	Customer:
						Sheet No.			2 from 4	

EDCON-COMPONENTS



Ordering Informations

Serie	No. of Pos.	Construction	Contact Plating	Material	Special function	Pin Length Code	ROHS	Packing		
T51A1075-	XX	RT	G0	PB	2	A01	R	BU		

02 ~ 40Pos.	RT= Right angle THT	G0= Gold Flash (Standard)	PB= P.B.T	2= Plastic Thickness 2,54mm	look Table No. 1	N= NO ROHS conform	BU= Bulk (Standard)
		T0= Tin plated	NY= Nylon-6T				R= ROHS conform
		T0= Tin plated	PA= PA-46				TC= Tube w. pic and Place Cap
		GA= 3μ Gold Plating	LC= LCP				TY= Tray packing w/o Cap
		GB= 5μ Gold Plating					TR= Tape/Reel w. pic and Place Cap
		GC= 10μ Gold Plating					
		GD= 15μ Gold Plating					
		GE= 20μ Gold Plating					
		GF= 30μ Gold Plating					
		S0= Selectiv Plating Gold Flash / Tin					

Male Header Pitch 2,54mm

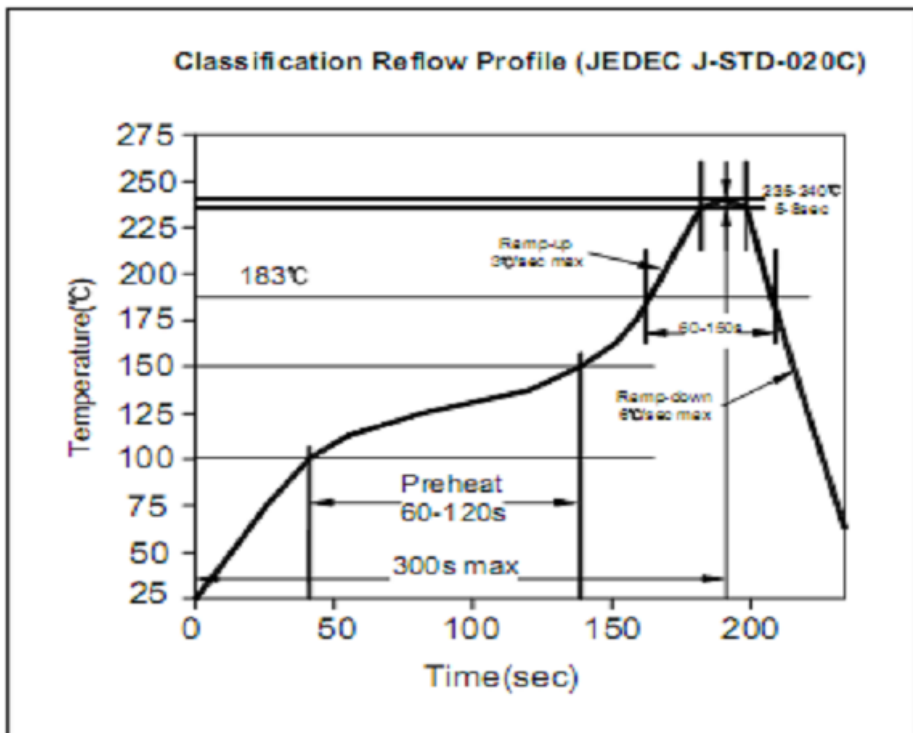
Part No.: **T51A1075-**

DRW:	Jason	CHKD	Wilson	MATL:	Wilson	TOLERANCE	Mason	DATE	01.10.2017
APPD:	Schumi			FINISH	Jamy		Sheet No.		3 from 4

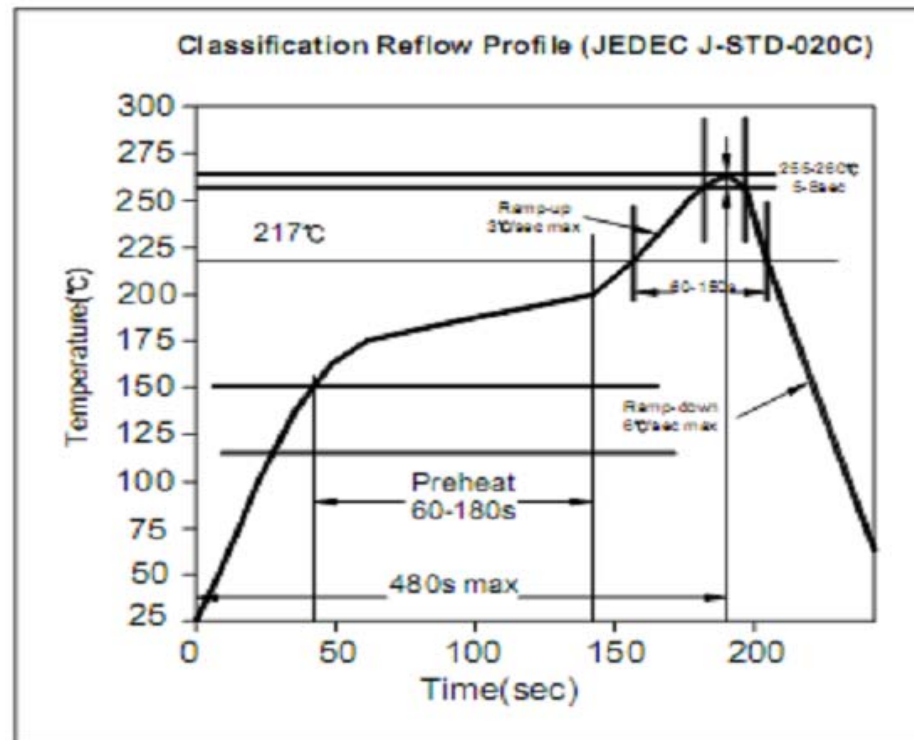
Customer:



Soldering Profile for Lead Soldering (P.B.T.)



Soldering Profile for Lead Free Soldering (Nylon 6T)



Male Header Pitch 2,54mm

Part No.: T51A1075-

DRW:	Jason	CHKD	Wilson	MATL:	Wilson	TOLERANCE	Mason	DATE	01.10.2017
APPD:	Schumi			FINISH	Jamy		Sheet No.	4 from 4	Customer: