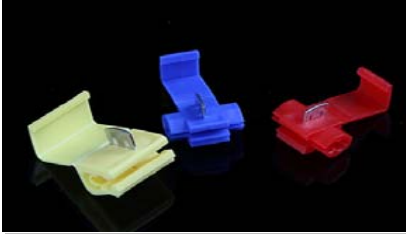


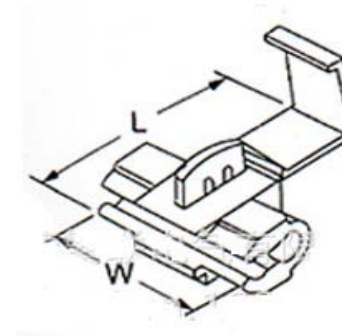
# EDCON-COMPONENTS



## Technical Discription

Contact Material: Brass (Tin Plated)  
 AWG-Size: like Order Code

## Drawing



Order Code	AWG	mm <sup>2</sup>	W mm	L mm	Current	Colour
<b>A01</b>	22~18	0,5~1,0	19,3	32,0	10A	Red
<b>A02</b>	18~14	0,75~2,5	19,3	32,0	15A	Blue
<b>A03</b>	12	4	19,3	32,0	24A	Yellow

**Quick-Connect Terminal  
 Faston 6,3mm ( 250)**

Part No.:

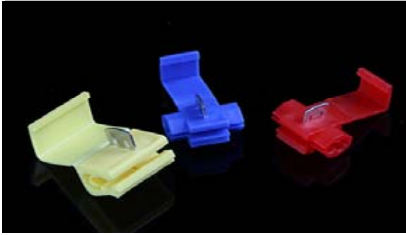
DRW:	Jason	CHKD	Wilson	MATL:	Wilson	TOLERANCE	Mason	DATE	12.03.2019
APPD:	Schumi			FINISH	Jamy		Sheet No.		1 from 2

Customer:

[www.edcon-components.com](http://www.edcon-components.com)

email: [info@edcon-components.com](mailto:info@edcon-components.com)

# EDCON-COMPONENTS



## Ordering Informations

### Terminal

Serie	Order Code	Contact Material	Contact Plating	Special function	ROHS	Packing
-------	------------	------------------	-----------------	------------------	------	---------

N38206	- Axx	BR1	TN	0	R	BU
--------	-------	-----	----	---	---	----

<b>Axx</b> = like order Code	<b>BR1</b> = Brass H62	<b>TN</b> = Tinned	<b>N</b> = No special function	<b>R</b> = ROHS Conform <b>N</b> = NON ROHS Conform	<b>BU</b> = Bulk-Ware
------------------------------	------------------------	--------------------	--------------------------------	--	-----------------------

**Quick-Connect Terminal  
Faston 6,3mm ( 250)**

Part No.: **N38206**

DRW:	Jason	CHKD	Wilson	MATL:	Wilson	TOLERANCE	Mason	DATE	12.03.2019	Customer:
APPD:	Schumi			FINISH	Jamy		Sheet No.	2 from 2		