

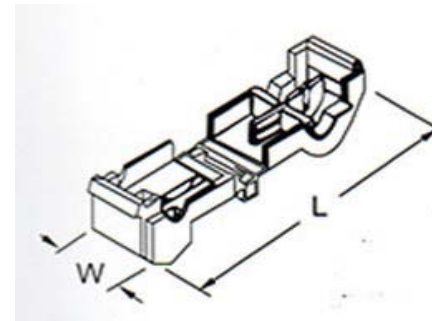
EDCON-COMPONENTS



Technical Discription

Contact Material: Brass (Tin Plated)
 AWG-Size: like Order Code

Drawing



Order Code	AWG	mm ²	W mm	L mm	Current	Colour
A01	22~18	0,5~1,0	9,8	37,0	10A	Red
A02	18~14	0,75~2,5	9,8	37,0	15A	Blue
A03	12	4	9,8	37,0	20A	Yellow

**Quick-Connect Terminal
 Faston 6,3mm (250)**

Part No.:

DRW:	Jason	CHKD	Wilson	MATL:	Wilson	TOLERANCE	Mason	DATE	12.03.2019
APPD:	Schumi			FINISH	Jamy		Sheet No.		1 from 2

Customer:

www.edcon-components.com

email: info@edcon-components.com

EDCON-COMPONENTS



Ordering Informations

Terminal

Serie	Order Code	Contact Material	Contact Plating	Special function	ROHS	Packing
N38205	Axx	BR1	TN	0	R	BU
Axx= like order Code		BR1= Brass H62	TN= Tinned	N= No special function	R= ROHS Conform N= NON ROHS Conform	BU= Bulk-Ware

Quick-Connect Terminal Faston 6,3mm (250)	
Part No.:	N38205
Customer:	

DRW:	Jason	CHKD	Wilson	MATL:	Wilson	TOLERANCE	Mason	DATE	12.03.2019
APPD:	Schumi			FINISH	Jamy		Sheet No.	2 from 2	