

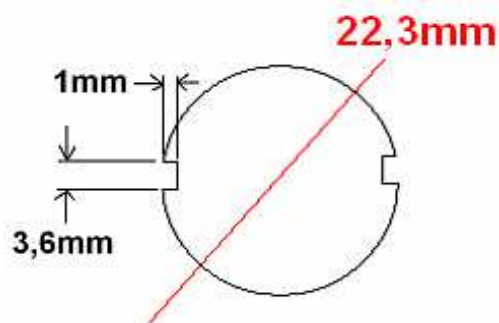
# EDCON-COMPONENTS



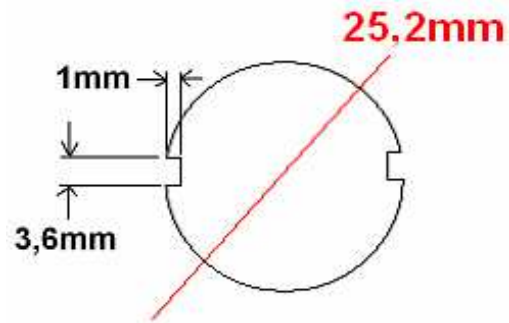
## Technical Informations

Material: ABS or Polycarbonat  
 Temperatur Range: ABS = -40°C ~ + 85°C  
 Temperatur Range: PC = -40°C ~ + 120°C  
 Protection Degree: IP67

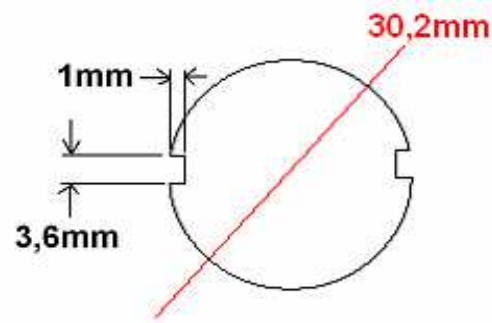
## Hole Options



Hole Code A



Hole Code B



Hole Code C

**Plastic Housing with Two Hole**

Part No.: **H14019**

Customer:

DRW:	Jason	CHKD	Wilson	MATL:	Wilson	TOLERANCE	Mason	DATE	22.08.2011
APPD:	Schumi			FINISH	Jamy		Sheet No.	1 from 3	

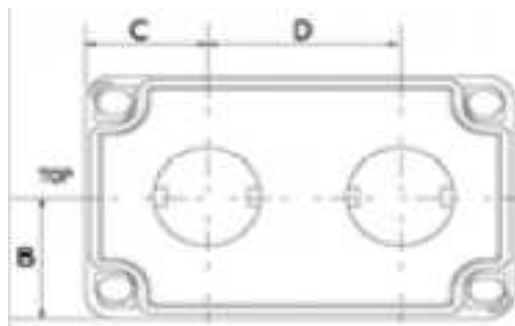
# EDCON-COMPONENTS



## Dimension (mm)

### Outside Dimension of Case

Width	80,0
Length	130,0
Body Height Type 1	70,0
Body Height Type 2	85,0



A	
B	40,0
C	40,0
D	50,0
E	
F	

**Plastic Housing with Two Hole**

Part No.: **H14019**

DRW:	Jason	CHKD	Wilson	MATL:	Wilson	TOLERANCE	Mason	DATE	22.08.2011
APPD:	Schumi			FINISH	Jamy		Sheet No.	2 from 3	

Customer:  
email: [info@edcon-components.com](mailto:info@edcon-components.com)



**Ordering Informations**

Serie	Hole Size	Housing Material	Body Height Type	Color of Part	ROHS	Packing				
-------	-----------	------------------	------------------	---------------	------	---------	--	--	--	--

<b>H14019</b>	-	<b>A</b>	<b>AB</b>	<b>1</b>	<b>GY</b>	<b>R</b>	<b>CA</b>			
---------------	---	----------	-----------	----------	-----------	----------	-----------	--	--	--

<b>A</b> =Hole 22mm	<b>AB</b> =Material ABS	<b>1</b> =Höhe 70mm	<b>GY</b> =Gray (Standard)	<b>R</b> =Rohs Conform	<b>CA</b> =Carton	
<b>B</b> =Hole 25mm	<b>PC</b> =Material Polycarbonat	<b>2</b> =Höhe 85mm		<b>N</b> =NON ROHS Conform		
<b>C</b> =Hole 30mm						

<b>Plastic Housing with Two Hole</b>
Part No.: <b>H14019</b>
Customer:

DRW:	Jason	CHKD	Wilson	MATL:	Wilson	TOLERANCE	Mason	DATE	22.08.2011
APPD:	Schumi			FINISH	Jamy		Sheet No.		3 from 3