

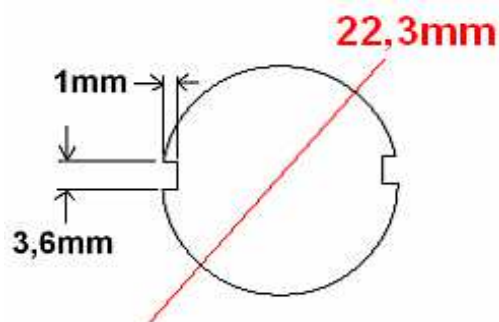
EDCON-COMPONENTS



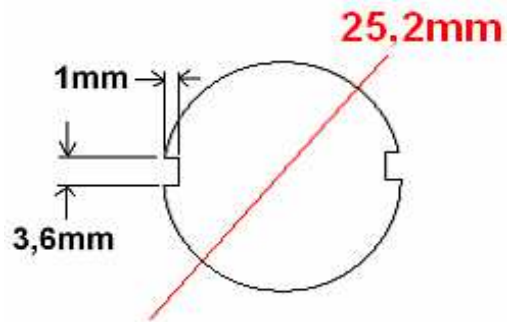
Technical Informations

Material: ABS or Polycarbonat
 Temperatur Range: ABS = -40°C ~ + 85°C
 Temperatur Range: PC = -40°C ~ + 120°C
 Protection Degree: IP67

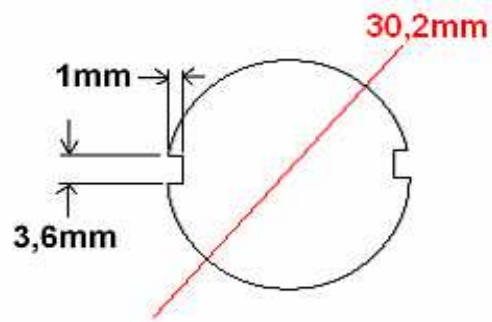
Hole Options



Hole Code A



Hole Code B



Hole Code C

Plastic Housing with One Hole

Part No.: **H14018**

DRW:	Jason	CHKD	Wilson	MATL:	Wilson	TOLERANCE	Mason	DATE	22.08.2011
APPD:	Schumi			FINISH	Jamy		Sheet No.		1 from 3

Customer:

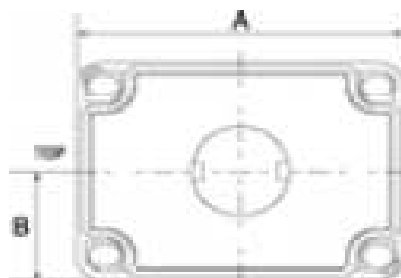
EDCON-COMPONENTS



Dimension (mm)

Outside Dimension of Case

Width	80,0
Length	110,0
Body Height Type 1	70,0
Body Height Type 2	85,0



A	55,0
B	40,0
C	
D	
E	
F	

Plastic Housing with One Hole

Part No.: **H14018**

DRW:	Jason	CHKD	Wilson	MATL:	Wilson	TOLERANCE	Mason	DATE	22.08.2011
APPD:	Schumi			FINISH	Jamy		Sheet No.	2 from 3	

Customer:

email: info@edcon-components.com



Ordering Informations

Serie	Hole Size	Housing Material	Body Height Type	Color of Part	ROHS	Packing				
-------	-----------	------------------	------------------	---------------	------	---------	--	--	--	--

H14018	-	A	AB	1	GY	R	CA			
---------------	---	----------	-----------	----------	-----------	----------	-----------	--	--	--

A =Hole 22mm	AB =Material ABS	1 =Höhe 70mm	GY =Gray (Standard)	R =Rohs Conform	CA =Carton	
B =Hole 25mm	PC =Material Polycarbonat	2 =Höhe 85mm		N =NON ROHS Conform		
C =Hole 30mm						

Plastic Housing with One Hole

Part No.: **H14018**

DRW:	Jason	CHKD	Wilson	MATL:	Wilson	TOLERANCE	Mason	DATE	22.08.2011	Customer:
APPD:	Schumi			FINISH	Jamy		Sheet No.	3 from 3		