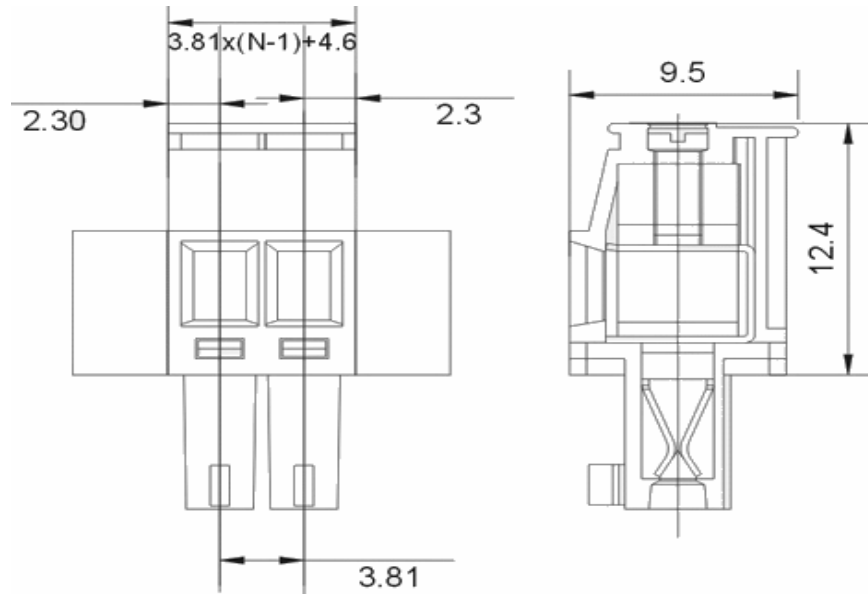


EDCON-COMPONENTS



Drawing



P.C.B. Layout

Specification

Electrical

Rated voltage	300V
Rated current	8A
Wire range	22-16 AWG / 1.5mm ²
Contact resistance	20mΩ
Insulation resistance	5000MΩ / 1000V
Withstand voltage	AC1500V/1min

Mechanical

Ambient temperature	-40°C ~ +130°C
Soldering temperature	250°C/5sec
Screw, Torque	M2, 0.2 Nm (1.7Lb-In.)
Strip length	6 ~ 7 mm

Dimensions

Pitch	3.81mm
Poles	2P - 24P

Material

Housing	PA66 (UL94V-0)
Wire guard	Phospor Bronze
Screw	Steel, Zinc-plated



Pluggable Terminal Block /

Pitch 3.81mm

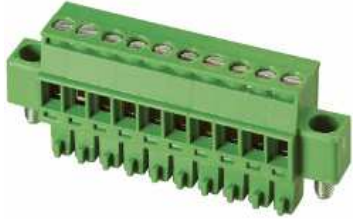
Part No.: A14H119

Customer:

DRW:	Justin	CHKD	Frank	MATL:	Jordan	TOLERANCE	Lord	Date	10.02.2009
APPD:	Pete			FINISH	Mike			Sheet No.	1 from 3

www.edcon-components.com

email: info@edcon-components.com



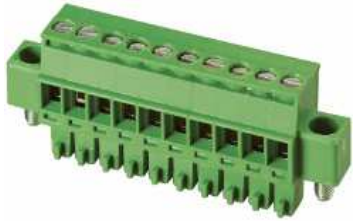
Ordering Informations

Serie	-	No. of Pole	Body-Color	-	Customer Request
A14H119	-	XX	XX	-	X
		XX = total	WH - white		
		02	GN - green		
		...	GR - gray		
		24	TP - transparent		
			OR - orange		
			BK - black		
			BL - blue		
			RD - red		
			YW - yellow		
			PG - Phoenix Green		



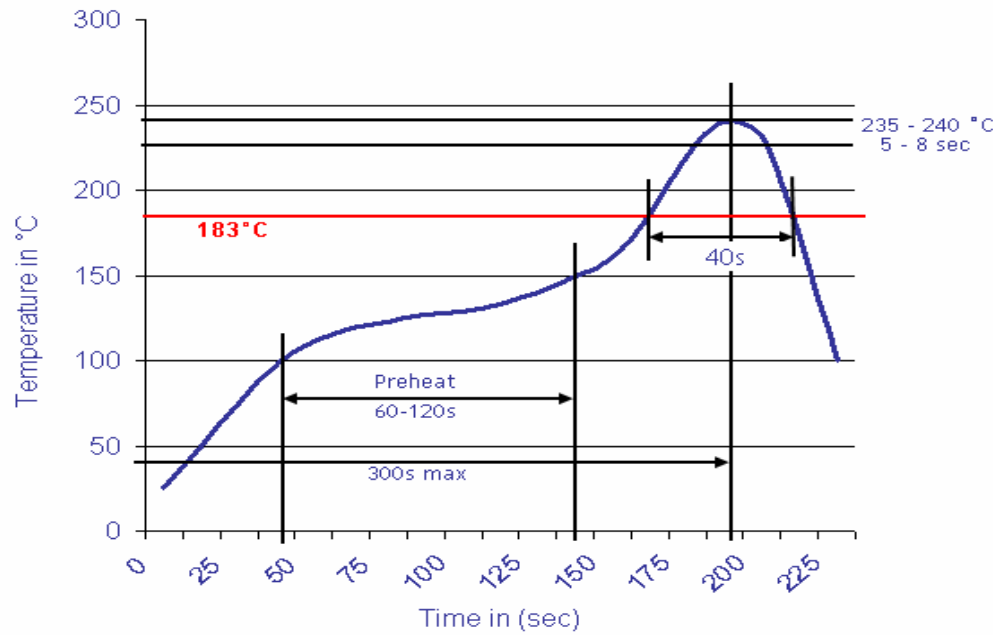
Pluggable Terminal Block / Pitch 3.81 mm	
Part No.:	A14H119
Customer:	

DRW:	Justin	CHKD	Frank	MATL:	Jordan	TOLERANCE	Lord	Date	10.02.2009
APPD:	Pete			FINISH	Mike			Sheet No.	2 from 3



Soldering - Profil

Classification Reflow Profile (JEDEC J-STD-020C)



Pluggable Terminal Block /
Pitch 3.81 mm

Part No.: A14H119

DRW:	Justin	CHKD	Frank	MATL:	Jordan	TOLERANCE	Lord	Date	10.02.2009
APPD:	Pete			FINISH	Mike			Sheet No.	3 from 3

Customer: