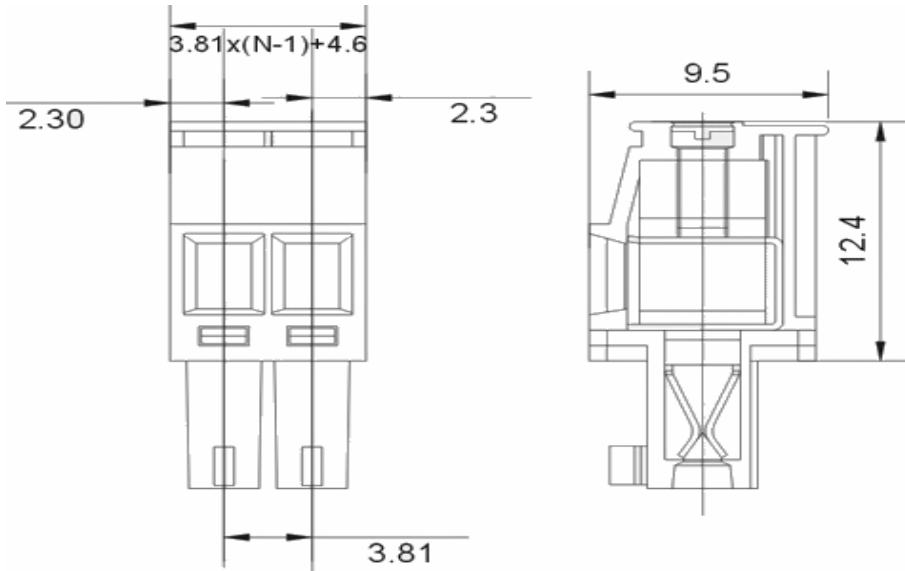


# EDCON-COMPONENTS



## Drawing



## P.C.B. Layout

## Specification

### Electrical

|                       |                                |
|-----------------------|--------------------------------|
| Rated voltage         | 300V                           |
| Rated current         | 8A                             |
| Wire range            | 22-16 AWG / 1.5mm <sup>2</sup> |
| Contact resistance    | 20mΩ                           |
| Insulation resistance | 5000MΩ / 1000V                 |
| Withstand voltage     | AC1500V/1min                   |

### Mechanical

|                       |                        |
|-----------------------|------------------------|
| Ambient temperature   | -40°C ~ +130°C         |
| Soldering temperature | 250°C/5sec             |
| Screw, Torque         | M2, 0.2 Nm (1.7Lb-In.) |
| Strip length          | 6 ~ 7mm                |

### Dimensions

|       |          |
|-------|----------|
| Pitch | 3.81mm   |
| Poles | 2P - 24P |

### Material

|            |                    |
|------------|--------------------|
| Housing    | PA66 (UL94V-0)     |
| Wire guard | Phosphor Bronze    |
| Screw      | Steel, Zinc-plated |



Pluggable Terminal Block /

Pitch 3.81mm

Part No.: A14H116

Customer:

|       |        |      |       |        |        |           |           |          |            |
|-------|--------|------|-------|--------|--------|-----------|-----------|----------|------------|
| DRW:  | Justin | CHKD | Frank | MATL:  | Jordan | TOLERANCE | Lord      | Date     | 10.02.2009 |
| APPD: | Pete   |      |       | FINISH | Mike   |           | Sheet No. | 1 from 3 |            |

[www.edcon-components.com](http://www.edcon-components.com)

email: [info@edcon-components.com](mailto:info@edcon-components.com)

# EDCON-COMPONENTS



## Ordering Informations

| Serie          | - | No. of Pole | Body-Color                | - | Customer Request |
|----------------|---|-------------|---------------------------|---|------------------|
| <b>A14H116</b> | - | <b>XX</b>   | <b>XX</b>                 | - | <b>X</b>         |
|                |   | XX = total  | <b>WH</b> - white         |   |                  |
|                |   | 02          | <b>GN</b> - green         |   |                  |
|                |   | ...         | <b>GR</b> - gray          |   |                  |
|                |   | 24          | <b>TP</b> - transparent   |   |                  |
|                |   |             | <b>OR</b> - orange        |   |                  |
|                |   |             | <b>BK</b> - black         |   |                  |
|                |   |             | <b>BL</b> - blue          |   |                  |
|                |   |             | <b>RD</b> - red           |   |                  |
|                |   |             | <b>YW</b> - yellow        |   |                  |
|                |   |             | <b>PG</b> - Phoenix Green |   |                  |



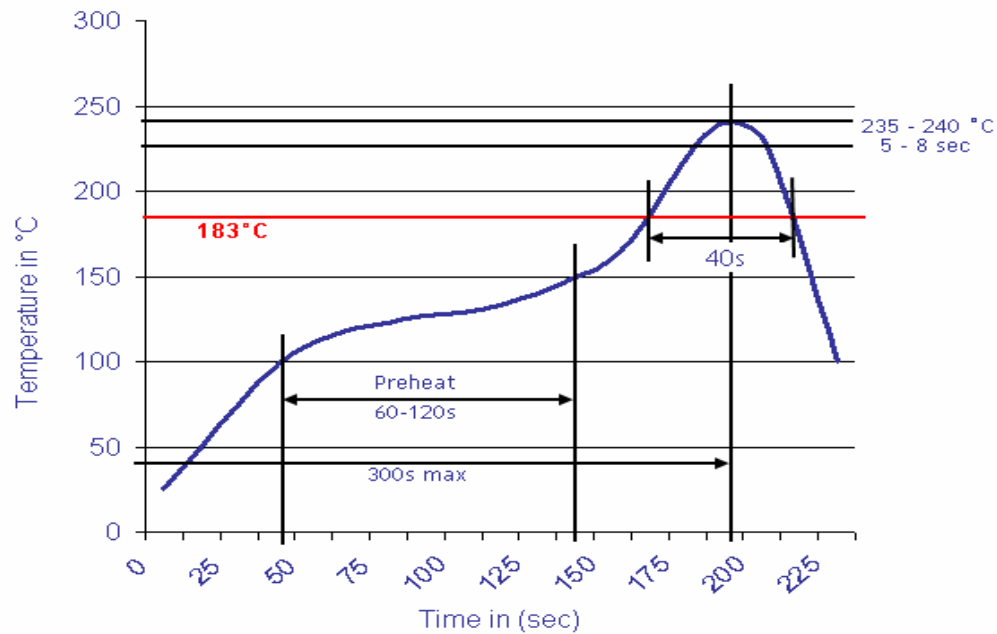
|  |         |
|--|---------|
| Pluggable Terminal Block /<br>Pitch 3.81mm |         |
| Part No.:                                  | A14H116 |
| Customer:                                  |         |

|       |        |      |       |        |        |           |      |           |            |
|-------|--------|------|-------|--------|--------|-----------|------|-----------|------------|
| DRW:  | Justin | CHKD | Frank | MATL:  | Jordan | TOLERANCE | Lord | Date      | 10.02.2009 |
| APPD: | Pete   |      |       | FINISH | Mike   |           |      | Sheet No. | 2 from 3   |



## Soldering - Profil

### Classification Reflow Profile (JEDEC J-STD-020C)



|   |         |
|---|---------|
| Pluggable Terminal Block /<br>Pitch 3.81 mm |         |
| Part No.:                                   | A14H116 |
| Customer:                                   |         |

|       |        |      |       |        |        |           |      |           |            |
|-------|--------|------|-------|--------|--------|-----------|------|-----------|------------|
| DRW:  | Justin | CHKD | Frank | MATL:  | Jordan | TOLERANCE | Lord | Date      | 10.02.2009 |
| APPD: | Pete   |      |       | FINISH | Mike   |           |      | Sheet No. | 3 from 3   |