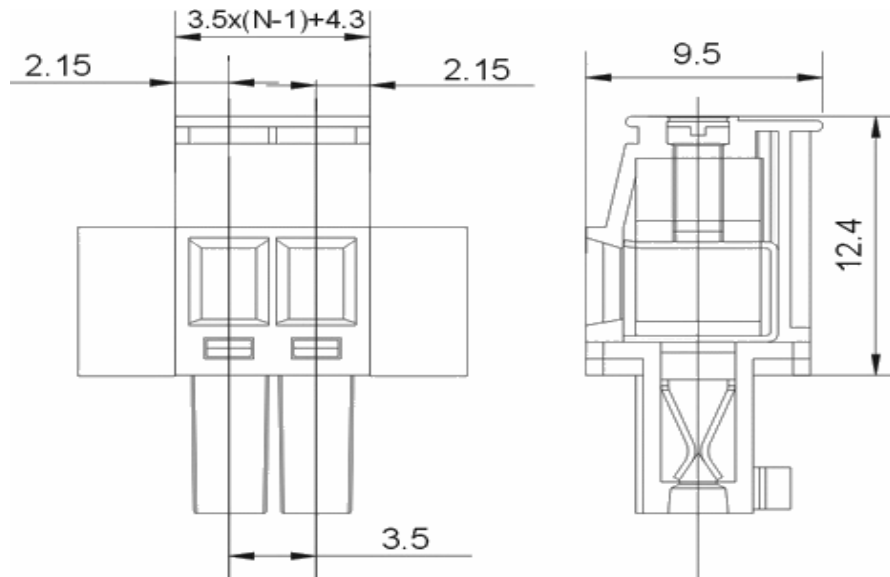


# EDCON-COMPONENTS



## Drawing



P.C.B. Layout

## Specification

### Electrical

Rated voltage	300V
Rated current	8A
Wire range	22-16 AWG / 1.5mm <sup>2</sup>
Contact resistance	20mΩ
Insulation resistance	5000MΩ / 1000V
Withstand voltage	AC1500V/1min

### Mechanical

Ambient temperature	-40°C ~ +130°C
Soldering temperature	250°C/5sec
Screw, Torque	M2, 0.2 Nm (1.7Lb-In.)
Strip length	6 ~ 7 mm

### Dimensions

Pitch	3.50mm
Poles	2P - 24P

### Material

Housing	PA66 (UL94V-0)
Wire guard	Phosphor Bronze
Screw	Steel, Zinc-plated



Pluggable Terminal Block /  
Pitch 3.50mm

Part No.: A14G104

Customer:

DRW:	Justin	CHKD	Frank	MATL:	Jordan	TOLERANCE	Lord	Date	10.02.2009
APPD:	Pete			FINISH	Mike			Sheet No.	1 from 3

[www.edcon-components.com](http://www.edcon-components.com)

email: [info@edcon-components.com](mailto:info@edcon-components.com)



## Ordering Informations

Serie	-	No. of Pole	Body-Color	-	Customer Request
<b>A14G104</b>	-	<b>XX</b>	<b>XX</b>	-	<b>X</b>
		XX = total	<b>WH</b> - white		
		02	<b>GN</b> - green		
		...	<b>GR</b> - gray		
		24	<b>TP</b> - transparent		
			<b>OR</b> - orange		
			<b>BK</b> - black		
			<b>BL</b> - blue		
			<b>RD</b> - red		
			<b>YW</b> - yellow		
			<b>PG</b> - Phoenix Green		



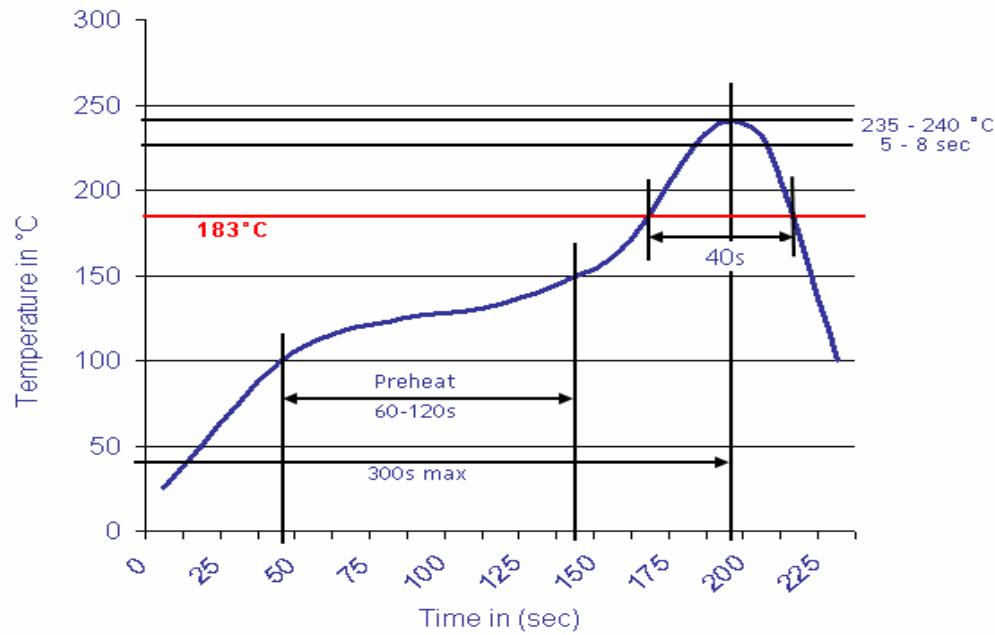
Pluggable Terminal Block / Pitch 3.50mm	
Part No.:	A14G104
Customer:	

DRW:	Justin	CHKD	Frank	MATL:	Jordan	TOLERANCE	Lord	Date	10.02.2009
APPD:	Pete			FINISH	Mike			Sheet No.	2 from 3



**Soldering - Profil**

Classification Reflow Profile (JEDEC J-STD-020C)



Pluggable Terminal Block / Pitch 3.50mm	
Part No.:	A14G104
Customer:	

DRW:	Justin	CHKD	Frank	MATL:	Jordan	TOLERANCE	Lord	Date	10.02.2009
APPD:	Pete			FINISH	Mike			Sheet No.	3 from 3