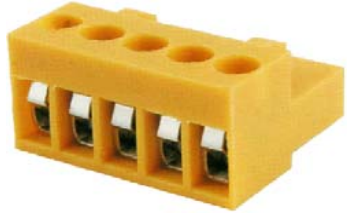
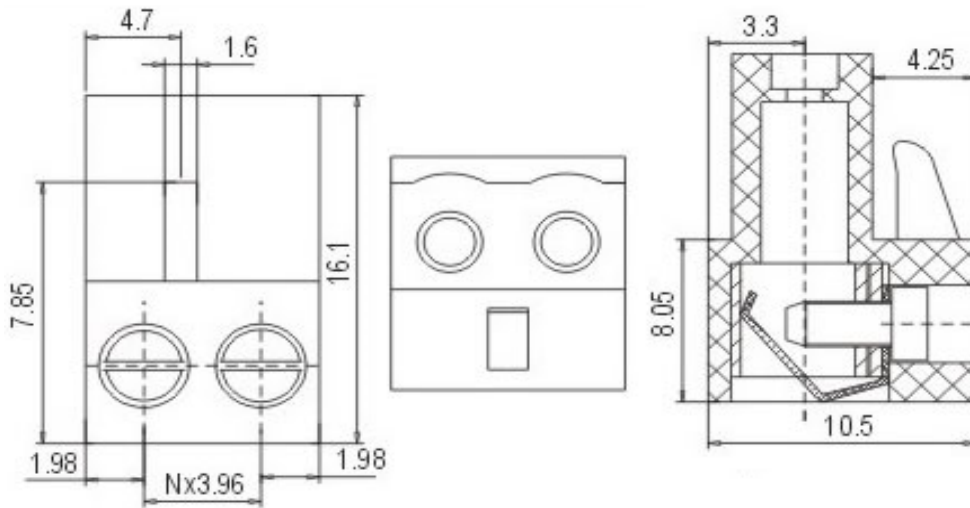


EDCON-COMPONENTS



Drawing



P.C.B. Layout

Specification

Electrical

Rated voltage	300V
Rated current	15A
Contact resistance	20mΩ
Insulation resistance	5000MΩ / 1000V
Wire range	28-12 AWG
Withstanding voltage	AC 1500V/1Min

Mechanical

Ambient temperature	-40°C ~ +105°C
Soldering temperature	250°C ±10°C/5sec
Strip length	7 ~ 8mm
Screw, Torque	M2.5, 0.4Nm (3.6Lb-In.)

Dimensions

Pitch	3.96mm
Poles	2P - 24 P

Material

Housing	PA66 (UL94V-0)
Contact	Phosphor Bronze
Terminal screw	Steel Zinc plated



Pluggable Terminal Block /
Pitch 3.96mm

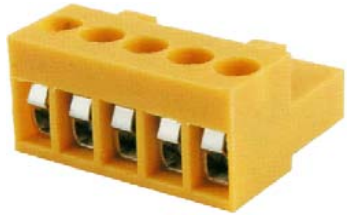
Part No.: A14I001

Customer:

DRW:	Bill	CHKD	Lord	MATL:	Jimmy	TOLERANCE	Sam	DATE	14.3.2009
APPD:	Louis			FINISH	Georg		Sheet No.		1 from 3

www.edcon-components.com

email: info@edcon-components.com



Ordering Informations

Serie	-	No. of Pole	Body-Color	-	Customer Request
A14I001	-	XX	XX	-	X

XX = total	WH - white
02	GN - green
...	GR - gray
24	LG - light gray
	PG - Phoenix Green
	OR - orange
	BL - blue
	BK - black



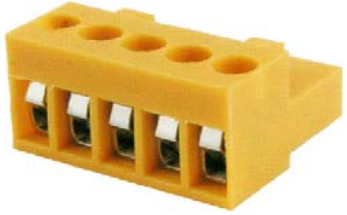
Pluggable Terminal Block /
Pitch 3.96mm

Part No.: A14I001

Customer:

DRW:	Bill	CHKD	Lord	MATL:	Jimmy	TOLERANCE	Sam	DATE	14.3.2009
APPD:	Louis			FINISH	Georg			Sheet No.	2 from 3

EDCON-COMPONENTS



Soldering - Profil

Classification Reflow Profile (JEDEC J-STD-020C)



Pluggable Terminal Block /
Pitch 3.96mm

Part No.: A14I001

Customer:

DRW:	Bill	CHKD	Lord	MATL:	Jimmy	TOLERANCE	Sam	DATE	14.3.2009
APPD:	Louis			FINISH	Georg		Sheet No.	3 from 3	

www.edcon-components.com

email: info@edcon-components.com