

# EDCON-COMPONENTS



## ELECTRICAL SPECIFICATION:

Current Rating: 200mA / 24VAC/DC  
1A / 24VAC/DC  
depending on Version

Switch Resistance ON: 10mOhm max.

Switch Resistance OFF: 5 MOhm min.

Operating force: 2 to 6N

Life Expectancy: 50 Million cycles

LED Consumption: Illuminated DOT 10mA  
Illuminated RING 20mA

## Material SPECIFICATION:

Case: Aluminium , Anodized

Terminals: Multi-wire leads section 0,22  
Standard Length 300mm  
Twisted by pair

Terminals: Bronze, tin plated

## Environmental Specifications

Sealing: IP68

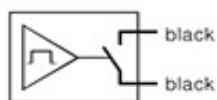
Vibration Resistance: 10~500Hz/10g

Operating Temperature: -40°C to + 75°C

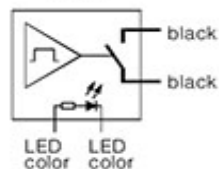
## Wiring Diagramm

Momentary NO

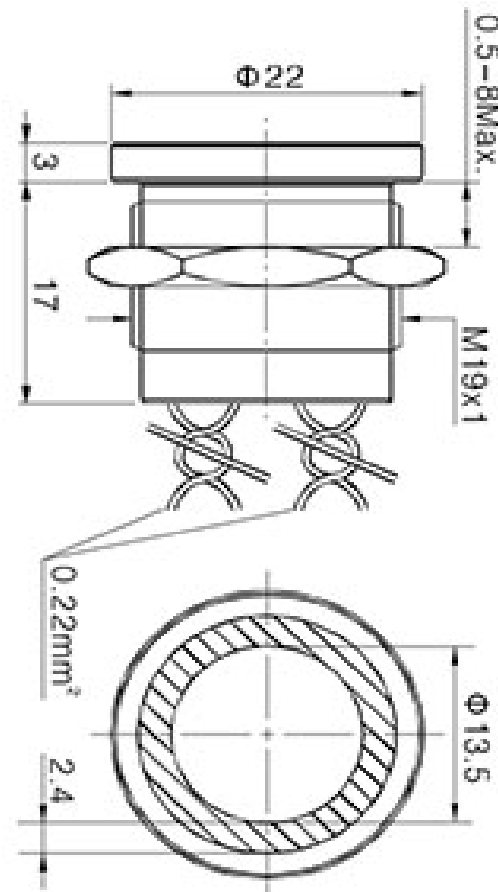
Non-illuminated



1 LED\*



## Drawing



**Piezo Switch 19mm w. Thick RING-Illuminated**

Part No.: **Q72025**

Customer:

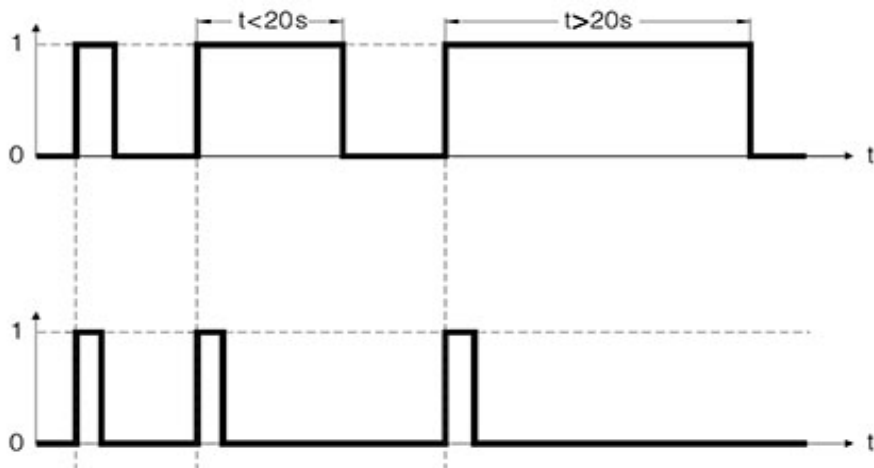
|       |        |      |        |        |        |           |           |          |            |
|-------|--------|------|--------|--------|--------|-----------|-----------|----------|------------|
| DRW:  | Jason  | CHKD | Wilson | MATL:  | Wilson | TOLERANCE | Mason     | DATE     | 06.03.2017 |
| APPD: | Schumi |      |        | FINISH | Jamy   |           | Sheet No. | 1 from 3 |            |

[www.edcon-components.com](http://www.edcon-components.com)

email: [info@edcon-components.com](mailto:info@edcon-components.com)



Finger pressure applied to switch



1= Pressure  
0= No Pressure

**Output**  
- Momentary NO ( Pulse)  
No external Power supply required

|  |               |
|--|---------------|
| <b>Piezo Switch 19mm w. Thick RING-Illuminated</b> |               |
| Part No.:  | <b>Q72025</b> |
| Customer:  |               |

|       |        |      |        |        |        |           |           |          |            |
|-------|--------|------|--------|--------|--------|-----------|-----------|----------|------------|
| DRW:  | Jason  | CHKD | Wilson | MATL:  | Wilson | TOLERANCE | Mason     | DATE     | 06.03.2017 |
| APPD: | Schumi |      |        | FINISH | Jamy   |           | Sheet No. | 2 from 3 |            |

[www.edcon-components.com](http://www.edcon-components.com)

email: [info@edcon-components.com](mailto:info@edcon-components.com)

Copyright by S.Tiede



**Ordering Informations**

| Serie         | Knop Type | Electrical Function | Terminal Option | Crust Material | Colour Material | Electrical Ratings | LED Colour | LED Voltage | Special function | ROHS Conform | Packing   |
|---------------|-----------|---------------------|-----------------|----------------|-----------------|--------------------|------------|-------------|------------------|--------------|-----------|
| <b>Q72025</b> | <b>B</b>  | <b>1</b>            | <b>A1</b>       | <b>AL</b>      | <b>A0</b>       | <b>A</b>           | <b>N</b>   | <b>00</b>   | <b>N</b>         | <b>R</b>     | <b>BU</b> |

|                                    |                      |                                  |                            |                                     |                          |                           |                        |                               |                            |                               |
|------------------------------------|----------------------|----------------------------------|----------------------------|-------------------------------------|--------------------------|---------------------------|------------------------|-------------------------------|----------------------------|-------------------------------|
| <b>B=</b> 4,5mm Thickness Operator | <b>1= NO</b> (Pulse) | <b>A1=</b> 300mm Wire Length     | <b>AL=</b> Aluminium       | <b>A0=</b> Natural Aluminium        | <b>A=</b> 200mA 24VAC/DC | <b>R=</b> Red             | <b>00=</b> No function | <b>N=</b> No special function | <b>R=</b> ROHS Conform     | <b>BU=</b> Bulk-Ware          |
|                                    |                      | <b>Ax=</b> xxxmm Wire on Request | <b>SS=</b> Stainless Steel | <b>A1=</b> Blue anodized Aluminium  |                          | <b>G=</b> Green           | <b>05=</b> 5Volt       |                               | <b>N=</b> NON ROHS Conform | <b>IV=</b> Individual Package |
|                                    |                      |                                  |                            | <b>A2=</b> Black anodized Aluminium |                          | <b>Y=</b> Yellow          | <b>12=</b> 12Volt      |                               |                            |                               |
|                                    |                      |                                  |                            | <b>A3=</b> Gold anodized Aluminium  |                          | <b>O=</b> Orange          | <b>24=</b> 24Volt      |                               |                            |                               |
|                                    |                      |                                  |                            | <b>A4=</b> Green anodized Aluminium |                          | <b>B=</b> Blue            |                        |                               |                            |                               |
|                                    |                      |                                  |                            | <b>A5=</b> Red anodized Aluminium   |                          | <b>W=</b> White           |                        |                               |                            |                               |
|                                    |                      |                                  |                            | <b>SS=</b> Stainless Steel Natural  |                          | <b>N=</b> Non Illuminated |                        |                               |                            |                               |

|  |               |
|--|---------------|
| <b>Piezo Switch 19mm w. Thick RING-Illuminated</b> |               |
| Part No.:  | <b>Q72025</b> |
| Customer:  |               |

|       |        |      |        |        |        |           |           |      |            |
|-------|--------|------|--------|--------|--------|-----------|-----------|------|------------|
| DRW:  | Jason  | CHKD | Wilson | MATL:  | Wilson | TOLERANCE | Mason     | DATE | 06.03.2017 |
| APPD: | Schumi |      |        | FINISH | Jamy   |           | Sheet No. |      | 3 from 3   |