

EDCON-COMPONENTS



ELECTRICAL SPECIFICATION:

Current Rating: 200mA / 24VAC/DC
 1A / 24VAC/DC
 depending on Version

Switch Resistance ON: 10mOhm max.

Switch Resistance OFF: 5 MOhm min.

Operating force: 2 to 6N

Life Expectancy: 50 Million cycles

LED Consumption: Illuminated DOT 10mA
 Illuminated RING 20mA

Material SPECIFICATION:

Case: Aluminium , Anodized

Terminals: Multi-wire leads section 0,22
 Standard Length 300mm
 Twisted by pair

Terminals: Bronze, tin plated

Environmental Specifications

Sealing: IP68

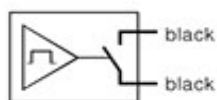
Vibration Resistance: 10~500Hz/10g

Operating Temperature: -40°C to + 75°C

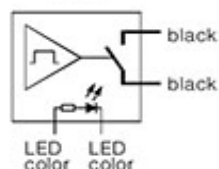
Wiring Diagramm

Momentary NO

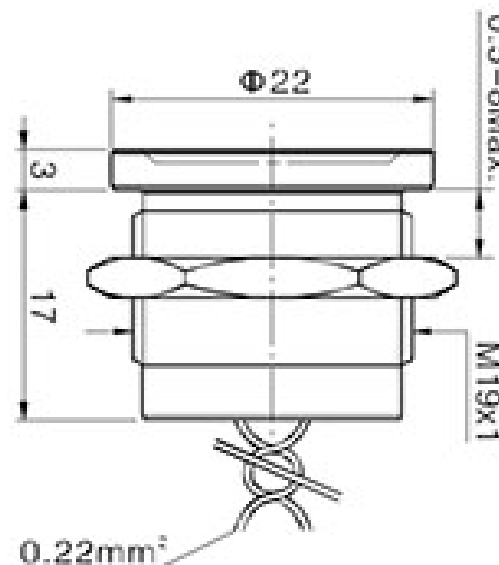
Non-illuminated



1 LED*



Drawing



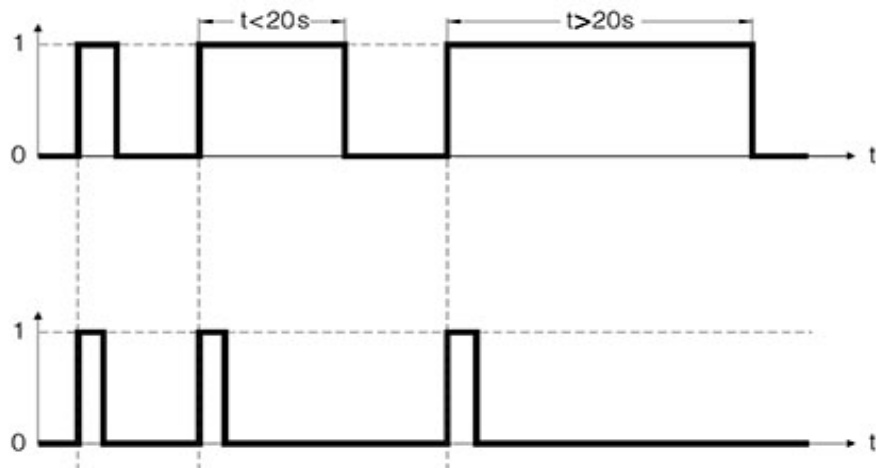
Piezo Switch 19mm Non-Illuminated w Finger Locations

Part No.: **Q72013**

DRW:	Jason	CHKD	Wilson	MATL:	Wilson	TOLERANCE	Mason	DATE	06.03.2017	Customer:
APPD:	Schumi			FINISH	Jamy		Sheet No.	1 from 3		



Finger pressure applied to switch



1= Pressure
0= No Pressure

Output
.- Momentary NO (Pulse)
No external Power supply required

Piezo Switch 19mm Non-Illuminated w Finger Locations	
Part No.:	Q72013
Customer:	

DRW:	Jason	CHKD	Wilson	MATL:	Wilson	TOLERANCE	Mason	DATE	06.03.2017
APPD:	Schumi			FINISH	Jamy		Sheet No.	2 from 3	



Ordering Informations

Serie	Knop Type	Electrical Function	Terminal Option	Crust Material	Colour Material	Electrical Ratings	LED Colour	LED Voltage	Special function	ROHS Conform	Packing
Q72013	B	1	A1	AL	A0	A	N	00	N	R	BU

B= 4,5mm Thickness Operator

1= NO (Pulse)

A1= 300mm Wire Length

Ax= xxxmm Wire on Request

AL= Aluminium

SS= Stainless Steel

A0= Natural Aluminium

A1= Blue anodized Aluminium

A2= Black anodized Aluminium

A3= Gold anodized Aluminium

A4= Green anodized Aluminium

A5= Red anodized Aluminium

SS= Stainless Steel Natural

A= 200mA 24VAC/DC

R= Red

G= Green

Y= Yellow

O= Orange

B= Blue

W= White

N= Non Illuminated

00= No function

05= 5Volt

12= 12Volt

24= 24Volt

N= No special function

R= ROHS Conform

N= NON ROHS Conform

BU= Bulk-Ware

IV= Individual Package

Piezo Switch 19mm Non-Illuminated w Finger Locations	
Part No.:	Q72013
Customer:	

DRW:	Jason	CHKD	Wilson	MATL:	Wilson	TOLERANCE	Mason	DATE	06.03.2017
APPD:	Schumi			FINISH	Jamy		Sheet No.		3 from 3