

# EDCON-COMPONENTS



## ELECTRICAL SPECIFICATION:

Current Rating: 200mA / 24VAC/DC  
1A / 24VAC/DC  
depending on Version

Switch Resistance ON: 10mOhm max.

Switch Resistance OFF: 5 MOhm min.

Operating force: 2 to 6N

Life Expectancy: 50 Million cycles

LED Consumption: Illuminated DOT 10mA  
Illuminated RING 20mA

## Material SPECIFICATION:

Case: Aluminium , Anodized

Terminals: Multi-wire leads section 0,22  
Standard Length 300mm  
Twisted by pair

Terminals: Bronze, tin plated

## Environmental Specifications

Sealing: IP68

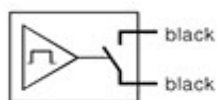
Vibration Resistance: 10~500Hz/10g

Operating Temperature: -40°C to + 75°C

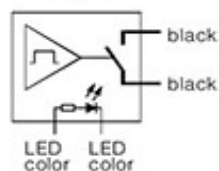
## Wiring Diagramm

Momentary NO

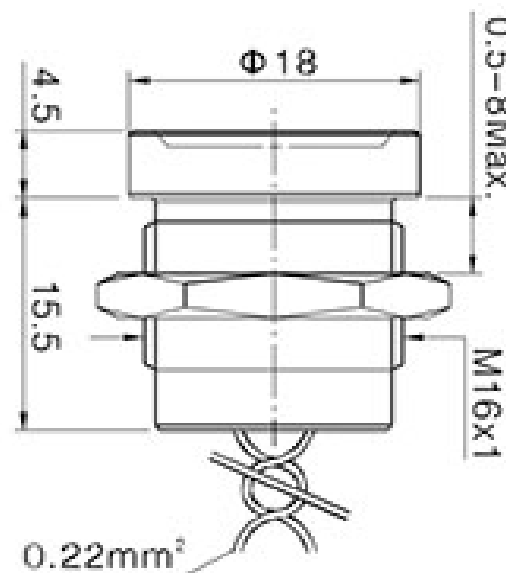
Non-illuminated



1 LED\*



## Drawing



**Piezo Switch 16mm Non-Illuminated w Finger Locations**

Part No.: **Q72012**

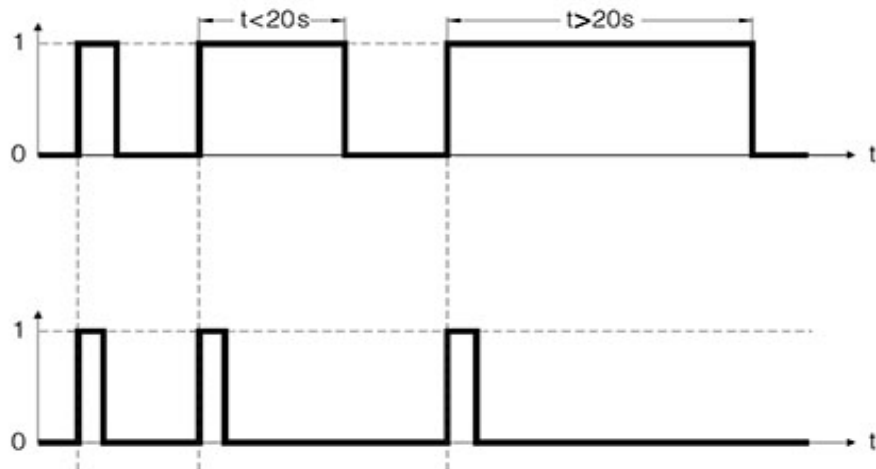
Customer:

DRW:	Jason	CHKD	Wilson	MATL:	Wilson	TOLERANCE	Mason	DATE	06.03.2017
APPD:	Schumi			FINISH	Jamy		Sheet No.		1 from 3

[www.edcon-components.com](http://www.edcon-components.com)

email: [info@edcon-components.com](mailto:info@edcon-components.com)

Finger pressure applied to switch



1= Pressure  
0= No Pressure

**Output**  
 . - Momentary NO ( Pulse)  
 No external Power supply required

<b>Piezo Switch 16mm Non-Illuminated w Finger Locations</b>	
Part No.:	<b>Q72012</b>
Customer:	

DRW:	Jason	CHKD	Wilson	MATL:	Wilson	TOLERANCE	Mason	DATE	06.03.2017
APPD:	Schumi			FINISH	Jamy		Sheet No.	2 from 3	



**Ordering Informations**

Serie	Knop Type	Electrical Function	Terminal Option	Crust Material	Colour Material	Electrical Ratings	LED Colour	LED Voltage	Special function	ROHS Conform	Packing
<b>Q72012</b>	<b>B</b>	<b>1</b>	<b>A1</b>	<b>AL</b>	<b>A0</b>	<b>A</b>	<b>N</b>	<b>00</b>	<b>N</b>	<b>R</b>	<b>BU</b>

**B=** 4,5mm Thickness Operator

**1= NO** (Pulse)

**A1=** 300mm Wire Length

**Ax=** xxxmm Wire on Request

**AL=** Aluminium

**SS=** Stainless Steel

**A0=** Natural Aluminium

**A1=** Blue anodized Aluminium

**A2=** Black anodized Aluminium

**A3=** Gold anodized Aluminium

**A4=** Green anodized Aluminium

**A5=** Red anodized Aluminium

**SS=** Stainless Steel Natural

**A=** 200mA 24VAC/DC

**R=** Red

**G=** Green

**Y=** Yellow

**O=** Orange

**B=** Blue

**W=** White

**N=** Non Illuminated

**00=** No function

**05=** 5Volt

**12=** 12Volt

**24=** 24Volt

**N=** No special function

**R=** ROHS Conform

**N=** NON ROHS Conform

**BU=** Bulk-Ware

**IV=** Individual Package

<b>Piezo Switch 16mm Non-Illuminated w Finger Locations</b>	
Part No.:	<b>Q72012</b>
Customer:	

DRW:	Jason	CHKD	Wilson	MATL:	Wilson	TOLERANCE	Mason	DATE	06.03.2017
APPD:	Schumi			FINISH	Jamy		Sheet No.		3 from 3