

EDCON-COMPONENTS



ELECTRICAL SPECIFICATION:

Current Rating: 200mA / 24VAC/DC
1A / 24VAC/DC
depending on Version

Switch Resistance ON: 10mOhm max.

Switch Resistance OFF: 5 MOhm min.

Operating force: 2 to 6N

Life Expectancy: 50 Million cycles

LED Consumption: Illuminated DOT 10mA
Illuminated RING 20mA

Material SPECIFICATION:

Case: Aluminium , Anodized

Terminals: Multi-wire leads section 0,22
Standard Length 300mm
Twisted by pair

Terminals: Bronze, tin plated

Environmental Specifications

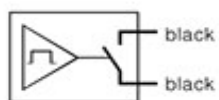
Sealing: IP68

Vibration Resistance: 10~500Hz/10g

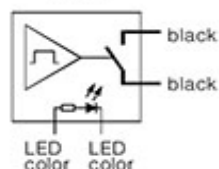
Operating Temperature: -40°C to + 75°C

Wiring Diagramm

Non-illuminated

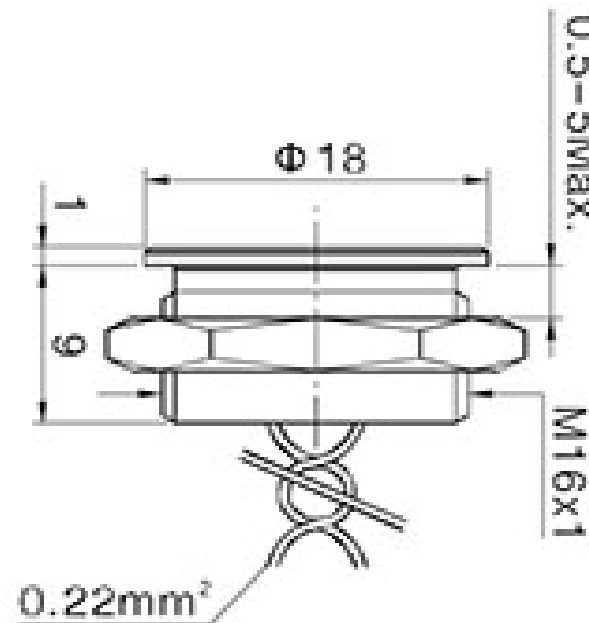


1 LED*



Momentary NO

Drawing



**Piezo Switch 16mm
Non-Illuminated**

Part No.: **Q72009**

Customer:

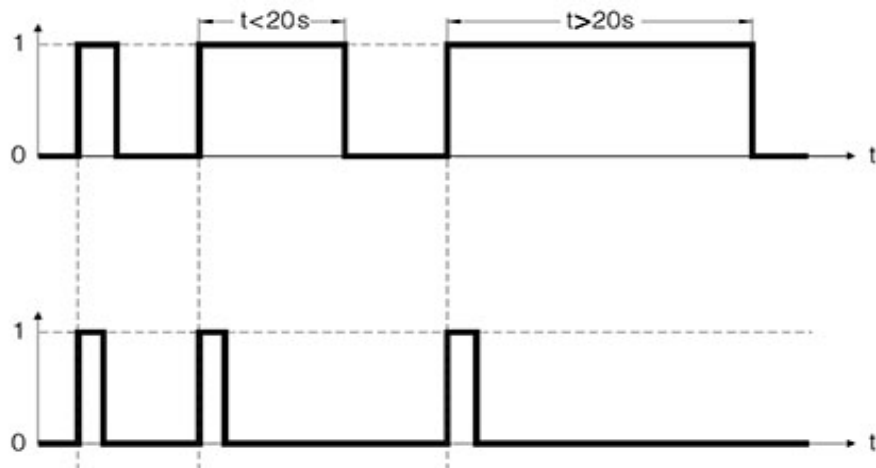
DRW:	Jason	CHKD	Wilson	MATL:	Wilson	TOLERANCE	Mason	DATE	06.03.2017
APPD:	Schumi			FINISH	Jamy		Sheet No.	1 from 3	

www.edcon-components.com

email: info@edcon-components.com



Finger pressure applied to switch



1= Pressure
0= No Pressure

Output
 . - Momentary NO (Pulse)
 No external Power supply required

**Piezo Switch 16mm
Non-Illuminated**

Part No.: **Q72009**

DRW:	Jason	CHKD	Wilson	MATL:	Wilson	TOLERANCE	Mason	DATE	06.03.2017
APPD:	Schumi			FINISH	Jamy		Sheet No.	2 from 3	

Customer:
email: info@edcon-components.com



Ordering Informations

Serie	Knop Type	Electrical Function	Terminal Option	Crust Material	Colour Material	Electrical Ratings	LED Colour	LED Voltage	Special function	ROHS Conform	Packing
Q72009	A	1	A1	AL	A0	A	N	00	N	R	BU

A= 1mm Thickness Operator

1= NO (Pulse)

A1= 300mm Wire Length

Ax= xxxmm Wire on Request

AL= Aluminium

SS= Stainless Steel

A0= Natural Aluminium

A1= Blue anodized Aluminium

A2= Black anodized Aluminium

A3= Gold anodized Aluminium

A4= Green anodized Aluminium

A5= Red anodized Aluminium

SS= Stainless Steel Natural

A= 200mA 24VAC/DC

R= Red

G= Green

Y= Yellow

O= Orange

B= Blue

W= White

N= Non Illuminated

00= No function

05= 5Volt

12= 12Volt

24= 24Volt

N= No special function

R= ROHS Conform

N= NON ROHS Conform

BU= Bulk-Ware

IV= Individual Package

Piezo Switch 16mm Non-Illuminated

Part No.: **Q72009**

DRW:	Jason	CHKD	Wilson	MATL:	Wilson	TOLERANCE	Mason	DATE	06.03.2017	Customer:
APPD:	Schumi			FINISH	Jamy		Sheet No.	3 from 3		