

# EDCON-COMPONENTS



## ELECTRICAL SPECIFICATION:

Current Rating: 200mA / 24VAC/DC  
1A / 24VAC/DC  
depending on Version

Switch Resistance ON: 10mOhm max.

Switch Resistance OFF: 5 MOhm min.

Operating force: 2 to 6N

Life Expectancy: 50 Million cycles

LED Consumption: Illuminated DOT 10mA  
Illuminated RING 20mA

## Material SPECIFICATION:

Case: Aluminium , Anodized

Terminals: Multi-wire leads section 0,22  
Standard Length 300mm  
Twisted by pair

Terminals: Bronze, tin plated

## Environmental Specifications

Sealing: IP68

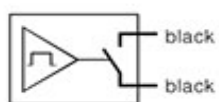
Vibration Resistance: 10~500Hz/10g

Operating Temperature: -40°C to + 75°C

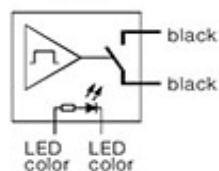
## Wiring Diagramm

Momentary NO

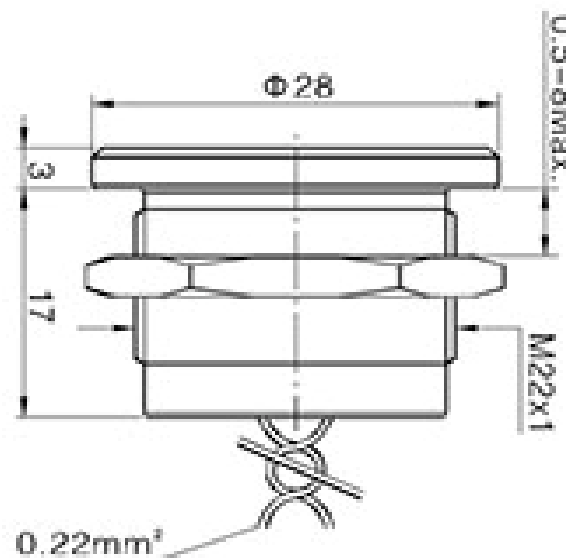
Non-illuminated



1 LED\*



## Drawing



**Piezo Switch 22mm  
Non-Illuminated**

Part No.: **Q72008**

Customer:

DRW:	Jason	CHKD	Wilson	MATL:	Wilson	TOLERANCE	Mason	DATE	06.03.2017
APPD:	Schumi			FINISH	Jamy		Sheet No.	1 from 3	

[www.edcon-components.com](http://www.edcon-components.com)

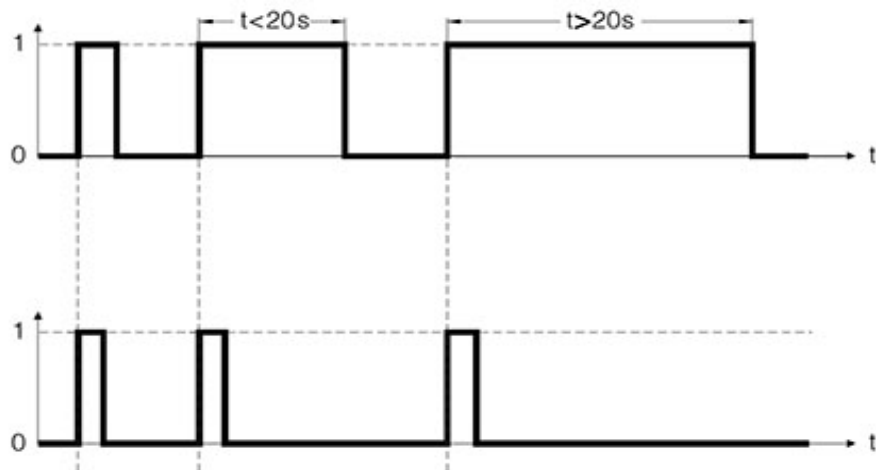
email: [info@edcon-components.com](mailto:info@edcon-components.com)

Copyright by S.Tiede

# EDCON-COMPONENTS



Finger pressure applied to switch



1= Pressure  
0= No Pressure

**Output**  
- Momentary NO ( Pulse)  
No external Power supply required

**Piezo Switch 22mm  
Non-Illuminated**

Part No.: **Q72008**

DRW:	Jason	CHKD	Wilson	MATL:	Wilson	TOLERANCE	Mason	DATE	06.03.2017
APPD:	Schumi			FINISH	Jamy		Sheet No.	2 from 3	

Customer:  
email: info@edcon-components.com

[www.edcon-components.com](http://www.edcon-components.com)

Copyright by S.Tiede

**EDCON-COMPONENTS**



### Ordering Informations

Serie	Knop Type	Electrical Function	Terminal Option	Crust Material	Colour Material	Electrical Ratings	LED Colour	LED Voltage	Special function	ROHS Conform	Packing
<b>Q72008</b>	<b>A</b>	<b>1</b>	<b>A1</b>	<b>AL</b>	<b>A0</b>	<b>A</b>	<b>N</b>	<b>00</b>	<b>N</b>	<b>R</b>	<b>BU</b>

**A**= 3mm Thickness Operator

**1**= NO (Pulse)

**A1**= 300mm Wire Length

**Ax**= xxxmm Wire on Request

**AL**= Aluminium

**SS**= Stainless Steel

**A0**= Natural Aluminium

**A1**= Blue anodized Aluminium

**A2**= Black anodized Aluminium

**A3**= Gold anodized Aluminium

**A4**= Green anodized Aluminium

**A5**= Red anodized Aluminium

**SS**= Stainless Steel Natural

**A**= 200mA 24VAC/DC

**R**= Red

**G**= Green

**Y**= Yellow

**O**= Orange

**B**= Blue

**W**= White

**N**= Non Illuminated

**00**= No function

**05**= 5Volt

**12**= 12Volt

**24**= 24Volt

**N**= No special function

**R**= ROHS Conform

**N**= NON ROHS Conform

**BU**= Bulk-Ware

**IV**= Individual Package

**Piezo Switch 22mm Non-Illuminated**

Part No.: **Q72008**

DRW:	Jason	CHKD	Wilson	MATL:	Wilson	TOLERANCE	Mason	DATE	06.03.2017	Customer:
APPD:	Schumi			FINISH	Jamy		Sheet No.	3 from 3		