

Data Sheet

Pluggable Terminal Block (Header)

Pitch: 3,81 mm

Serie: A14Q001

Customer Information for special Item

EDCON Customer : 0

Customer Version No. : 0

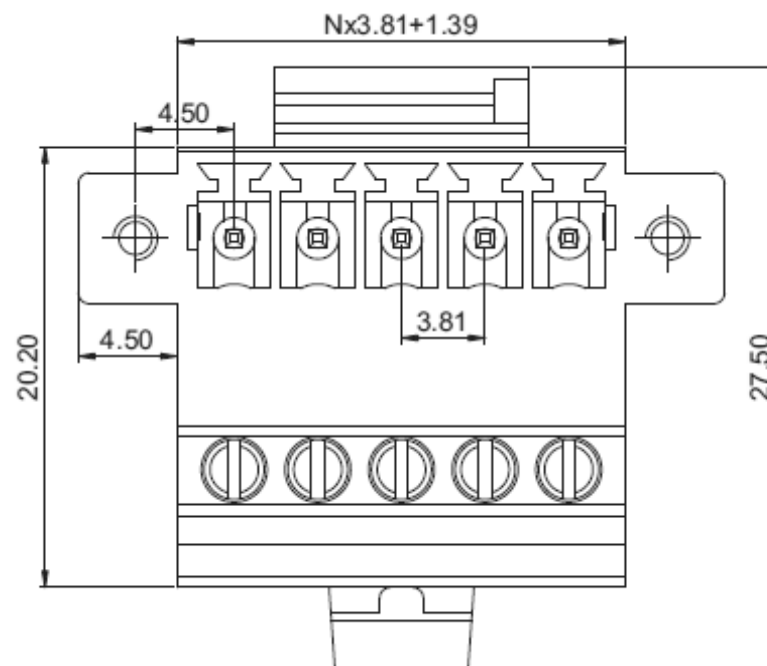
EDCON-COMPONENTS



Technical Discription

Electrical	UL	IEC
Rated Voltage	300Volt	250Volt
Rated Current	8A	7A
Mechanical		
Withstanding Voltage	AC 2000V/Min	
Insulation Resistance		
Operating Temperature	-40°C ~ +105°C	
Strip-Length:	6-7mm	
Screw Torque	3,5kgf.cm	
Dimensions		
Pitch (mm)	3,81	
Poles	3 ~ 16 Pos.	
Materials		
Terminal Housing	PA66 UL94V-0	
Pin Header	Brass Tin Plated	

Drawing (Dimension in mm)



Pluggable Terminal Block (Header)

Part No.: **A14Q001**

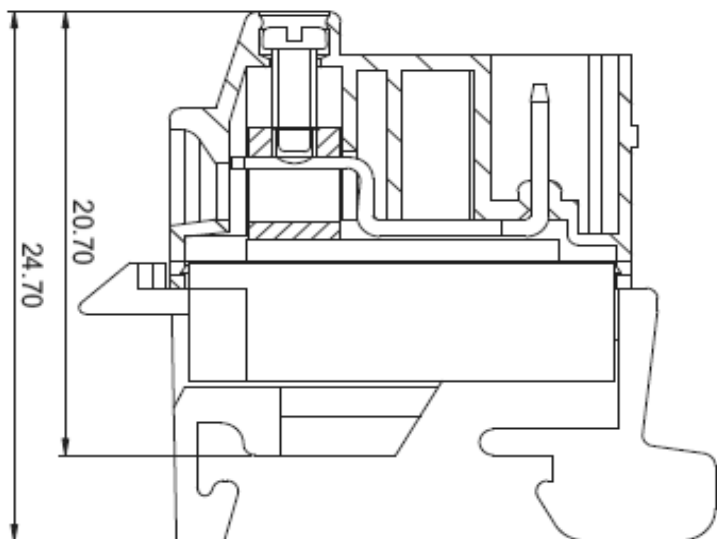
Customer:

DRW:	Jason	CHKD	Wilson	MATL:	Wilson	TOLERANCE	Mason	DATE	25.10.2013
APPD:	Schumi			FINISH	Jamy		Sheet No.	1 from 4	

EDCON-COMPONENTS



Dimensions (mm)



No. of Pos.	A	Tol. A	B	Tol. B
02	19,12	± 0,15	3,81	± 0,15
03	22,93	± 0,15	7,62	± 0,15
04	26,74	± 0,15	11,43	± 0,15
05	30,55	± 0,15	15,24	± 0,15
06	34,36	± 0,15	19,05	± 0,15
07	38,17	± 0,20	22,86	± 0,20
08	41,98	± 0,20	26,67	± 0,20
09	45,79	± 0,20	30,48	± 0,20
10	49,60	± 0,20	34,29	± 0,20
11	53,41	± 0,20	38,10	± 0,20
12	57,22	± 0,20	41,91	± 0,20
13	61,03	± 0,25	45,72	± 0,25
14	64,84	± 0,25	49,53	± 0,25
15	68,65	± 0,25	53,34	± 0,25
16	72,46	± 0,25	57,15	± 0,25
17	76,27	± 0,25	60,96	± 0,25
18	80,08	± 0,25	64,77	± 0,25
19	83,89	± 0,30	68,58	± 0,30
20	87,70	± 0,30	72,39	± 0,30
21	91,51	± 0,30	76,20	± 0,30
22	95,32	± 0,30	80,01	± 0,30
23	99,13	± 0,30	83,82	± 0,30
24	102,94	± 0,30	87,63	± 0,30

Pluggable Terminal Block (Header)

Part No.: **A14Q001**

Customer:

DRW:	Jason	CHKD	Wilson	MATL:	Wilson	TOLERANCE	Mason	DATE	25.10.2013
APPD:	Schumi			FINISH	Jamy		Sheet No.		2 from 4

EDCON-COMPONENTS



Ordering Informations

Serie	No. of Pos.	Body Color	No Function	Approval Code	ROHS	Packing	EDCON Cust. No.	Customer Version		
-------	-------------	------------	-------------	---------------	------	---------	-----------------	------------------	--	--

A14Q001	02	PG	N	N	R	B				
----------------	-----------	-----------	----------	----------	----------	----------	--	--	--	--

Pitch 3,81	02 = Number of Pos. Standard 2 +3 Pos. Other Position on Request Please consult EDCON	PG = Phoenix Green (Standard) WH = White GN = Green GY = Gray LG = Light Gray OR = Orange BL = Blue BK = Black	N = No function	N = NON Approval A = UL /UR Approval Please consult EDCON for available B = VDE Approval Please consult EDCON for available C = TÜV Approval Please consult EDCON for available	R = ROHS Conform N = NON ROHS Conform	B = Bulk-Ware I = Individual Package	xxxxxx = Customer Number	xxx = Customer Version ??(Printing)		
---------------	--	---	------------------------	--	--	---	---------------------------------	--	--	--

Pluggable Terminal Block (Header)

Part No.: **A14Q001**

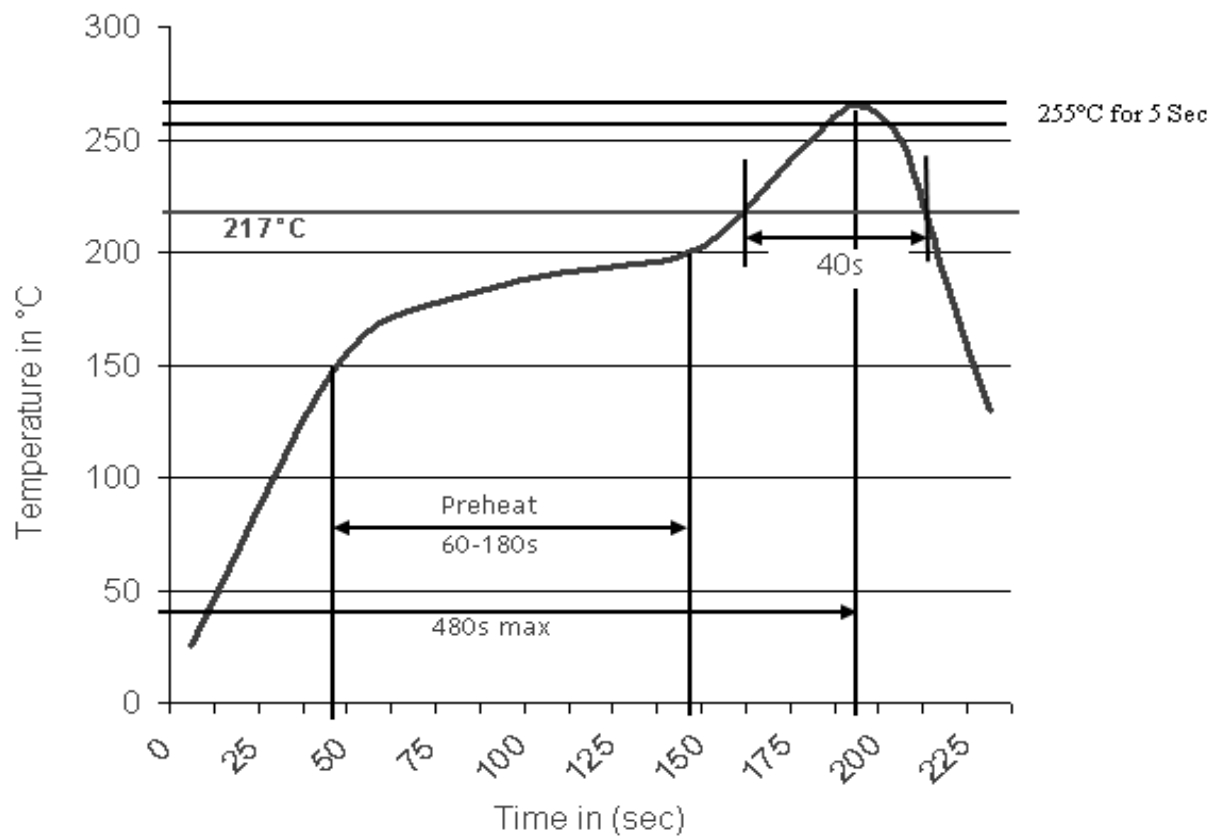
DRW:	Jason	CHKD	Wilson	MATL:	Wilson	TOLERANCE	Mason	DATE	25.10.2013
APPD:	Schumi			FINISH	Jamy		Sheet No.		3 from 4

Customer:



Soldering Profile Curve

Classification Reflow Profile (JEDEC J-STD-020C)



Pluggable Terminal Block (Header)

Part No.: **A14Q001**
Customer:

DRW:	Jason	CHKD	Wilson	MATL:	Wilson	TOLERANCE	Mason	DATE	25.10.2013
APPD:	Schumi			FINISH	Jamy		Sheet No.	4 from 4	