

# Data Sheet

## Pluggable Terminal Block (Plug)

**Pitch: 10,16 mm**

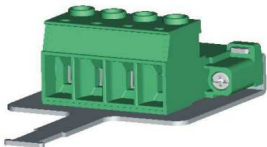
**Serie: A14U025**

### Customer Information for special Item

**EDCON Customer : 0**

**Customer Version No. : 0**

# EDCON-COMPONENTS



## Technical Description

## Drawing (Dimension in mm)

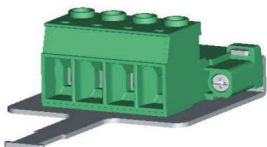
	UR/US	IEC
<b>Electrical</b>		
Rated Voltage	300V	1000V
Rated Current	55A	76A
Wire Range	0,5 ~ 16mm <sup>2</sup>	
Solid Wire	6 ~ 20	
Standed Wire	6 ~ 20	
Withstanding Voltage	1,6KV / 8KV	
Insulation Resistance	5000MΩ / 1000V	
<b>Mechanical</b>		
Operating Temperature	-40°C ~ +115°C	
Wire Strip Length	13-14mm	
Screw Torque	10,4 LB-In	
Screw Size	M4,5	
<b>Dimensions</b>		
Pitch (mm)	10,16	
Poles	2 ~ 16 Pos.	
<b>Materials</b>		
Terminal Housing	Thermoplastic, UL94V-0	
Clamp	Brass Ni-plated	
Female Contact	Copper tin-plated	
Wire Guard	Stainless Steel	
Screw	Steel Ni-plated / Zinc plated	

No. of Pos.	A	B	C	D	Tol. A
03	50,24	32,32	40,64	20,32	± 0,25
04	60,40	42,48	50,80	30,48	± 0,25

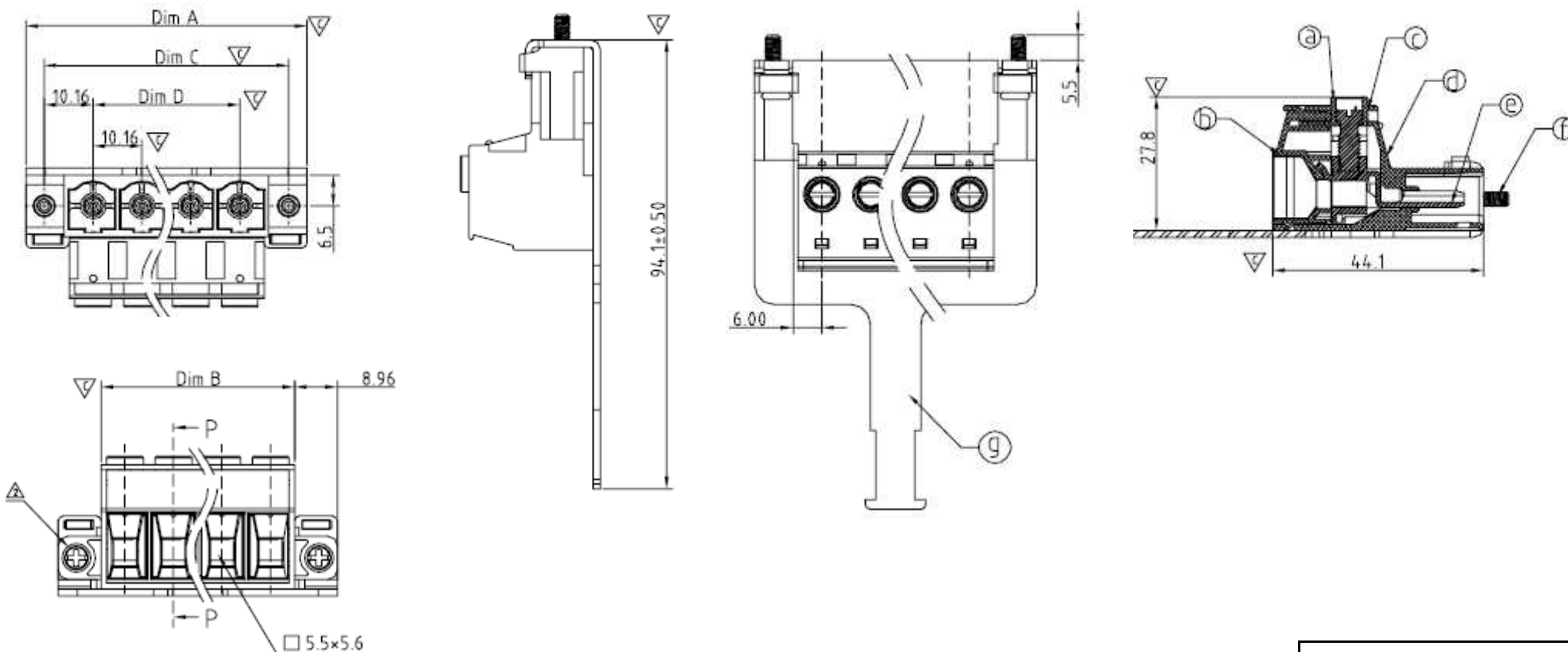
<b>Pluggable Terminal Block (Plug)</b>	
Part No.:	<b>A14U025</b>
Customer:	

DRW:	Jason	CHKD	Wilson	MATL:	Wilson	TOLERANCE	Mason	DATE	03.02.2011
APPD:	Schumi			FINISH	Jamy		Sheet No.		1 from 3

# EDCON-COMPONENTS



Drawing (Dimension in mm)



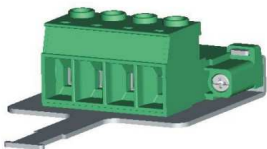
**Pluggable Terminal Block (Plug)**

Part No.: **A14U025**

Customer:



DRW:	Jason	CHKD	Wilson	MATL:	Wilson	TOLERANCE	Mason	DATE	03.02.2011
APPD:	Schumi			FINISH	Jamy		Sheet No.	2 from 3	

# EDCON-COMPONENTS



## Ordering Informations

Serie	No. of Pos.	Body Color	Screw Type	Approval Code	ROHS	Packing	EDCON Cust. No.	Customer Version		
<b>A14U025</b>	<b>03</b>	<b>PG</b>	<b>A</b>	<b>N</b>	<b>R</b>	<b>B</b>				

Pitch 10,16	<b>03</b> = Number of Pos. Standard 3 + 4 Pos.	<b>PG</b> = Phoenix Green (Standard) <b>WH</b> = White <b>GN</b> = Green <b>GY</b> = Gray <b>LG</b> = Light Gray <b>OR</b> = Orange <b>BL</b> = Blue <b>BK</b> = Black	<b>A</b> = Slotted Screw Type (Standard)  <b>B</b> = Cross Slotted Screw Type 	<b>N</b> = NON Approval <b>A</b> = UL /UR Approval Please consult EDCON for available <b>B</b> = VDE Approval Please consult EDCON for available <b>C</b> = TÜV Approval Please consult EDCON for available	<b>R</b> = ROHS Conform <b>N</b> = NON ROHS Conform	<b>B</b> = Bulk-Ware <b>I</b> = Individual Package	<b>xxxxxx</b> = Customer Number	<b>xxx</b> = Customer Version ??(Printing)
----------------	---	---	---	---	--	---	---------------------------------	---

**Pluggable Terminal Block (Plug)**

Part No.: **A14U025**

DRW:	Jason	CHKD	Wilson	MATL:	Wilson	TOLERANCE	Mason	DATE	03.02.2011
APPD:	Schumi			FINISH	Jamy		Sheet No.		3 from 3

Customer: email: [info@edcon-components.com](mailto:info@edcon-components.com)