

Data Sheet

Pluggable Terminal Block (Plug)

Pitch: 10,16 mm

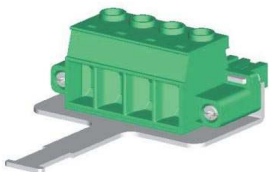
Serie: A14U023

Customer Information for special Item

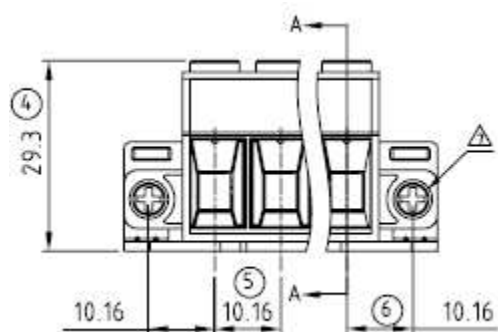
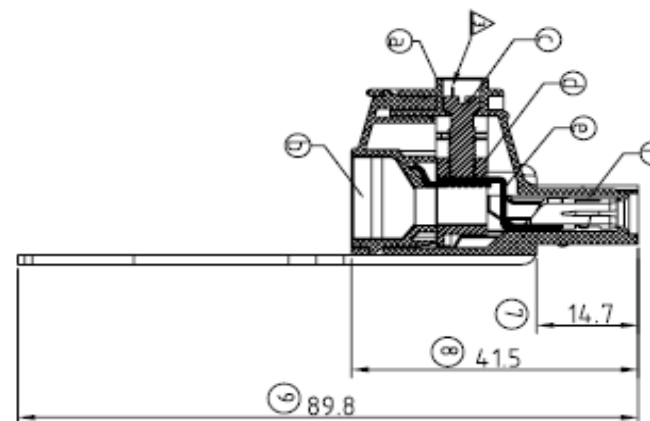
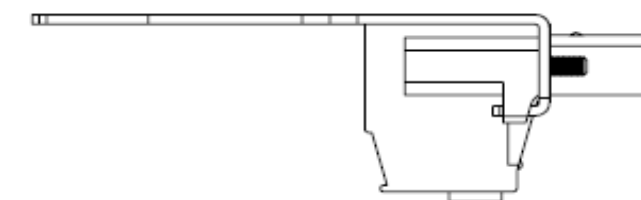
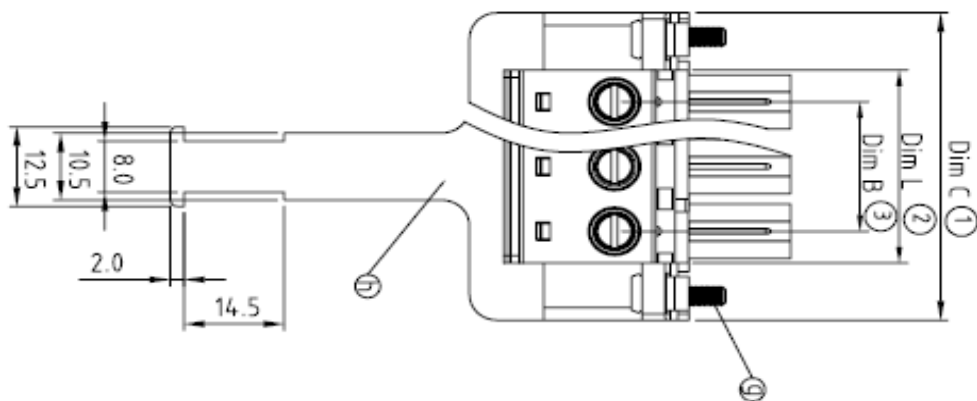
EDCON Customer : 0

Customer Version No. : 0

EDCON-COMPONENTS



Drawing (Dimension in mm)



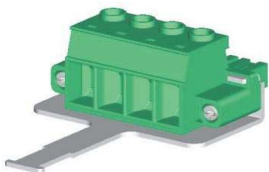
**Pluggable Terminal Block
(Plug)**

Part No.: **A14U023**

Customer:

DRW:	Jason	CHKD	Wilson	MATL:	Wilson	TOLERANCE	Mason	DATE	03.02.2011
APPD:	Schumi			FINISH	Jamy		Sheet No.	2 from 3	



EDCON-COMPONENTS



Ordering Informations

Serie	No. of Pos.	Body Color	Screw Type	Approval Code	ROHS	Packing	EDCON Cust. No.	Customer Version		
A14U023	03	PG	A	N	R	B				

Pitch
10,16

03 = Number of Pos. Standard 3 + 4Pos.	PG = Phoenix Green (Standard)	A = Slotted Screw Type (Standard) 	N = NON Approval	R = ROHS Conform	B = Bulk-Ware I = Individual Package	xxxxxx = Customer Number	xxx = Customer Version ??(Printing)
	WH = White		A = UL /UR Approval Please consult EDCON for available	N = NON ROHS Conform			
	GN = Green	B = Cross Slotted Screw Type 	B = VDE Approval Please consult EDCON for available	C = TÜV Approval Please consult EDCON for available			
	GY = Gray						
	LG = Light Gray						
	OR = Orange						
	BL = Blue						
BK = Black							

Pluggable Terminal Block (Plug)

Part No.: **A14U023**

DRW:	Jason	CHKD	Wilson	MATL:	Wilson	TOLERANCE	Mason	DATE	03.02.2011
APPD:	Schumi			FINISH	Jamy			Sheet No.	3 from 3

Customer: