

Data Sheet

Pluggable Terminal Block PCB Female Type

Pitch: 10,16 mm

Serie: A14U019

Customer Information for special Item

EDCON Customer : 0

Customer Version No. : 0

EDCON-COMPONENTS



Technical Description

Drawing (Dimension in mm)

	Approvals	
	UR/US	IEC
Electrical		
Rated Voltage	300V	1000V
Rated Current	55A	76A
Wire Range	0,5 ~ 16mm ²	
Solid Wire	6 ~ 20	
Standed Wire	6 ~ 20	
Withstanding Voltage	1,6KV / 8KV	
Insulation Resistance	5000MΩ / 1000V	
Mechanical		
Operating Temperature	-40°C ~ +115°C	
Wire Strip Length	13-14mm	
Screw Torque	10,4 LB-In	
Screw Size	M4,5	
Dimensions		
Pitch (mm)	10,16	
Poles	2 ~ 16 Pos.	
Materials		
Terminal Housing	Thermoplastic, UL94V-0	
Clamp	Brass Ni-plated	
Female Contact	Copper tin-plated	
Wire Guard	Stainless Steel	
Screw	Steel Ni-plated / Zinc plated	

No. of Pos.	L	B			Tol. A
02	21,12	10,16			± 0,25
03	31,28	20,32			± 0,25
04	41,44	30,48			± 0,25
05	51,60	40,64			± 0,25
06	61,76	50,80			± 0,35
07	71,92	60,96			± 0,35
08	82,08	71,12			± 0,35
09	92,24	81,28			± 0,45
10	102,40	91,44			± 0,45
11	112,56	101,60			± 0,45
12	122,72	111,76			± 0,45

**Pluggable Terminal Block
PCB Female Type**
Part No.: **A14U019**

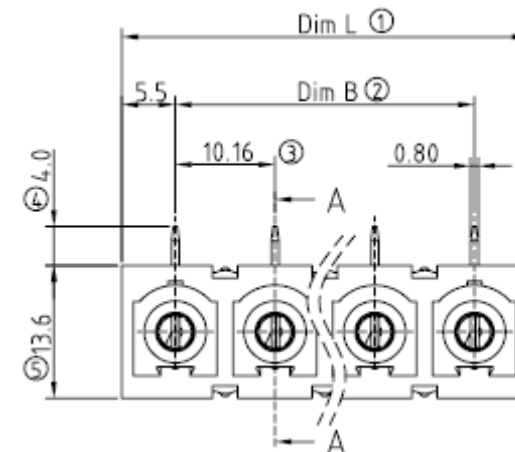
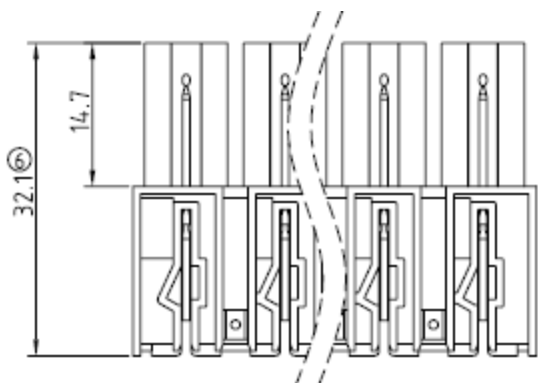
DRW:	Jason	CHKD	Wilson	MATL:	Wilson	TOLERANCE	Mason	DATE	14.04.2014
APPD:	Schumi			FINISH	Jamy		Sheet No.		1 from 4

Customer:
email: info@edcon-components.com

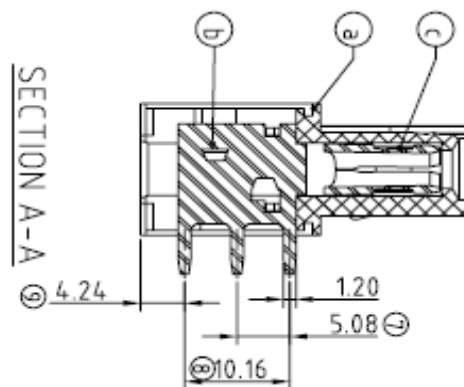
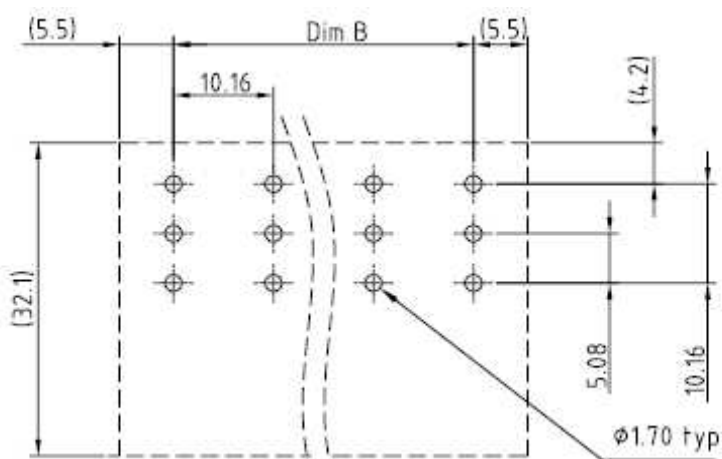
EDCON-COMPONENTS



Drawing (Dimension in mm)



PCB Layout



**Pluggable Terminal Block
PCB Female Type**

Part No.: **A14U019**

Customer:

DRW:	Jason	CHKD	Wilson	MATL:	Wilson	TOLERANCE	Mason	DATE	14.04.2014
APPD:	Schumi			FINISH	Jamy		Sheet No.	2 from 4	

EDCON-COMPONENTS



Ordering Informations

Serie	No. of Pos.	Body Color	special function	Approval Code	ROHS	Packing	EDCON Cust. No.	Customer Version		
-------	-------------	------------	------------------	---------------	------	---------	-----------------	------------------	--	--

A14U019	02	PG	X	N	R	B				
----------------	-----------	-----------	----------	----------	----------	----------	--	--	--	--

Pitch 10,16	02 = Number of Pos. Standard 2 ~ 12 Pos.	PG = Phoenix Green (Standard) WH = White GN = Green GY = Gray LG = Light Gray OR = Orange BL = Blue BK = Black		N = NON Approval A = UL /UR Approval Please consult EDCON for available B = VDE Approval Please consult EDCON for available C = TÜV Approval Please consult EDCON for available	R = ROHS Conform N = NON ROHS Conform	B = Bulk-Ware I = Individual Package	xxxxxx = Customer Number	xxx = Customer Version ??(Printing)		
----------------	--	---	--	---	--	---	---------------------------------	---	--	--

**Pluggable Terminal Block
PCB Female Type**

Part No.: **A14U019**

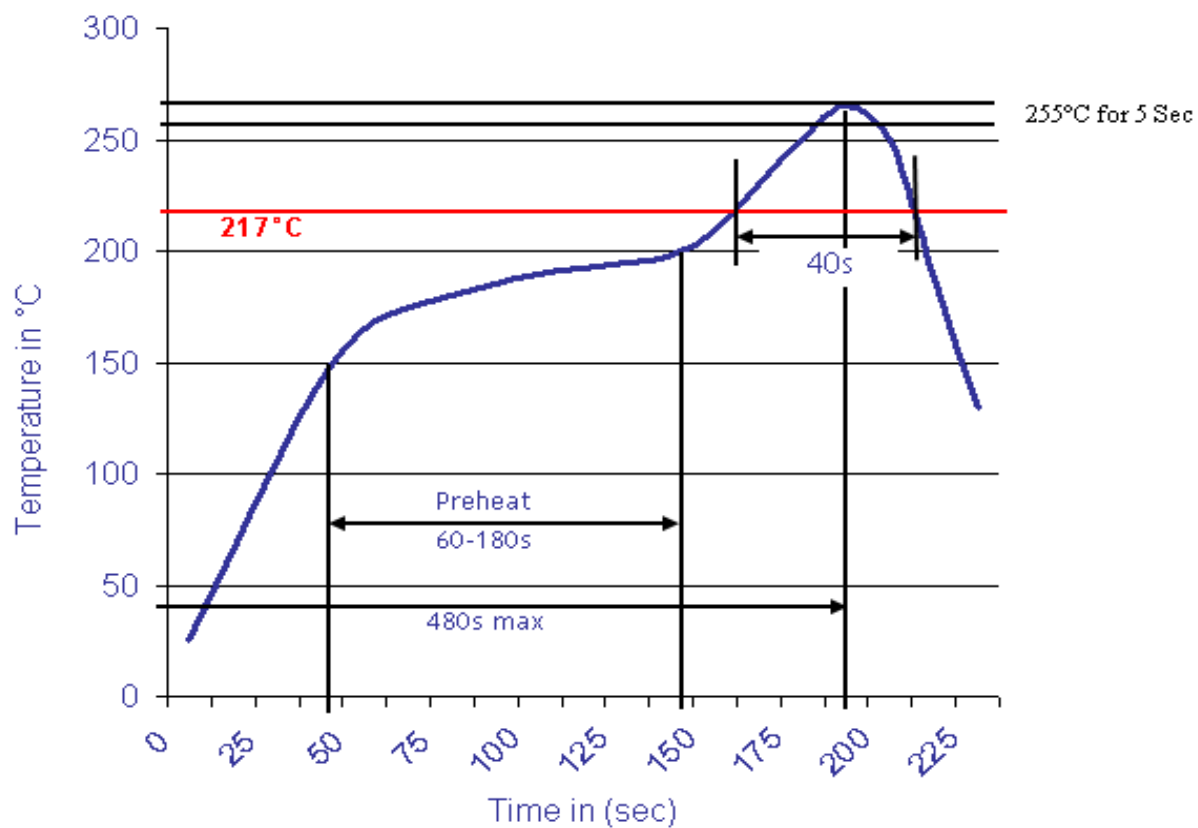
DRW:	Jason	CHKD	Wilson	MATL:	Wilson	TOLERANCE	Mason	DATE	14.04.2014
APPD:	Schumi			FINISH	Jamy		Sheet No.	3 from 4	

Customer:



Soldering Profile Curve

Classification Reflow Profile (JEDEC J-STD-020C)



**Pluggable Terminal Block
PCB Female Type**

Part No.: **A14U019**

DRW:	Jason	CHKD	Wilson	MATL:	Wilson	TOLERANCE	Mason	DATE	14.04.2014
APPD:	Schumi			FINISH	Jamy		Sheet No.	4 from 4	Customer: