

Data Sheet

Pluggable Terminal Block (Plug)

Pitch: 10,16 mm

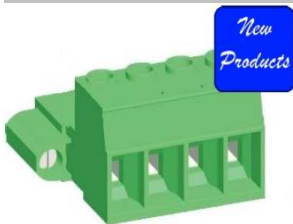
Serie: A14U016

Customer Information for special Item

EDCON Customer : 0

Customer Version No. : 0

EDCON-COMPONENTS



Technical Description

Drawing (Dimension in mm)

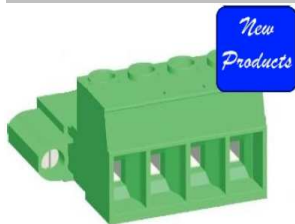
	Approvals	
	UR/US	IEC
Electrical		
Rated Voltage	300V	1000V
Rated Current	55A	76A
Wire Range	0,5 ~ 16mm ²	
Solid Wire	6 ~ 20	
Standed Wire	6 ~ 20	
Withstanding Voltage	1,6KV / 8KV	
Insulation Resistance	5000MΩ / 1000V	
Mechanical		
Operating Temperature	-40°C ~ +115°C	
Wire Strip Length	13-14mm	
Screw Torque	10,4 LB-In	
Screw Size	M4,5	
Dimensions		
Pitch (mm)	10,16	
Poles	2 ~ 16 Pos.	
Materials		
Terminal Housing	Thermoplastic, UL94V-0	
Clamp	Brass Ni-plated	
Female Contact	Copper tin-plated	
Wire Guard	Stainless Steel	
Screw	Steel Ni-plated / Zinc plated	

No. of Pos.	A	B	C	D	Tol. A
02	40,08	22,16	30,48	10,16	± 0,25
03	50,24	32,32	40,64	20,32	± 0,25
04	60,40	42,48	50,80	30,48	± 0,25
05	70,56	52,64	60,96	40,64	± 0,30
06	80,72	62,80	71,12	50,80	± 0,30
07	90,88	72,96	81,28	60,96	± 0,30
08	101,04	83,12	91,44	71,12	± 0,35
09	111,20	93,28	101,60	81,28	± 0,35
10	121,36	103,44	111,76	91,44	± 0,35
11	131,52	113,60	121,92	101,60	± 0,45
12	141,68	123,76	132,08	111,76	± 0,45

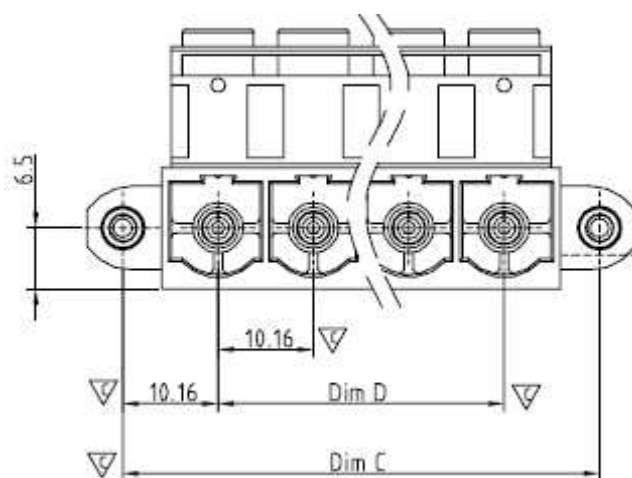
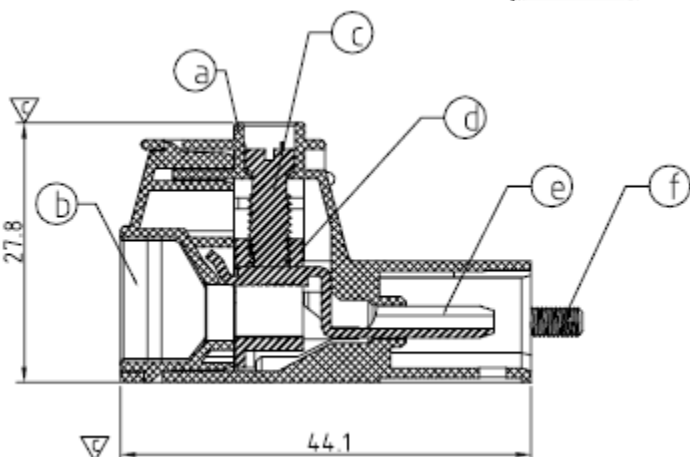
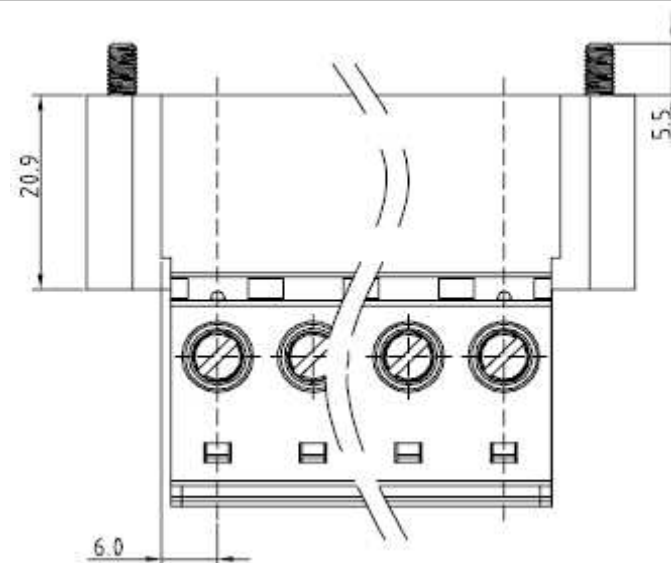
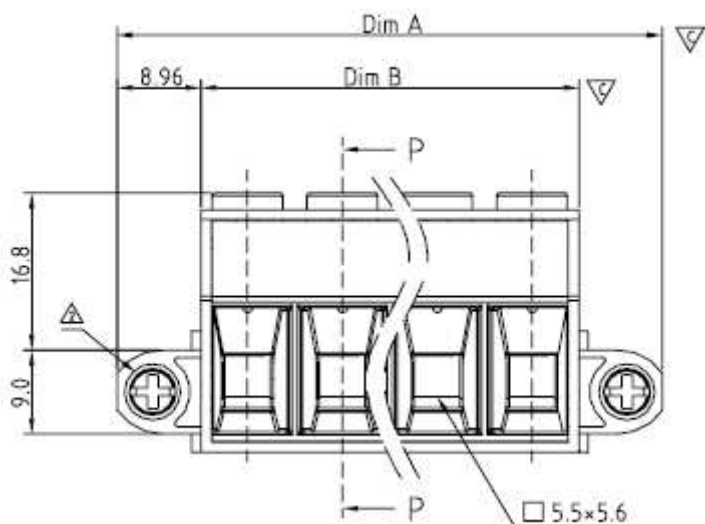
Pluggable Terminal Block (Plug)
Part No.: **A14U016**

DRW: Jason	CHKD: Wilson	MATL: Wilson	TOLERANCE: Mason	DATE: 03.02.2011	Customer:
APPD: Schumi	FINISH: Jamy	Sheet No.	1 from 3		

EDCON-COMPONENTS



Drawing (Dimension in mm)



**Pluggable Terminal Block
(Plug)**

Part No.: **A14U016**

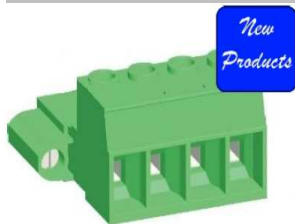
Customer:

DRW:	Jason	CHKD	Wilson	MATL:	Wilson	TOLERANCE	Mason	DATE	03.02.2011
APPD:	Schumi			FINISH	Jamy		Sheet No.	2 from 3	

www.edcon-components.com

email: info@edcon-components.com



EDCON-COMPONENTS



Ordering Informations

Serie	No. of Pos.	Body Color	Screw Type	Approval Code	ROHS	Packing	EDCON Cust. No.	Customer Version		
-------	-------------	------------	------------	---------------	------	---------	-----------------	------------------	--	--

A14U016	02	PG	A	N	R	B				
----------------	-----------	-----------	----------	----------	----------	----------	--	--	--	--

Pitch 10,16	02 = Number of Pos. Standard 2 ~ 12Pos.	PG = Phoenix Green (Standard) WH = White GN = Green GY = Gray LG = Light Gray OR = Orange BL = Blue BK = Black	A = Slotted Screw Type (Standard)  B = Cross Slotted Screw Type 	N = NON Approval A = UL /UR Approval Please consult EDCON for available B = VDE Approval Please consult EDCON for available C = TÜV Approval Please consult EDCON for available	R = ROHS Conform N = NON ROHS Conform	B = Bulk-Ware I = Individual Package	xxxxxx = Customer Number	xxx = Customer Version ??(Printing)		
----------------	---	---	---	---	--	---	---------------------------------	---	--	--

Pluggable Terminal Block (Plug)

Part No.: **A14U016**

DRW:	Jason	CHKD	Wilson	MATL:	Wilson	TOLERANCE	Mason	DATE	03.02.2011
APPD:	Schumi			FINISH	Jamy			Sheet No.	3 from 3

Customer: email: info@edcon-components.com