

# Data Sheet

## Pluggable Terminal Block PCB Male Type

**Pitch: 10,16 mm**

**Serie: A14U011**

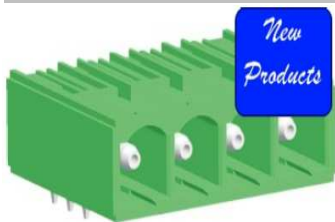
### Customer Information for special Item

**EDCON Customer : 0**

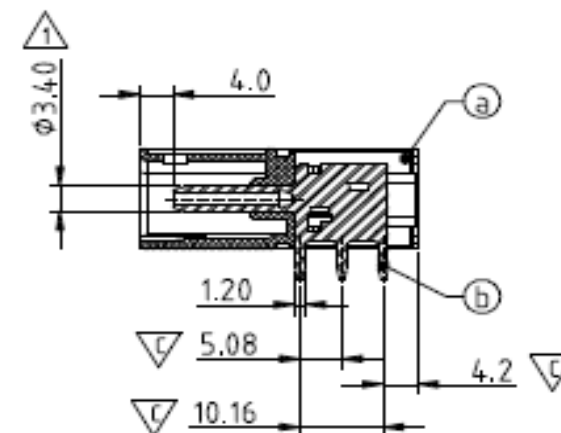
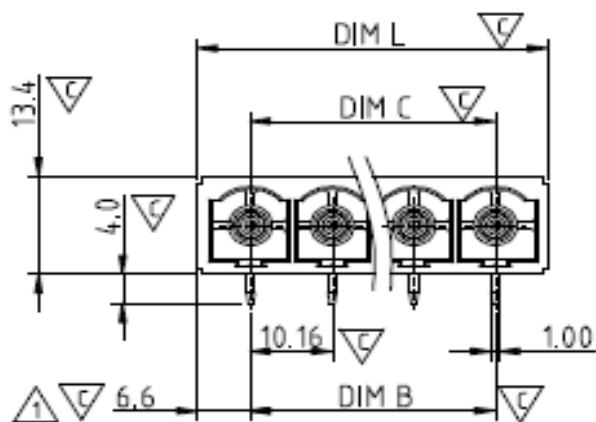
**Customer Version No. : 0**



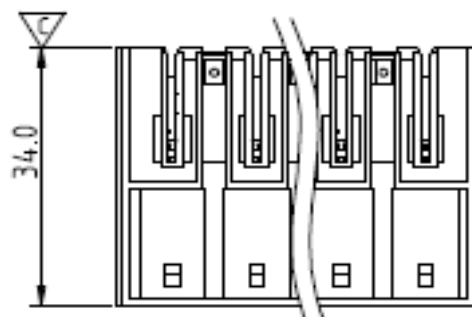
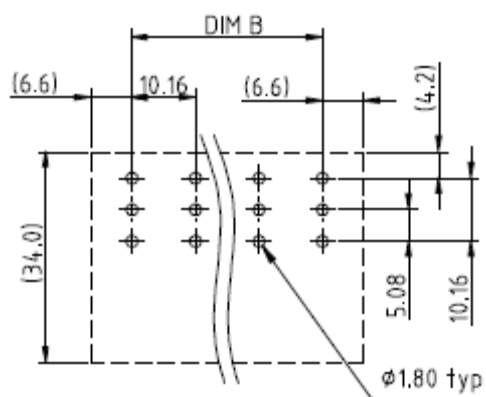
# EDCON-COMPONENTS



Drawing (Dimension in mm)



## PCB Layout



### Pluggable Terminal Block PCB Male Type

Part No.: **A14U011**

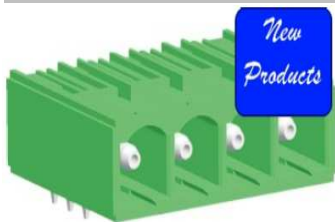
Customer:

DRW:	Jason	CHKD	Wilson	MATL:	Wilson	TOLERANCE	Mason	DATE	14.04.2014
APPD:	Schumi			FINISH	Jamy		Sheet No.	2 from 4	

[www.edcon-components.com](http://www.edcon-components.com)

email: [info@edcon-components.com](mailto:info@edcon-components.com)

# EDCON-COMPONENTS



## Ordering Informations

Serie	No. of Pos.	Body Color	special function	Approval Code	ROHS	Packing	EDCON Cust. No.	Customer Version		
-------	-------------	------------	------------------	---------------	------	---------	-----------------	------------------	--	--

<b>A14U011</b>	<b>02</b>	<b>PG</b>	<b>X</b>	<b>N</b>	<b>R</b>	<b>B</b>				
----------------	-----------	-----------	----------	----------	----------	----------	--	--	--	--

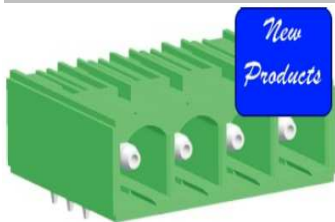
Pitch 10,16	<b>02</b> = Number of Pos. Standard 2 ~ 12 Pos.	<b>PG</b> = Phoenix Green (Standard) <b>WH</b> = White <b>GN</b> = Green <b>GY</b> = Gray <b>LG</b> = Light Gray <b>OR</b> = Orange <b>BL</b> = Blue <b>BK</b> = Black		<b>N</b> = NON Approval <b>A</b> = UL /UR Approval Please consult EDCON for available <b>B</b> = VDE Approval Please consult EDCON for available <b>C</b> = TÜV Approval Please consult EDCON for available	<b>R</b> = ROHS Conform <b>N</b> = NON ROHS Conform	<b>B</b> = Bulk-Ware <b>I</b> = Individual Package	<b>xxxxxx</b> = Customer Number	<b>xxx</b> = Customer Version ??(Printing)		
----------------	--	---	--	---	--	---	---------------------------------	---	--	--

**Pluggable Terminal Block  
PCB Male Type**

Part No.: **A14U011**

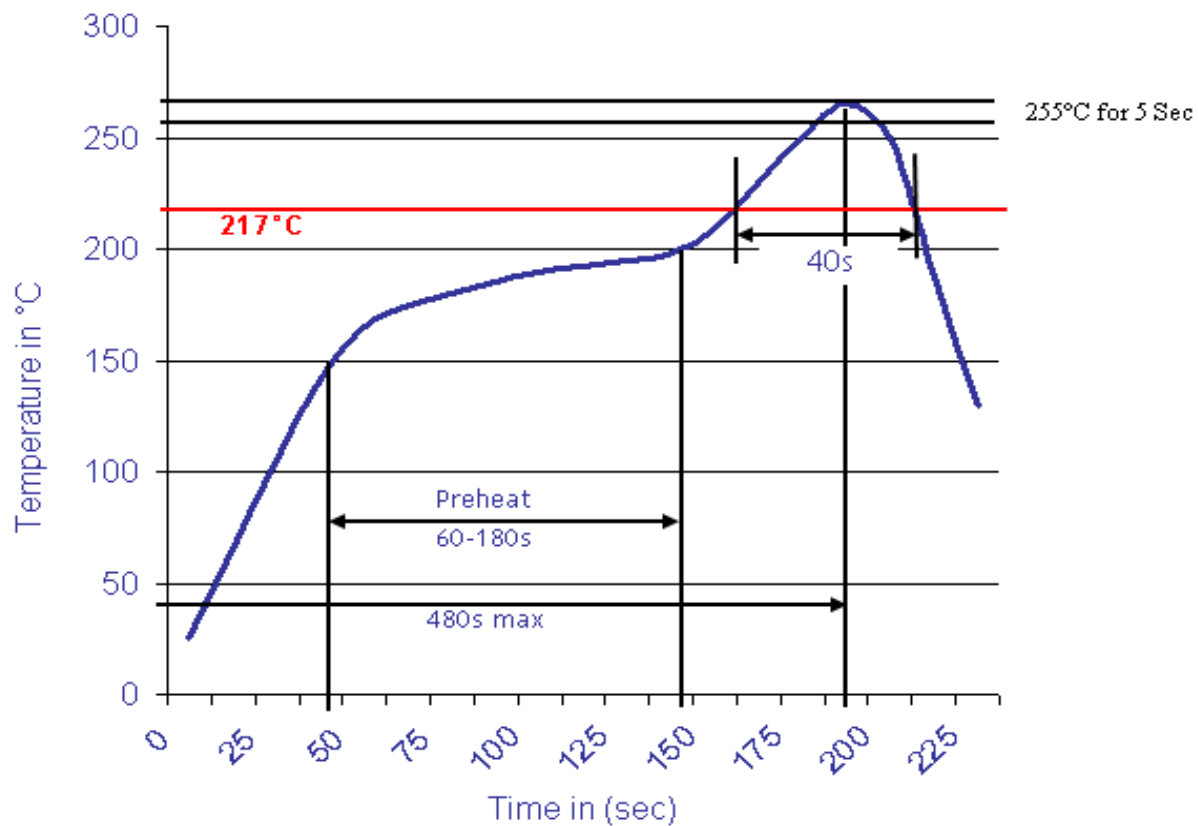
DRW:	Jason	CHKD	Wilson	MATL:	Wilson	TOLERANCE	Mason	DATE	14.04.2014
APPD:	Schumi			FINISH	Jamy		Sheet No.		3 from 4

Customer:



Soldering Profile Curve

Classification Reflow Profile (JEDEC J-STD-020C)



**Pluggable Terminal Block  
PCB Male Type**

Part No.: **A14U011**

DRW:	Jason	CHKD	Wilson	MATL:	Wilson	TOLERANCE	Mason	DATE	14.04.2014
APPD:	Schumi			FINISH	Jamy		Sheet No.	4 from 4	Customer: