

# Data Sheet

## Pluggable Terminal Block (Plug)

**Pitch: 10,16 mm**

**Serie: A14U005**

### Customer Information for special Item

**EDCON Customer : 0**

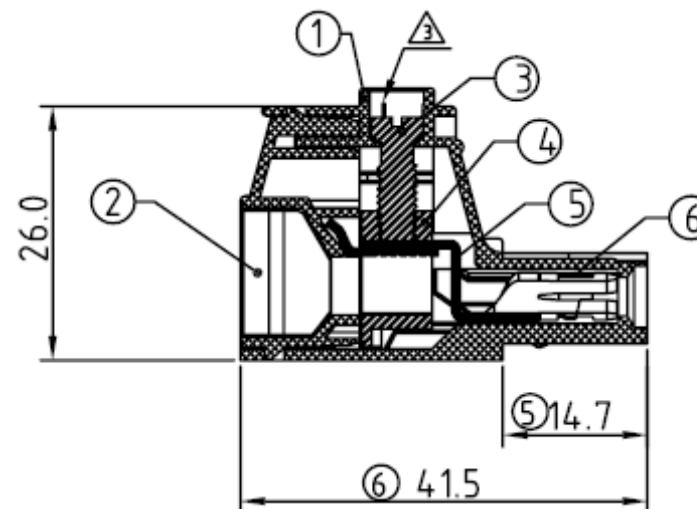
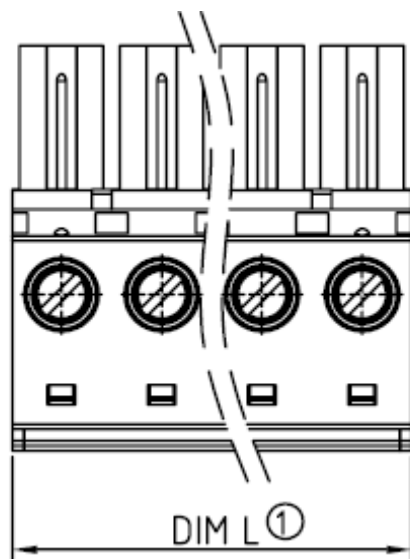
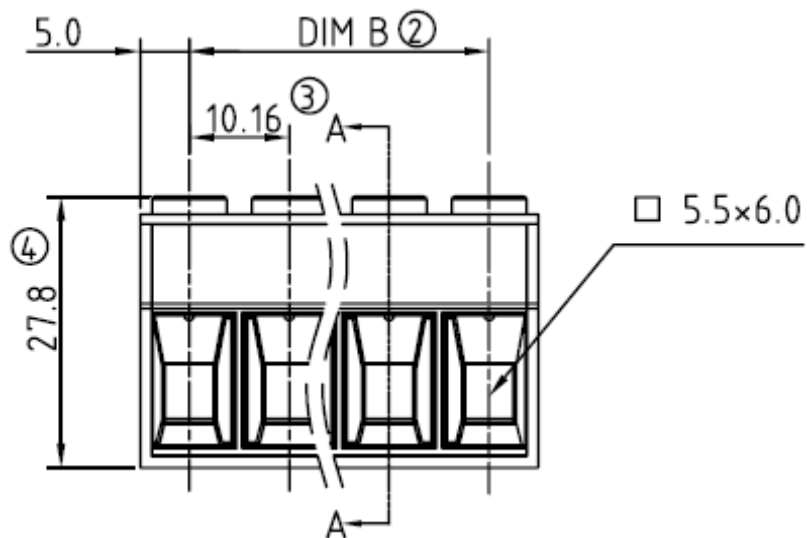
**Customer Version No. : 0**



# EDCON-COMPONENTS



Drawing (Dimension in mm)



**Pluggable Terminal Block  
(Plug)**

Part No.: **A14U005**

Customer:

DRW:	Jason	CHKD	Wilson	MATL:	Wilson	TOLERANCE	Mason	DATE	03.02.2011
APPD:	Schumi			FINISH	Jamy		Sheet No.	2 from 3	

[www.edcon-components.com](http://www.edcon-components.com)

email: [info@edcon-components.com](mailto:info@edcon-components.com)



# EDCON-COMPONENTS



## Ordering Informations

Serie	No. of Pos.	Body Color	Screw Type	Approval Code	ROHS	Packing	EDCON Cust. No.	Customer Version		
<b>A14U005</b>	<b>02</b>	<b>PG</b>	<b>A</b>	<b>N</b>	<b>R</b>	<b>B</b>				

Pitch  
10,16

02= Number of Pos. Standard 2 ~ 12Pos.	PG= Phoenix Green (Standard)	A= Slotted Screw Type (Standard) 	N= NON Approval	R= ROHS Conform	B= Bulk-Ware I= Individual Package	xxxxxx= Customer Number	xxx= Customer Version ??(Printing)
	WH= White		A= UL /UR Approval Please consult EDCON for available	N= NON ROHS Conform			
	GN= Green	B= Cross Slotted Screw Type 	B= VDE Approval Please consult EDCON for available	C= TÜV Approval Please consult EDCON for available			
	GY= Gray						
	LG= Light Gray						
	OR= Orange						
	BL= Blue						
BK= Black							

**Pluggable Terminal Block (Plug)**

Part No.: **A14U005**

DRW:	Jason	CHKD	Wilson	MATL:	Wilson	TOLERANCE	Mason	DATE	03.02.2011
APPD:	Schumi			FINISH	Jamy		Sheet No.		3 from 3

Customer: