

Data Sheet

Pluggable Terminal Block (Wafer)

Pitch: 7,62 mm

Serie: A14R048

Customer Information for special Item

EDCON Customer : 0

Customer Version No. : 0

EDCON-COMPONENTS



Technical Discription

Drawing (Dimension in mm)

	UR/US	IEC
Electrical		
Rated Voltage	300V	400V
Rated Current	32A	20A
Wire Range		
Withstanding Voltage	1,6KV	6KV
Insulation Resistance	5000MΩ / 1000V	
Mechanical		
Operating Temperature	. -40°C ~ +115°C	
Dimensions		
Pitch (mm)	7,62	
Poles	2 ~ 16 Pos.	
Materials		
Terminal Housing	Thermoplastic, UL94V-0	
Male Contact	Copper tin-plated	

No. of Pos.	A	B			Tol.
02	30,48	7,62			± 0,15
03	38,10	15,24			± 0,15
04	45,72	22,86			± 0,15
05	53,34	30,48			± 0,15
06	60,96	38,10			± 0,15
07	68,58	45,72			± 0,20
08	76,20	53,34			± 0,20
09	83,82	60,96			± 0,20
10	91,44	68,58			± 0,20
11	99,06	76,20			± 0,20
12	106,68	83,82			± 0,20
13	114,30	91,44			± 0,30
14	121,92	99,06			± 0,30
15	129,54	106,68			± 0,30
16	137,16	114,30			± 0,30

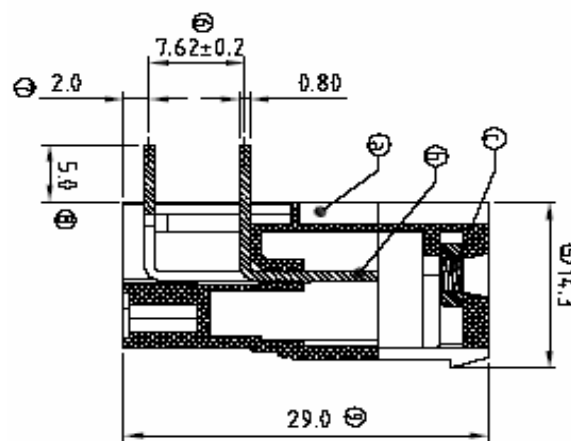
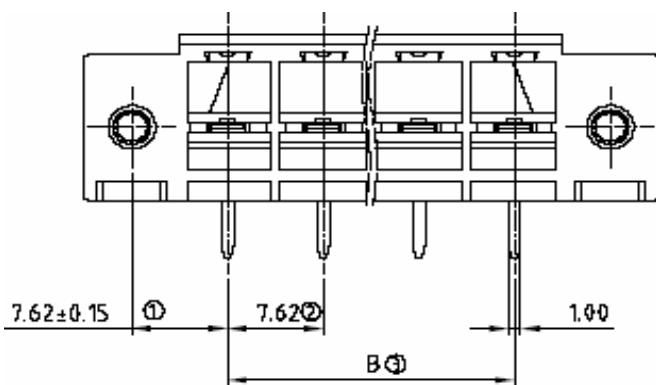
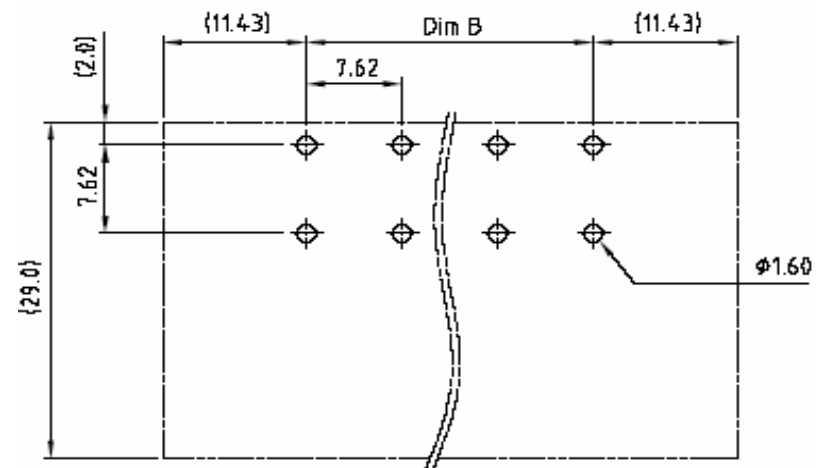
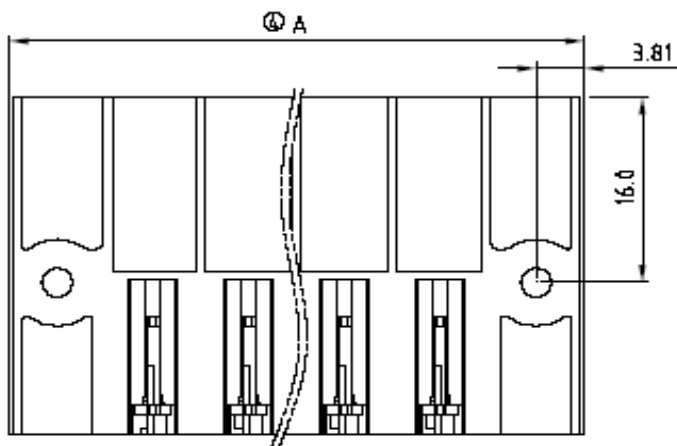
Pluggable Terminal Block (Wafer)	
Part No.:	A14R048
Customer:	

DRW:	Jason	CHKD	Wilson	MATL:	Wilson	TOLERANCE	Mason	DATE	31.05.2012
APPD:	Schumi			FINISH	Jamy		Sheet No.		1 from 4

EDCON-COMPONENTS



Drawing (Dimension in mm)



**Pluggable Terminal Block
(Wafer)**

Part No.: **A14R048**

Customer:

DRW:	Jason	CHKD	Wilson	MATL:	Wilson	TOLERANCE	Mason	DATE	31.05.2012
APPD:	Schumi			FINISH	Jamy		Sheet No.	2 from 4	

www.edcon-components.com

email: info@edcon-components.com

EDCON-COMPONENTS



Ordering Informations

Serie	No. of Pos.	Body Color	special function	Approval Code	ROHS	Packing	EDCON Cust. No.	Customer Version		
A14R048	02	PG	N	N	R	B				

Pitch 7,62	02 = Number of Pos.	PG = Phoenix Green (Standard)	N = No function	N = NON Approval	R = ROHS Conform	B = Bulk-Ware	xxxxxx = Customer Number	xxx = Customer Version ??(Printing)
	Standard 2 ~ 16Pos.	WH = White		A = UL /UR Approval Please consult EDCON for available	N = NON ROHS Conform			
		GN = Green		B = VDE Approval Please consult EDCON for available				
		GY = Gray						
		LG = Light Gray						
		OR = Orange						
		BL = Blue						
		BK = Black		C = TÜV Approval Please consult EDCON for available				

Pluggable Terminal Block (Wafer)

Part No.: **A14R048**

DRW:	Jason	CHKD	Wilson	MATL:	Wilson	TOLERANCE	Mason	DATE	31.05.2012
APPD:	Schumi			FINISH	Jamy		Sheet No.		3 from 4

Customer:



Soldering Profile Curve

Classification Reflow Profile (JEDEC J-STD-020C)



Pluggable Terminal Block (Wafer)

Part No.: **A14R048**

Customer:

DRW:	Jason	CHKD	Wilson	MATL:	Wilson	TOLERANCE	Mason	DATE	31.05.2012
APPD:	Schumi			FINISH	Jamy		Sheet No.	4 from 4	