

Data Sheet

Pluggable Terminal Block (Wafer)

Pitch: 7,62 mm

Serie: A14R047

Customer Information for special Item

EDCON Customer : 0

Customer Version No. : 0

EDCON-COMPONENTS



Technical Description

Drawing (Dimension in mm)

	UR/US	IEC
Electrical		
Rated Voltage	300V	400V
Rated Current	32A	20A
Wire Range		
Withstanding Voltage	1,6KV	6KV
Insulation Resistance	5000MΩ / 1000V	
Mechanical		
Operating Temperature	-40°C ~ +115°C	
Dimensions		
Pitch (mm)	7,62	
Poles	2 ~ 16 Pos.	
Materials		
Terminal Housing	Thermoplastic, UL94V-0	
Male Contact	Copper tin-plated	

No. of Pos.	A	B			Tol.
02	15,24	7,62			± 0,20
03	22,86	15,24			± 0,20
04	30,48	22,86			± 0,20
05	38,10	30,48			± 0,20
06	45,72	38,10			± 0,30
07	53,34	45,72			± 0,30
08	60,96	53,34			± 0,30
09	68,58	60,96			± 0,30
10	76,20	68,58			± 0,30
11	83,82	76,20			± 0,35
12	91,44	83,82			± 0,35
13	99,06	91,44			± 0,35
14	106,68	99,06			± 0,40
15	114,30	106,68			± 0,40
16	121,92	114,30			± 0,40

**Pluggable Terminal Block
(Wafer)**

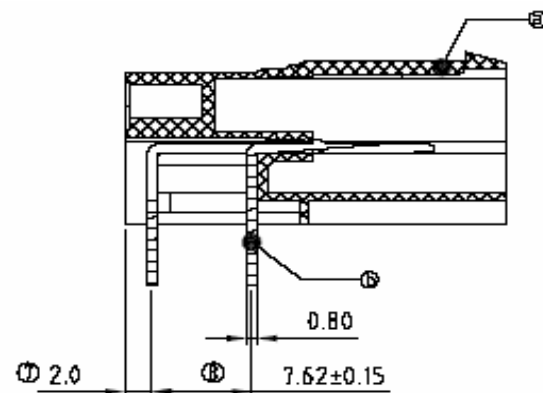
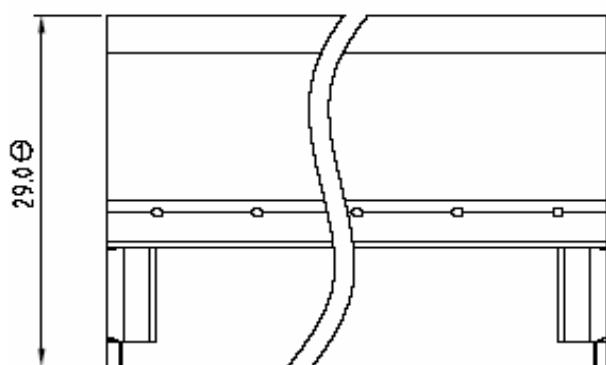
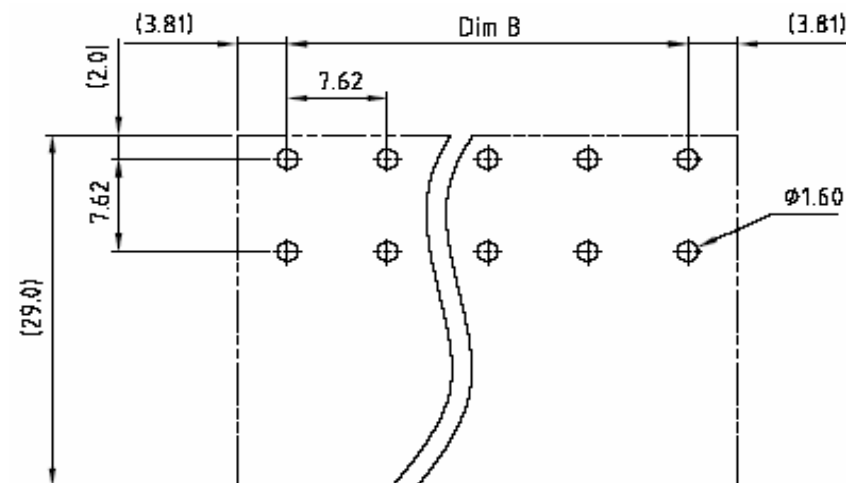
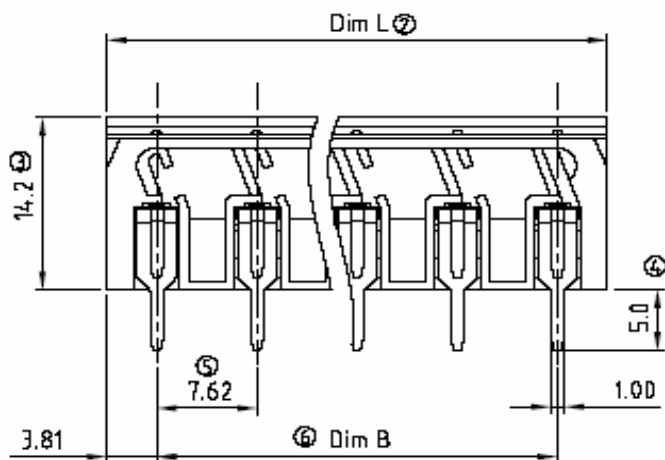
Part No.: **A14R047**

DRW:	Jason	CHKD	Wilson	MATL:	Wilson	TOLERANCE	Mason	DATE	31.05.2012	Customer:
APPD:	Schumi			FINISH	Jamy		Sheet No.	1 from 4		

EDCON-COMPONENTS



Drawing (Dimension in mm)



**Pluggable Terminal Block
(Wafer)**

Part No.: **A14R047**

Customer:

DRW:	Jason	CHKD	Wilson	MATL:	Wilson	TOLERANCE	Mason	DATE	31.05.2012
APPD:	Schumi			FINISH	Jamy		Sheet No.	2 from 4	

www.edcon-components.com

email: info@edcon-components.com

EDCON-COMPONENTS



Ordering Informations

Serie	No. of Pos.	Body Color	Screw Type	Approval Code	ROHS	Packing	EDCON Cust. No.	Customer Version		
-------	-------------	------------	------------	---------------	------	---------	-----------------	------------------	--	--

A14R047	02	PG	N	N	R	B				
----------------	-----------	-----------	----------	----------	----------	----------	--	--	--	--

Pitch 7,62	02 = Number of Pos. Standard 2 ~ 16Pos.	PG = Phoenix Green (Standard) WH = White GN = Green GY = Gray LG = Light Gray OR = Orange BL = Blue BK = Black	N = No function	N = NON Approval A = UL /UR Approval Please consult EDCON for available B = VDE Approval Please consult EDCON for available C = TÜV Approval Please consult EDCON for available	R = ROHS Conform N = NON ROHS Conform	B = Bulk-Ware I = Individual Package	xxxxxx = Customer Number	xxx = Customer Version ??(Printing)		
---------------	---	---	------------------------	--	--	---	---------------------------------	--	--	--

Pluggable Terminal Block (Wafer)

Part No.: **A14R047**

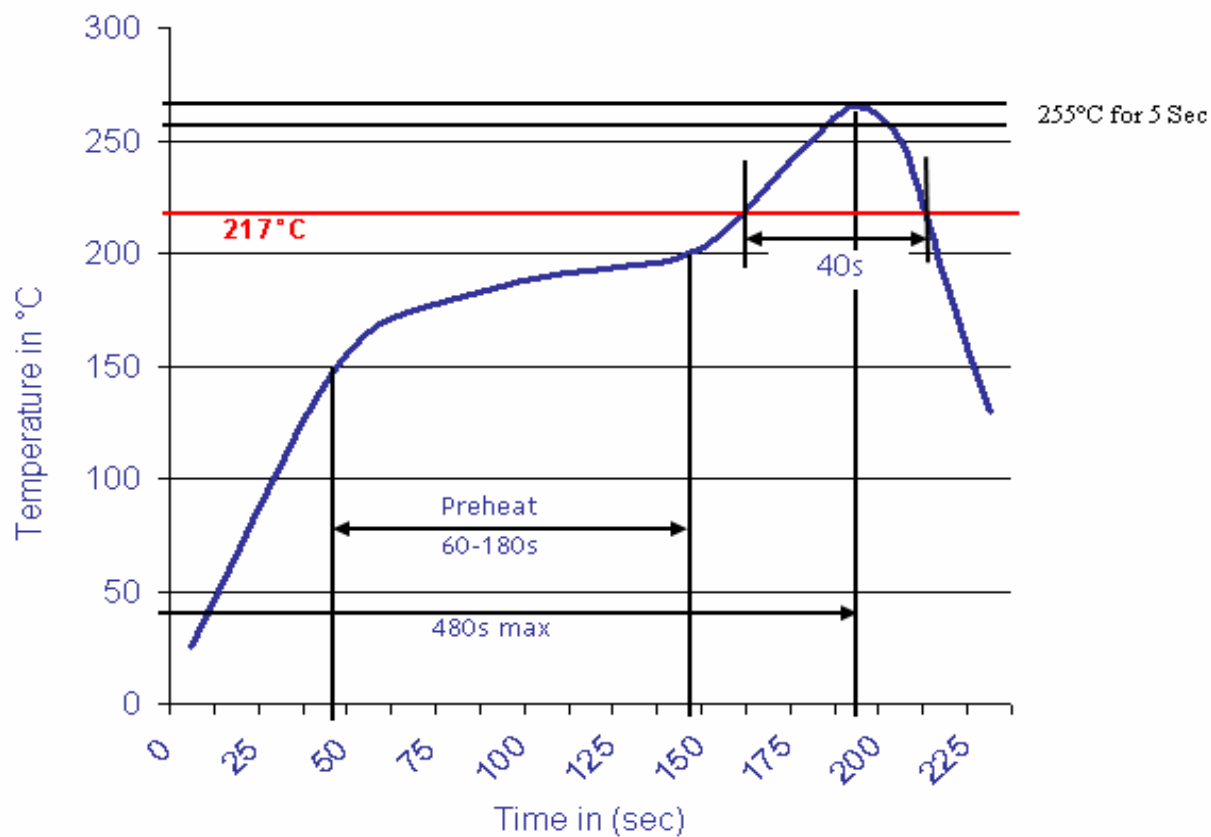
DRW:	Jason	CHKD	Wilson	MATL:	Wilson	TOLERANCE	Mason	DATE	31.05.2012
APPD:	Schumi			FINISH	Jamy			Sheet No.	3 from 4

Customer:



Soldering Profile Curve

Classification Reflow Profile (JEDEC J-STD-020C)



**Pluggable Terminal Block
(Wafer)**

Part No.: **A14R047**

Customer:

DRW:	Jason	CHKD	Wilson	MATL:	Wilson	TOLERANCE	Mason	DATE	31.05.2012
APPD:	Schumi			FINISH	Jamy		Sheet No.	4 from 4	