

# Data Sheet

## Pluggable Terminal Block (Plug)

**Pitch: 7,62 mm**

**Serie: A14R046**

### Customer Information for special Item

**EDCON Customer : 0**

**Customer Version No. : 0**

# EDCON-COMPONENTS



## Technical Description

## Drawing (Dimension in mm)

	UR/US	
<b>Electrical</b>		
Rated Voltage	300V	
Rated Current	20A	
Wire Range		
Solid Wire	12 ~ 22	
Standed Wire	12 ~ 22	
Withstanding Voltage	1,6KV	
Insulation Resistance	5000MΩ / 1000V	
<b>Mechanical</b>		
Operating Temperature	-40°C ~ +115°C	
Wire Strip Length	8-9mm	
Screw Torque	3,5 LB-In	
Screw Size	M2,5	
<b>Dimensions</b>		
Pitch (mm)	7,62	
Poles	2 ~ 16 Pos.	
<b>Materials</b>		
Terminal Housing	Thermoplastic, UL94V-0	
Clamp	Steel / Zinc plated	
Female Contact	Copper tin-plated	
Wire Guard	Stainless Steel	
Screw	Steel Ni-plated / Zinc plated	
Clamp Cage	Steel / Zinc plated	

No. of Pos.	A	B			Tol.
02	13,24	7,62			± 0,20
03	20,86	15,24			± 0,20
04	28,48	22,86			± 0,20
05	36,10	30,48			± 0,20
06	43,72	38,10			± 0,20
07	51,34	45,72			± 0,30
08	58,96	53,34			± 0,30
09	66,58	60,96			± 0,30
10	74,20	68,58			± 0,30
11	81,82	76,20			± 0,30
12	89,44	83,82			± 0,30
13	97,06	91,44			± 0,40
14	104,68	99,06			± 0,40
15	112,30	106,68			± 0,40
16	119,92	114,30			± 0,40

### Pluggable Terminal Block (Plug)

Part No.: **A14R046**

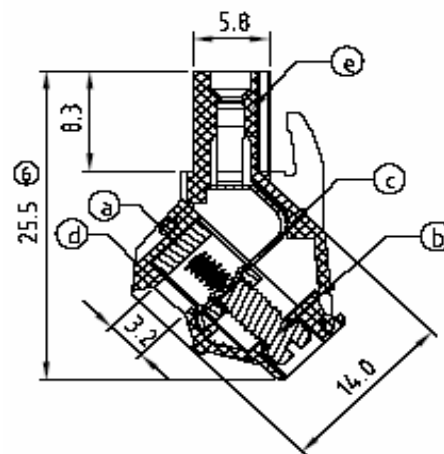
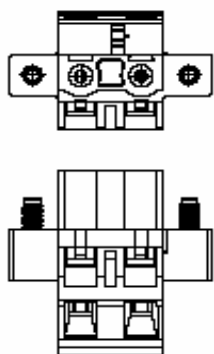
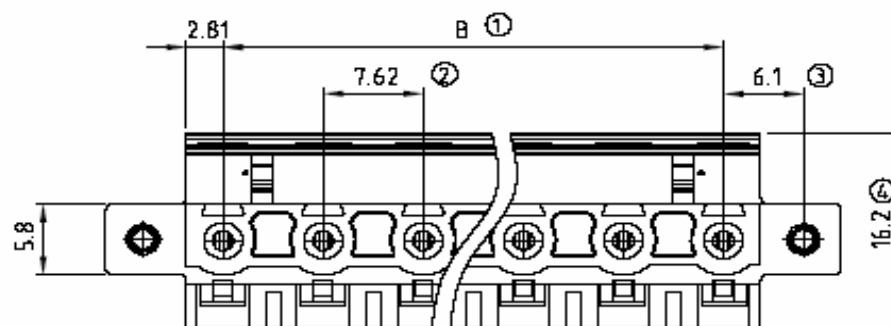
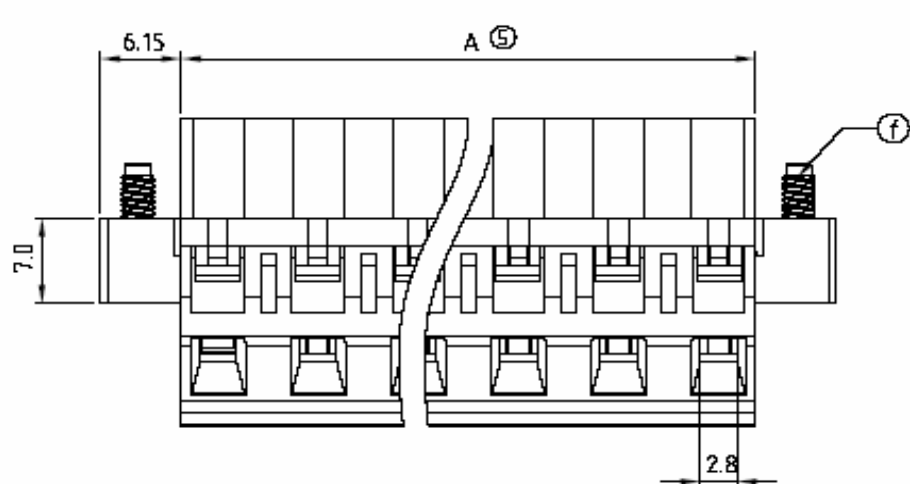
Customer:

DRW:	Jason	CHKD	Wilson	MATL:	Wilson	TOLERANCE	Mason	DATE	31.05.2012
APPD:	Schumi			FINISH	Jamy		Sheet No.		1 from 3

# EDCON-COMPONENTS



Drawing (Dimension in mm)



**Pluggable Terminal Block  
(Plug)**

Part No.: **A14R046**

Customer:

DRW:	Jason	CHKD	Wilson	MATL:	Wilson	TOLERANCE	Mason	DATE	31.05.2012
APPD:	Schumi			FINISH	Jamy		Sheet No.	2 from 3	



# EDCON-COMPONENTS



## Ordering Informations

Serie	No. of Pos.	Body Color	Screw Type	Approval Code	ROHS	Packing	EDCON Cust. No.	Customer Version		
-------	-------------	------------	------------	---------------	------	---------	-----------------	------------------	--	--

<b>A14R046</b>	<b>02</b>	<b>PG</b>	<b>A</b>	<b>N</b>	<b>R</b>	<b>B</b>				
----------------	-----------	-----------	----------	----------	----------	----------	--	--	--	--

Pitch 7,62	<b>02</b> = Number of Pos. Standard 2 ~ 16Pos.	<b>PG</b> = Phoenix Green (Standard) <b>WH</b> = White <b>GN</b> = Green <b>GY</b> = Gray <b>LG</b> = Light Gray <b>OR</b> = Orange <b>BL</b> = Blue <b>BK</b> = Black	<b>A</b> = Slotted Screw Type (Standard)  <b>B</b> = Cross Slotted Screw Type 	<b>N</b> = NON Approval <b>A</b> = UL /UR Approval Please consult EDCON for available <b>B</b> = VDE Approval Please consult EDCON for available <b>C</b> = TÜV Approval Please consult EDCON for available	<b>R</b> = ROHS Conform <b>N</b> = NON ROHS Conform	<b>B</b> = Bulk-Ware <b>I</b> = Individual Package	<b>xxxxxx</b> = Customer Number	<b>xxx</b> = Customer Version ??(Printing)		
---------------	---	---	---	--	--	---	---------------------------------	--	--	--

**Pluggable Terminal Block (Plug)**

Part No.: **A14R046**

DRW:	Jason	CHKD	Wilson	MATL:	Wilson	TOLERANCE	Mason	DATE	31.05.2012
APPD:	Schumi			FINISH	Jamy			Sheet No.	3 from 3

Customer: