

Data Sheet

Pluggable Terminal Block (Plug)

Pitch: 7,62 mm

Serie: A14R045

Customer Information for special Item

EDCON Customer : 0

Customer Version No. : 0

EDCON-COMPONENTS



Technical Description

Drawing (Dimension in mm)

	UR/US	
Electrical		
Rated Voltage	300V	
Rated Current	20A	
Wire Range		
Solid Wire	12 ~ 22	
Standed Wire	12 ~ 22	
Withstanding Voltage	1,6KV	
Insulation Resistance	5000MΩ / 1000V	
Mechanical		
Operating Temperature	-40°C ~ +115°C	
Wire Strip Length	8-9mm	
Screw Torque	3,5 LB-In	
Screw Size	M2,5	
Dimensions		
Pitch (mm)	7,62	
Poles	2 ~ 16 Pos.	
Materials		
Terminal Housing	Thermoplastic, UL94V-0	
Clamp	Steel / Zinc plated	
Female Contact	Copper tin-plated	
Wire Guard	Stainless Steel	
Screw	Steel Ni-plated / Zinc plated	
Clamp Cage	Steel / Zinc plated	

No. of Pos.	A	B			Tol.
02	13,24	7,62			± 0,20
03	20,86	15,24			± 0,20
04	28,48	22,86			± 0,20
05	36,10	30,48			± 0,20
06	43,72	38,10			± 0,20
07	51,34	45,72			± 0,30
08	58,96	53,34			± 0,30
09	66,58	60,96			± 0,30
10	74,20	68,58			± 0,30
11	81,82	76,20			± 0,30
12	89,44	83,82			± 0,30
13	97,06	91,44			± 0,40
14	104,68	99,06			± 0,40
15	112,30	106,68			± 0,40
16	119,92	114,30			± 0,40

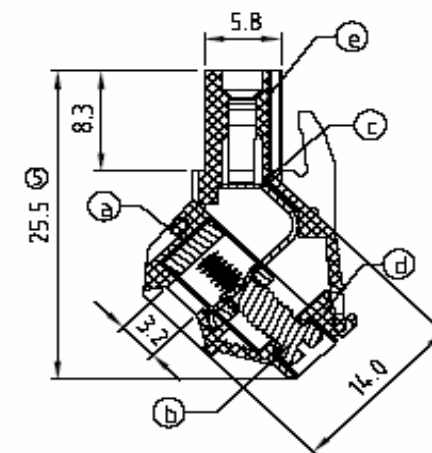
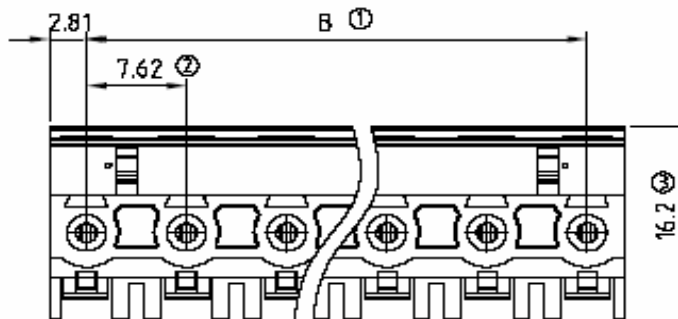
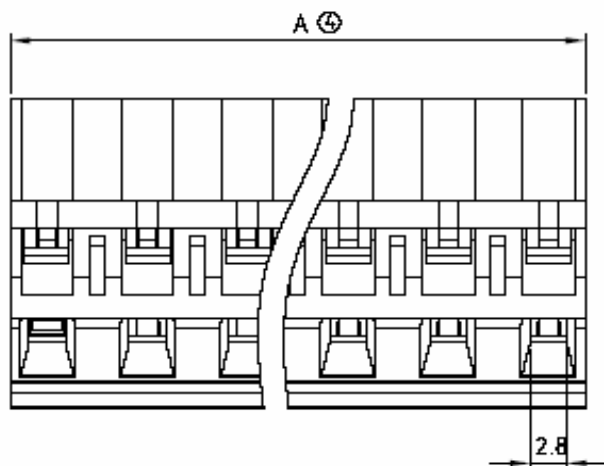
Pluggable Terminal Block (Plug)	
Part No.:	A14R045
Customer:	

DRW:	Jason	CHKD	Wilson	MATL:	Wilson	TOLERANCE	Mason	DATE	31.05.2012
APPD:	Schumi			FINISH	Jamy		Sheet No.		1 from 3

EDCON-COMPONENTS



Drawing (Dimension in mm)



**Pluggable Terminal Block
(Plug)**

Part No.: **A14R045**

Customer:

DRW:	Jason	CHKD	Wilson	MATL:	Wilson	TOLERANCE	Mason	DATE	31.05.2012
APPD:	Schumi			FINISH	Jamy		Sheet No.	2 from 3	

www.edcon-components.com

email: info@edcon-components.com



EDCON-COMPONENTS



Ordering Informations

Serie	No. of Pos.	Body Color	Screw Type	Approval Code	ROHS	Packing	EDCON Cust. No.	Customer Version		
A14R045	02	PG	A	N	R	B				

Pitch
7,62

02= Number of Pos. Standard 2 ~ 16Pos.	PG= Phoenix Green (Standard)	A= Slotted Screw Type (Standard) 	N= NON Approval	R= ROHS Conform	B= Bulk-Ware I= Individual Package	xxxxxx= Customer Number	xxx= Customer Version ??(Printing)
	WH= White		A= UL /UR Approval Please consult EDCON for available	N= NON ROHS Conform			
	GN= Green	B= Cross Slotted Screw Type 	B= VDE Approval Please consult EDCON for available	C= TÜV Approval Please consult EDCON for available			
	GY= Gray						
	LG= Light Gray						
	OR= Orange						
	BL= Blue						
	BK= Black						

Pluggable Terminal Block (Plug)

Part No.: **A14R045**

DRW:	Jason	CHKD	Wilson	MATL:	Wilson	TOLERANCE	Mason	DATE	31.05.2012
APPD:	Schumi			FINISH	Jamy			Sheet No.	3 from 3

Customer: