

Data Sheet

Pluggable Terminal Block (Plug)

Pitch: 7,62 mm

Serie: A14R041

Customer Information for special Item

EDCON Customer : 0

Customer Version No. : 0

EDCON-COMPONENTS



Technical Description

Drawing (Dimension in mm)

	UR/US	TÜV
Electrical		
Rated Voltage	300V	750
Rated Current	15A	15A
Wire Range	0,2~2,5mm ²	
Solid Wire	12 ~ 24	
Standed Wire	12 ~ 24	
Withstanding Voltage	1,6KV	
Insulation Resistance	5000MΩ / 1000V	
Mechanical		
Operating Temperature	-40°C ~ +115°C	
Wire Strip Length	6-7mm	
Screw Torque	3,5 LB-In	
Screw Size	M3	
Dimensions		
Pitch (mm)	7,62	
Poles	2 ~ 16 Pos.	
Materials		
Terminal Housing	Thermoplastic, UL94V-0	
Clamp	Brass Ni-plated	
Female Contact	Copper tin-plated	
Wire Guard	Stainless Steel	
Screw	Steel Ni-plated / Zinc plated	

No. of Pos.	A	B			Tol. L
02	13,22	7,62			± 0,20
03	20,84	15,24			± 0,20
04	28,46	22,86			± 0,20
05	36,08	30,48			± 0,20
06	43,70	38,10			± 0,20
07	51,32	45,72			± 0,30
08	58,94	53,34			± 0,30
09	66,56	60,96			± 0,30
10	74,18	68,58			± 0,30
11	81,80	76,20			± 0,30
12	89,42	83,82			± 0,30
13	97,04	91,44			± 0,40
14	104,66	99,06			± 0,40
15	112,28	106,68			± 0,40
16	119,90	114,30			± 0,40

Pluggable Terminal Block (Plug)

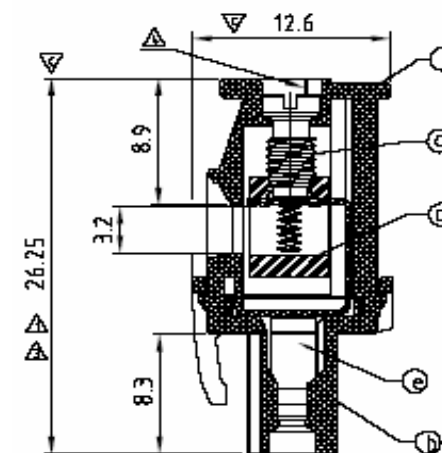
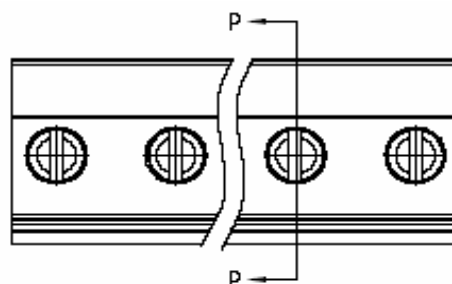
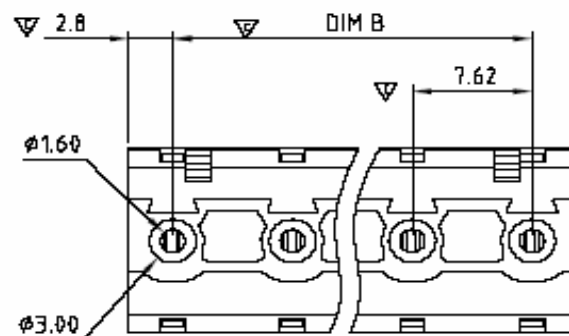
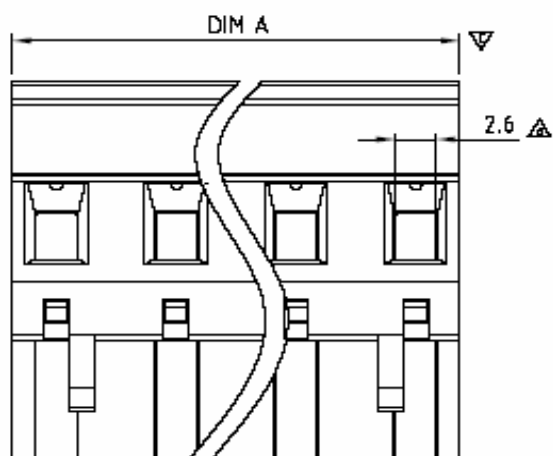
Part No.: **A14R041**
Customer:

DRW:	Jason	CHKD	Wilson	MATL:	Wilson	TOLERANCE	Mason	DATE	31.05.2012
APPD:	Schumi			FINISH	Jamy		Sheet No.		1 from 3

EDCON-COMPONENTS



Drawing (Dimension in mm)



Pluggable Terminal Block (Plug)

Part No.: **A14R041**

Customer:

DRW:	Jason	CHKD	Wilson	MATL:	Wilson	TOLERANCE	Mason	DATE	31.05.2012
APPD:	Schumi			FINISH	Jamy		Sheet No.	2 from 3	

www.edcon-components.com

email: info@edcon-components.com



EDCON-COMPONENTS



Ordering Informations

Serie	No. of Pos.	Body Color	Screw Type	Approval Code	ROHS	Packing	EDCON Cust. No.	Customer Version		
A14R041	02	PG	A	N	R	B				

Pitch
7,62

02 = Number of Pos. Standard 2 ~ 24Pos.	PG = Phoenix Green (Standard)	A = Slotted Screw Type (Standard) 	N = NON Approval	R = ROHS Conform	B = Bulk-Ware I = Individual Package	xxxxxx = Customer Number	xxx = Customer Version ??(Printing)
	WH = White		A = UL /UR Approval Please consult EDCON for available	N = NON ROHS Conform			
	GN = Green	B = Cross Slotted Screw Type 	B = VDE Approval Please consult EDCON for available	C = TÜV Approval Please consult EDCON for available			
	GY = Gray						
	LG = Light Gray						
	OR = Orange						
	BL = Blue						
BK = Black							

Pluggable Terminal Block (Plug)

Part No.: **A14R041**

DRW:	Jason	CHKD	Wilson	MATL:	Wilson	TOLERANCE	Mason	DATE	31.05.2012
APPD:	Schumi			FINISH	Jamy		Sheet No.	3 from 3	Customer: