

Data Sheet

Pluggable Terminal Block (Plug)

Pitch: 7,62 mm

Serie: A14R036

Customer Information for special Item

EDCON Customer : 0

Customer Version No. : 0

EDCON-COMPONENTS



Technical Description

Drawing (Dimension in mm)

		Approvals
		UR/US
Electrical		
Rated Voltage	300V	
Rated Current	20A	
Wire Range		
Solid Wire	10 ~ 30	
Standed Wire	10 ~ 30	
Withstanding Voltage	1,6KV	
Insulation Resistance	5000MΩ / 1000V	
Mechanical		
Operating Temperature	-40°C ~ +115°C	
Wire Strip Length	7-8mm	
Screw Torque	4,5 LB-In	
Screw Size	M3	
Dimensions		
Pitch (mm)	7,62	
Poles	2 ~ 16 Pos.	
Materials		
Terminal Housing	Thermoplastic, UL94V-0	
Clamp	Brass Ni-plated	
Female Contact	Copper tin-plated	
Wire Guard	Stainless Steel	
Screw	Steel Ni-plated / Zinc plated	

No. of Pos.	A	B			Tol. A
02	15,24	7,62			± 0,20
03	22,86	15,24			± 0,20
04	30,48	22,86			± 0,20
05	38,10	30,48			± 0,20
06	45,72	38,10			± 0,20
07	53,34	45,72			± 0,30
08	60,96	53,34			± 0,30
09	68,58	60,96			± 0,30
10	76,20	68,58			± 0,30
11	83,82	76,20			± 0,30
12	91,44	83,82			± 0,30
13	99,06	91,44			± 0,40
14	106,68	99,06			± 0,40
15	114,30	106,68			± 0,40
16	121,92	114,30			± 0,40

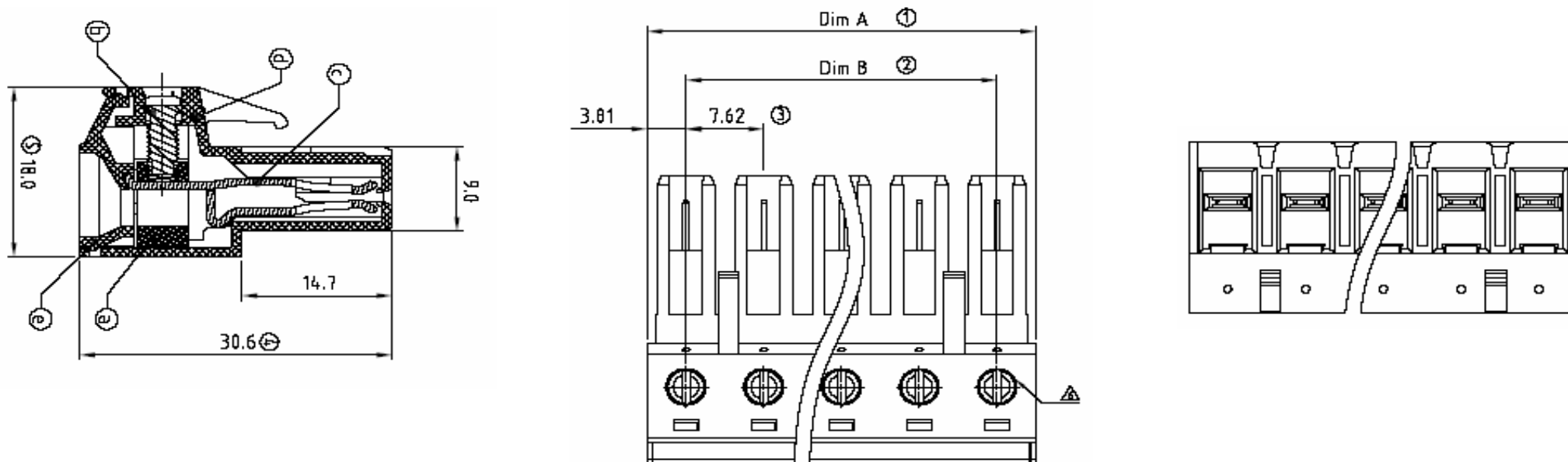
Pluggable Terminal Block (Plug)	
Part No.:	A14R036
Customer:	

DRW:	Jason	CHKD	Wilson	MATL:	Wilson	TOLERANCE	Mason	DATE	31.05.2012
APPD:	Schumi			FINISH	Jamy		Sheet No.		1 from 3

EDCON-COMPONENTS



Drawing (Dimension in mm)



**Pluggable Terminal Block
(Plug)**

Part No.: **A14R036**

DRW:	Jason	CHKD	Wilson	MATL:	Wilson	TOLERANCE	Mason	DATE	31.05.2012
APPD:	Schumi			FINISH	Jamy		Sheet No.	2 from 3	Customer:

www.edcon-components.com

email: info@edcon-components.com



EDCON-COMPONENTS



Ordering Informations

Serie	No. of Pos.	Body Color	Screw Type	Approval Code	ROHS	Packing	EDCON Cust. No.	Customer Version		
A14R036	02	PG	A	N	R	B				

Pitch
7,62

02= Number of Pos. Standard 2 ~ 24Pos.	PG= Phoenix Green (Standard) WH= White GN= Green GY= Gray LG= Light Gray OR= Orange BL= Blue BK= Black	A= Slotted Screw Type (Standard)  B= Cross Slotted Screw Type 	N= NON Approval A= UL /UR Approval Please consult EDCON for available B= VDE Approval Please consult EDCON for available C= TÜV Approval Please consult EDCON for available	R= ROHS Conform N= NON ROHS Conform	B= Bulk-Ware I= Individual Package	xxxxxx= Customer Number	xxx= Customer Version ??(Printing)
--	---	---	---	--	---	--------------------------------	--

Pluggable Terminal Block (Plug)

Part No.: **A14R036**

DRW:	Jason	CHKD	Wilson	MATL:	Wilson	TOLERANCE	Mason	DATE	31.05.2012
APPD:	Schumi			FINISH	Jamy		Sheet No.		3 from 3

Customer:
email: info@edcon-components.com