

# Data Sheet

## Pluggable Terminal Block (Wafer)

**Pitch: 7,62 mm**

**Serie: A14R029**

### Customer Information for special Item

**EDCON Customer : 0**

**Customer Version No. : 0**

# EDCON-COMPONENTS



## Technical Discription

<b>Electrical</b>		Approvals
	UR/US	
Rated Voltage	300V	
Rated Current	20A	
Withstanding Voltage	1,6KV	
Insulation Resistance		5000MΩ / 1000V
<b>Mechanical</b>		
Operating Temperature		-40°C ~ +115°C
<b>Dimensions</b>		
Pitch (mm)		7,62
Poles		2 ~ 16 Pos.
<b>Materials</b>		
Terminal Housing		Thermoplastic, UL94V-0
Pin Header		Copper / Tin Plated

## Drawing (Dimension in mm)

No. of Pos.	A	B			Tol.
02	15,22	7,62			± 0,15
03	22,84	15,24			± 0,15
04	30,46	22,86			± 0,15
05	38,08	30,48			± 0,15
06	45,70	38,10			± 0,15
07	53,32	45,72			± 0,20
08	60,94	53,34			± 0,20
09	68,56	60,96			± 0,20
10	76,18	68,58			± 0,20
11	83,80	76,20			± 0,20
12	91,42	83,82			± 0,20
13	99,04	91,44			± 0,30
14	106,66	99,06			± 0,30
15	114,28	106,68			± 0,30
16	121,90	114,30			± 0,30

**Pluggable Terminal Block  
(Wafer)**

Part No.: **A14R029**

DRW:	Jason	CHKD	Wilson	MATL:	Wilson	TOLERANCE	Mason	DATE	10.05.2012
APPD:	Schumi			FINISH	Jamy		Sheet No.		1 from 4

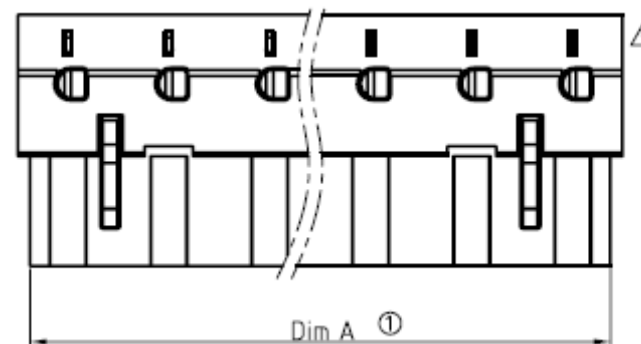
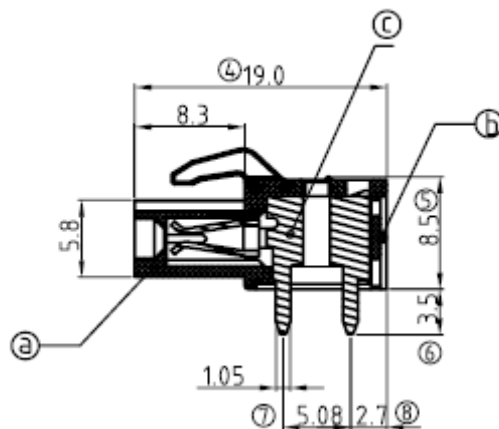
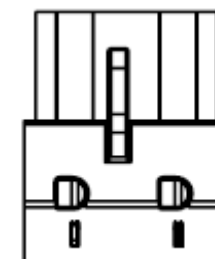
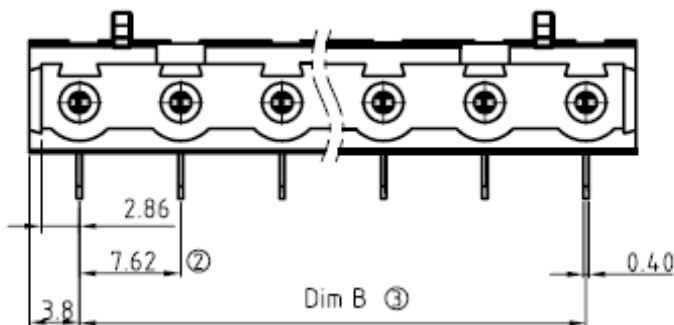
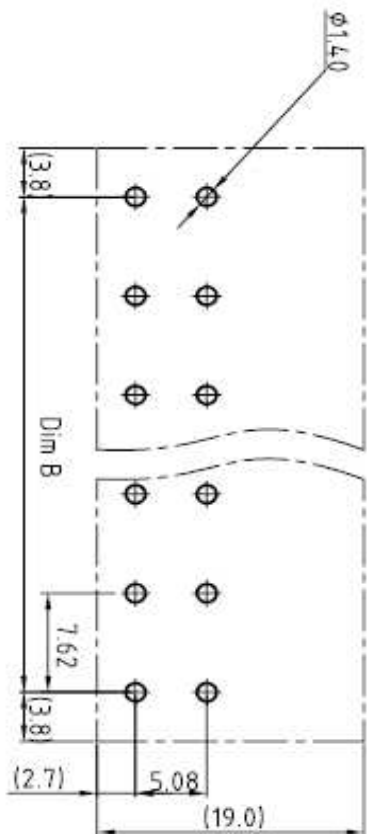
Customer:

# EDCON-COMPONENTS



PCB Layout

Dimensions (mm)



**Pluggable Terminal Block  
(Wafer)**

Part No.: **A14R029**

Customer:

DRW:	Jason	CHKD	Wilson	MATL:	Wilson	TOLERANCE	Mason	DATE	10.05.2012
APPD:	Schumi			FINISH	Jamy		Sheet No.	2 from 4	

[www.edcon-components.com](http://www.edcon-components.com)

email: [info@edcon-components.com](mailto:info@edcon-components.com)

# EDCON-COMPONENTS



## Ordering Informations

Serie	No. of Pos.	Body Color	No Function	Approval Code	ROHS	Packing	EDCON Cust. No.	Customer Version		
-------	-------------	------------	-------------	---------------	------	---------	-----------------	------------------	--	--

<b>A14R029</b>	<b>02</b>	<b>PG</b>	<b>N</b>	<b>N</b>	<b>R</b>	<b>B</b>				
----------------	-----------	-----------	----------	----------	----------	----------	--	--	--	--

Pitch 7,62	<b>02</b> = Number of Pos.	<b>PG</b> = Phoenix Green (Standard)	<b>N</b> = No function	<b>N</b> = NON Approval	<b>R</b> = ROHS Conform	<b>B</b> = Bulk-Ware	<b>xxxxxx</b> = Customer Number	<b>xxx</b> = Customer Version ??(Printing) or anything else
---------------	----------------------------	--------------------------------------	------------------------	-------------------------	-------------------------	----------------------	---------------------------------	--

Other Position on Request Please consult EDCON	<b>WH</b> = White	<b>A</b> = UL /UR Approval Please consult EDCON for available	<b>N</b> = NON ROHS Conform	<b>I</b> = Individual Package
	<b>GN</b> = Green			
	<b>GY</b> = Gray	<b>B</b> = VDE Approval Please consult EDCON for available		
	<b>LG</b> = Light Gray			
	<b>OR</b> = Orange			
	<b>BL</b> = Blue	<b>C</b> = TÜV Approval Please consult EDCON for available		
	<b>BK</b> = Black			

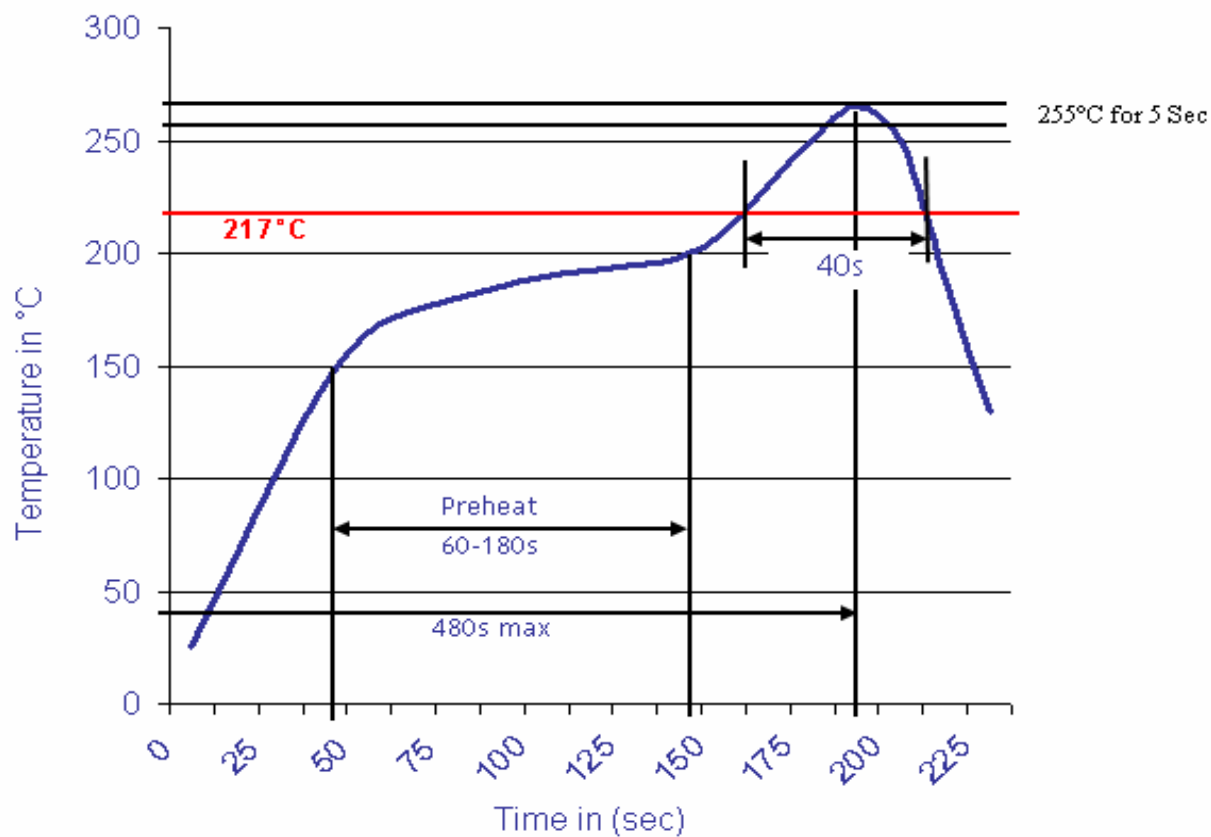
<b>Pluggable Terminal Block (Wafer)</b>	
Part No.:	<b>A14R029</b>
Customer:	

DRW:	Jason	CHKD	Wilson	MATL:	Wilson	TOLERANCE	Mason	DATE	10.05.2012
APPD:	Schumi			FINISH	Jamy		Sheet No.		3 from 4



Soldering Profile Curve

Classification Reflow Profile (JEDEC J-STD-020C)



**Pluggable Terminal Block (Wafer)**

Part No.: **A14R029**

Customer:

DRW:	Jason	CHKD	Wilson	MATL:	Wilson	TOLERANCE	Mason	DATE	10.05.2012
APPD:	Schumi			FINISH	Jamy		Sheet No.	4 from 4	