

Data Sheet

Pluggable Terminal Block

Pitch: 7,62 mm

Serie: A14R028

Customer Information for special Item

EDCON Customer : 0

Customer Version No. : 0

EDCON-COMPONENTS



Technical Discription

Drawing (Dimension in mm)

Electrical

Rated voltage 300V
Rated current 20A

Withstanding voltage 1,6kv

Mechanical

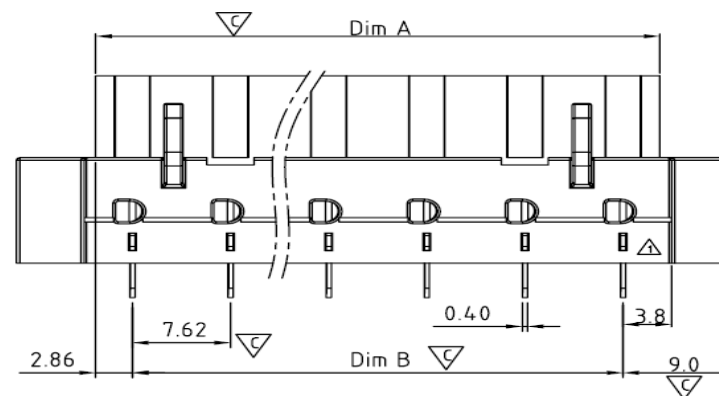
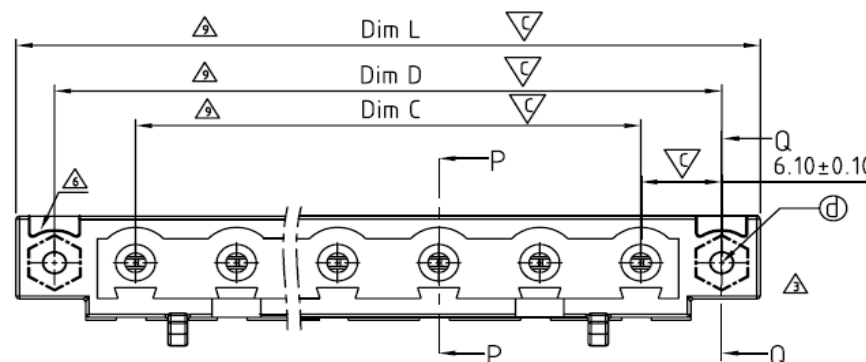
Temperature range -40°C ~ 115°C

Dimensions

Pitch 7,62mm
Poles 2P - 16P

Material

Housing Thermoplastic UL94V-0
Pin header PhBz Tin Plated



Pluggable Terminal Block

Part No.: **A14R028**

Customer:

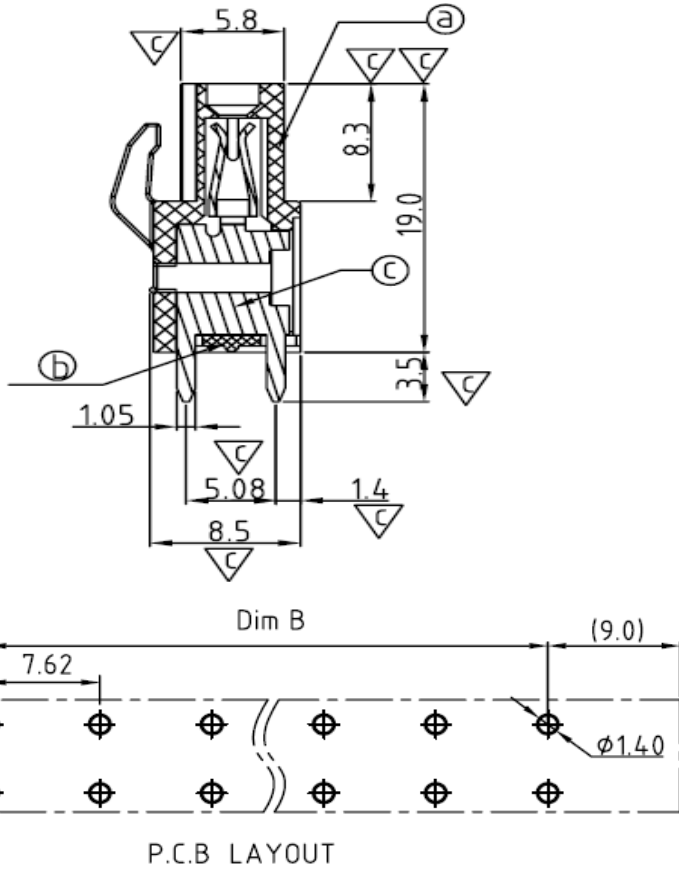
DRW:	Jason	CHKD	Wilson	MATL:	Wilson	TOLERANCE	Mason	DATE	17.02.2014
APPD:	Schumi			FINISH	Jamy		Sheet No.	1 from 4	

EDCON-COMPONENTS



Drawing (Dimension in mm)

Dimensions (mm)



No. of Pos.	A	Tol. P	B	Tol. P
02	20,96	± 0,30	7,62	± 0,30
03	28,58	± 0,30	15,24	± 0,30
04	36,20	± 0,30	22,86	± 0,30
05	43,82	± 0,30	30,48	± 0,30
06	51,44	± 0,30	38,10	± 0,30
07	59,06	± 0,30	45,72	± 0,30
08	66,68	± 0,30	53,34	± 0,30
09	74,30	± 0,30	60,96	± 0,30
10	81,92	± 0,30	68,58	± 0,30
11	89,54	± 0,30	76,20	± 0,30
12	97,16	± 0,30	83,82	± 0,30
13	104,78	± 0,30	91,44	± 0,30
14	112,40	± 0,30	99,06	± 0,30
15	120,02	± 0,30	106,68	± 0,30
16	127,64	± 0,30	114,30	± 0,30

Pluggable Terminal Block

Part No.: **A14R028**

Customer:

DRW:	Jason	CHKD	Wilson	MATL:	Wilson	TOLERANCE	Mason	DATE	17.02.2014
APPD:	Schumi			FINISH	Jamy		Sheet No.		2 from 4

EDCON-COMPONENTS



Ordering Informations

Serie	No. of Pos.	Body Color	Approval	Approval Code	ROHS	Packing	EDCON Cust. No.	Customer Version		
-------	-------------	------------	----------	---------------	------	---------	-----------------	------------------	--	--

A14R028	02	GN	N	N	R	B				
----------------	-----------	-----------	----------	----------	----------	----------	--	--	--	--

Pitch 7,62	02 = Number of Pos. Standard 2 ~ 16Pos.	GY = Gray (Standard) GN = Green OR = Orange BK = Black	N = No Approval 1 = Approval for Material 2 = Approval for Terminal Block	N = NON Approval A = UL /UR Approval Please consult EDCON for available B = VDE Approval Please consult EDCON for available C = TÜV Approval Please consult EDCON for available	R = ROHS Conform N = NON ROHS Conform	B = Standard Package I = Individual Package	xxxxxx = Customer Number	xxx = Customer Version ??(Printing)		
---------------	---	---	--	--	--	--	---------------------------------	--	--	--

Pluggable Terminal Block

Part No.: **A14R028**

DRW:	Jason	CHKD	Wilson	MATL:	Wilson	TOLERANCE	Mason	DATE	17.02.2014
APPD:	Schumi			FINISH	Jamy		Sheet No.		3 from 4

Customer:



Soldering Profile Curve

Classification Reflow Profile (JEDEC J-STD-020C)



Pluggable Terminal Block

Part No.: **A14R028**

Customer:

DRW:	Jason	CHKD	Wilson	MATL:	Wilson	TOLERANCE	Mason	DATE	17.02.2014
APPD:	Schumi			FINISH	Jamy		Sheet No.	4 from 4	

