

Data Sheet

Pluggable Terminal Block

Pitch: 7,62 mm

Serie: A14R027

Customer Information for special Item

EDCON Customer : 0

Customer Version No. : 0

EDCON-COMPONENTS



Technical Discription

Drawing (Dimension in mm)

Electrical

Rated voltage 300V
 Rated current 10A

Withstanding voltage 1,6kv

Mechanical

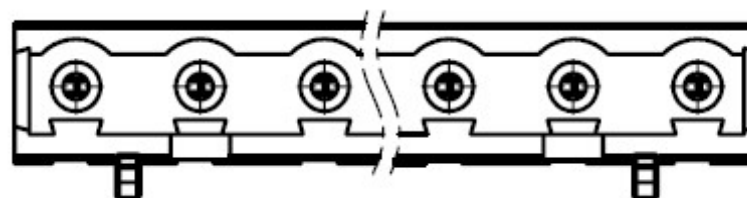
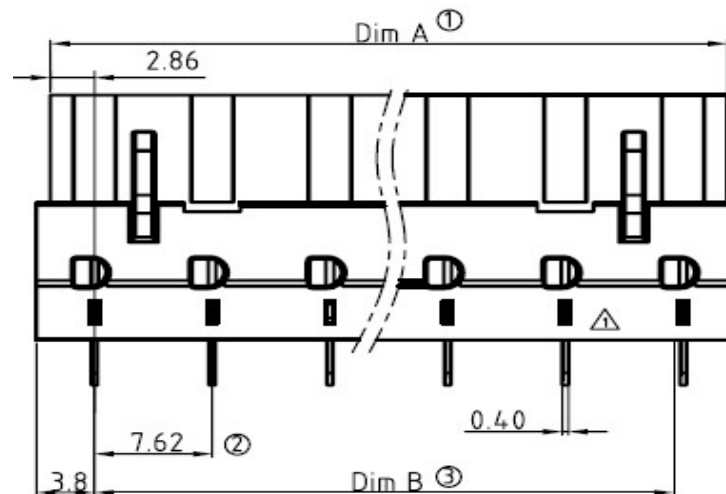
Temperature range -40°C ~ 115°C

Dimensions

Pitch 7,62mm
 Poles 2P - 16P

Material

Housing Thermoplastic UL94V-0
 Pin header PhBz Tin Plated



Pluggable Terminal Block

Part No.: **A14R027**

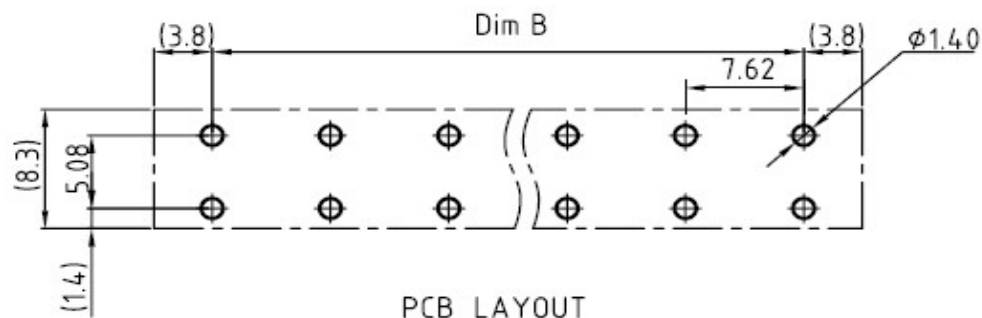
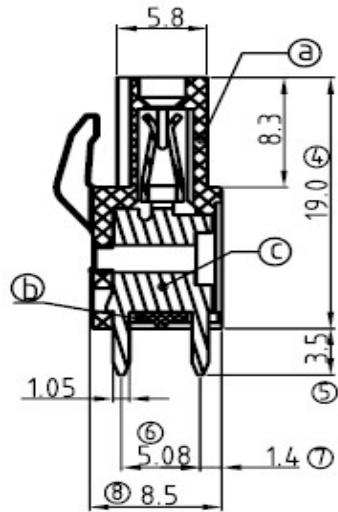
Customer:

| | | | | | | | | | |
|-------|--------|------|--------|--------|--------|-----------|-----------|----------|------------|
| DRW: | Jason | CHKD | Wilson | MATL: | Wilson | TOLERANCE | Mason | DATE | 27.03.2022 |
| APPD: | Schumi | | | FINISH | Jamy | | Sheet No. | 1 from 4 | |

EDCON-COMPONENTS



Drawing (Dimension in mm)



Dimensions (mm)

| No. of Pos. | A | Tol. P | B | Tol. P |
|-------------|--------|--------|--------|--------|
| 02 | 13,34 | ± 0,30 | 7,62 | ± 0,30 |
| 03 | 20,96 | ± 0,30 | 15,24 | ± 0,30 |
| 04 | 28,58 | ± 0,30 | 22,86 | ± 0,30 |
| 05 | 36,20 | ± 0,30 | 30,48 | ± 0,30 |
| 06 | 43,82 | ± 0,30 | 38,10 | ± 0,30 |
| 07 | 51,44 | ± 0,30 | 45,72 | ± 0,30 |
| 08 | 59,06 | ± 0,30 | 53,34 | ± 0,30 |
| 09 | 66,68 | ± 0,30 | 60,96 | ± 0,30 |
| 10 | 74,30 | ± 0,30 | 68,58 | ± 0,30 |
| 11 | 81,92 | ± 0,30 | 76,20 | ± 0,30 |
| 12 | 89,54 | ± 0,30 | 83,82 | ± 0,30 |
| 13 | 97,16 | ± 0,30 | 91,44 | ± 0,30 |
| 14 | 104,78 | ± 0,30 | 99,06 | ± 0,30 |
| 15 | 112,40 | ± 0,30 | 106,68 | ± 0,30 |
| 16 | 120,02 | ± 0,30 | 114,30 | ± 0,30 |
| | | | | |
| | | | | |
| | | | | |
| | | | | |
| | | | | |
| | | | | |
| | | | | |
| | | | | |
| | | | | |
| | | | | |
| | | | | |
| | | | | |
| | | | | |
| | | | | |
| | | | | |
| | | | | |

Pluggable Terminal Block
 Part No.: **A14R027**

| | | | | | | | | | |
|-------|--------|------|--------|--------|--------|-----------|-----------|------|------------|
| DRW: | Jason | CHKD | Wilson | MATL: | Wilson | TOLERANCE | Mason | DATE | 27.03.2022 |
| APPD: | Schumi | | | FINISH | Jamy | | Sheet No. | | 2 from 4 |

www.edcon-components.com

email: info@edcon-components.com

EDCON-COMPONENTS



Ordering Informations

| Serie | No. of Pos. | Body Color | Approval | Approval Code | ROHS | Packing | EDCON Cust. No. | Customer Version | | |
|-------|-------------|------------|----------|---------------|------|---------|-----------------|------------------|--|--|
|-------|-------------|------------|----------|---------------|------|---------|-----------------|------------------|--|--|

| | | | | | | | | | | |
|----------------|-----------|-----------|----------|----------|----------|----------|--|--|--|--|
| A14R027 | 02 | PG | N | N | R | B | | | | |
|----------------|-----------|-----------|----------|----------|----------|----------|--|--|--|--|

| | | | | | | | | |
|---------------|---|--|---|---|--|--|---------------------------------|---|
| Pitch 7,62 | 02 = Number of Pos. Standard 2 ~ 16Pos. | GY = Gray (Standard) GN = Green OR = Orange BK = Black PG = Phoenix-Green | 0 = No Approval N = UL-Approval for Material 2 = Approval for Terminal Block | 0 = NON Approval N = UL /UR Approval B = VDE Approval Please consult EDCON for available C = TÜV Approval Please consult EDCON for available | R = ROHS Conform N = NON ROHS Conform | B = Standard Package I = Individual Package | xxxxxx = Customer Number | xxx = Customer Version ??(Printing) |
|---------------|---|--|---|---|--|--|---------------------------------|---|

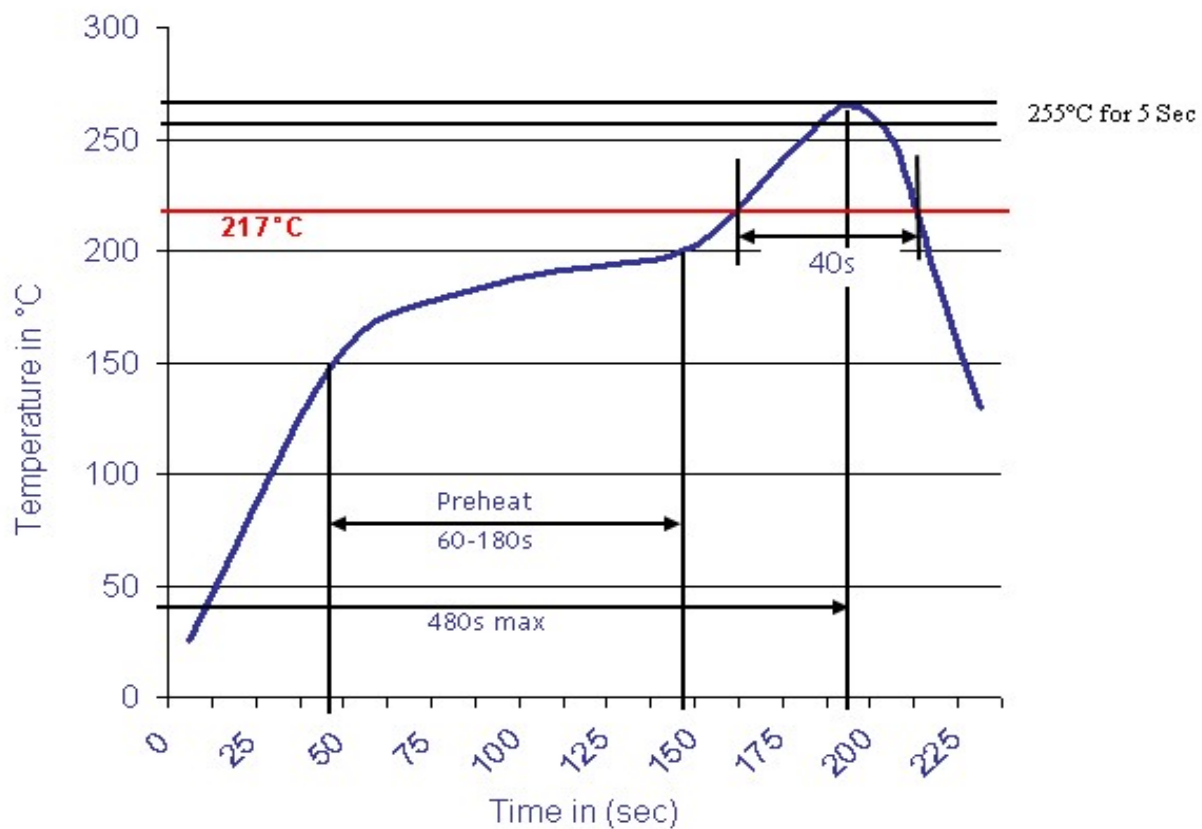
| | |
|---------------------------------|----------------|
| Pluggable Terminal Block | |
| Part No.: | A14R027 |
| Customer: | |

| | | | | | | | | | |
|-------|--------|------|--------|--------|--------|-----------|-----------|------|------------|
| DRW: | Jason | CHKD | Wilson | MATL: | Wilson | TOLERANCE | Mason | DATE | 27.03.2022 |
| APPD: | Schumi | | | FINISH | Jamy | | Sheet No. | | 3 from 4 |



Soldering Profile Curve

Classification Reflow Profile (JEDEC J-STD-020C)



| | |
|---------------------------------|----------------|
| Pluggable Terminal Block | |
| Part No.: | A14R027 |
| Customer: | |

| | | | | | | | | | |
|-------|--------|------|--------|--------|--------|-----------|-----------|----------|------------|
| DRW: | Jason | CHKD | Wilson | MATL: | Wilson | TOLERANCE | Mason | DATE | 27.03.2022 |
| APPD: | Schumi | | | FINISH | Jamy | | Sheet No. | 4 from 4 | |

