

Data Sheet

Pluggable Terminal Block

Pitch: 7,62 mm

Serie: A14R026

Customer Information for special Item

EDCON Customer : 0

Customer Version No. : 0

EDCON-COMPONENTS



Technical Discription

Drawing (Dimension in mm)

Electrical

Standard	UL	IEC
Rated voltage	300V	320V, 400V
Rated current	15A	20A
Wire range	28-12 AWG	2.5mm ²
Withstanding voltage	AC 2500V/1min	

Mechanical

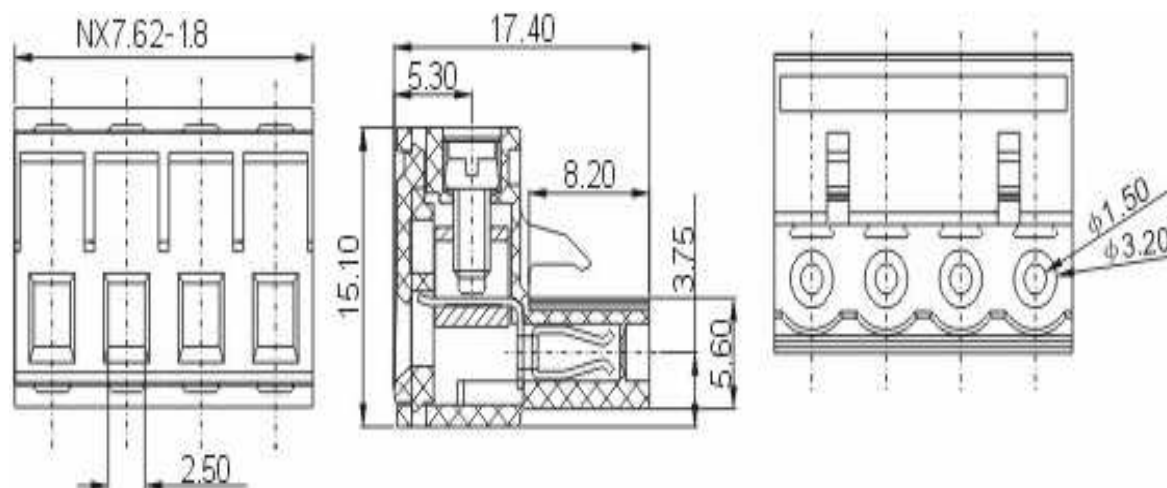
Ambient temperature	-40°C ~ +105°C
Strip length	7mm
Screw, Torque	M2.5, 0.4Nm (3.5Lb-In.)

Dimensions

Pitch	7.62mm
Poles	2P - 24P 2P - 12P

Material

Housing	PA66 (UL94V-0)
Contact	Phosphor Bronze
Cage	Brass, Ni plated
Terminal screw	steel, Cr ³⁺ Zn plated



Pluggable Terminal Block

Part No.: **A14R026**

DRW:	Jason	CHKD	Wilson	MATL:	Wilson	TOLERANCE	Mason	DATE	26.05.2014
APPD:	Schumi			FINISH	Jamy		Sheet No.		1 from 4

Customer:

EDCON-COMPONENTS



PCB Layout (Dimension in mm)

Dimensions (mm)

No. of Pos.	A	Tol. P
02	13,44	± 0,35
03	21,06	± 0,35
04	28,68	± 0,35
05	36,30	± 0,35
06	43,92	± 0,35
07	51,54	± 0,35
08	59,16	± 0,35
09	66,78	± 0,35
10	74,40	± 0,35
11	82,02	± 0,35
12	89,64	± 0,35
13	97,26	± 0,35
14	104,88	± 0,35
15	112,50	± 0,35
16	120,12	± 0,35
17	127,74	± 0,35
18	135,36	± 0,35
19	142,98	± 0,35
20	150,60	± 0,35
21	158,22	± 0,35
22	165,84	± 0,35
23	173,46	± 0,35
24	181,08	± 0,35

Pluggable Terminal Block

Part No.: **A14R026**

DRW:	Jason	CHKD	Wilson	MATL:	Wilson	TOLERANCE	Mason	DATE	26.05.2014	Customer:
APPD:	Schumi			FINISH	Jamy		Sheet No.	2 from 4		

EDCON-COMPONENTS





Ordering Informations

Serie	No. of Pos.	Body Color	Screw Type	Approval	Approval Code	ROHS	Packing	EDCON Cust. No.	Customer Version
-------	-------------	------------	------------	----------	---------------	------	---------	-----------------	------------------

A14R026	02	GN	A	N	N	R	B		
----------------	-----------	-----------	----------	----------	----------	----------	----------	--	--

Pitch	02= Number of Pos.	GY= Gray (Standard)	A= Slotted Screw Type	N= No Approval	N= NON Approval	R= ROHS Conform	B= Standard Package	xxxxxx= Customer Number	xxx= Customer Version ??(Printing)
-------	--------------------	---------------------	-----------------------	----------------	-----------------	-----------------	---------------------	-------------------------	------------------------------------

Standard 2 ~ 24Pos.				1= Approval for Material	A= UL /UR Approval Please consult EDCON for available	N= NON ROHS Conform	I= Individual Package		
	GN= Green			2= Approval for Terminal Block					
					B= VDE Approval Please consult EDCON for available				
	OR= Orange								
	BK= Black				C= TÜV Approval Please consult EDCON for available				

Pluggable Terminal Block

Part No.: **A14R026**

DRW:	Jason	CHKD	Wilson	MATL:	Wilson	TOLERANCE	Mason	DATE	26.05.2014	Customer:
APPD:	Schumi			FINISH	Jamy		Sheet No.	3 from 4		



Soldering Profile Curve

Classification Reflow Profile (JEDEC J-STD-020C)



Pluggable Terminal Block

Part No.: **A14R026**

Customer:

DRW:	Jason	CHKD	Wilson	MATL:	Wilson	TOLERANCE	Mason	DATE	26.05.2014
APPD:	Schumi			FINISH	Jamy		Sheet No.	4 from 4	