

Data Sheet

Pluggable Terminal Block (Plug)

Pitch: 7,62 mm

Serie: A14R0254

Customer Information for special Item

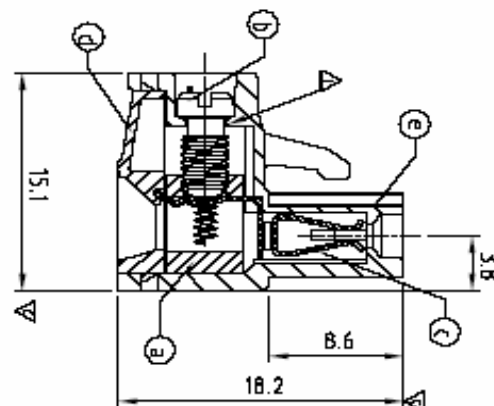
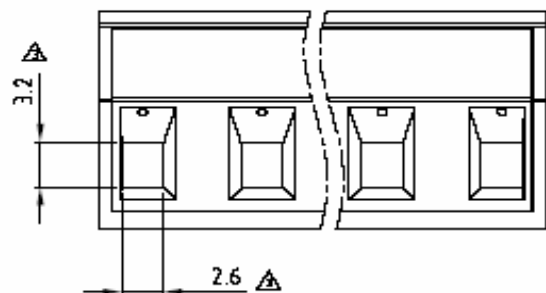
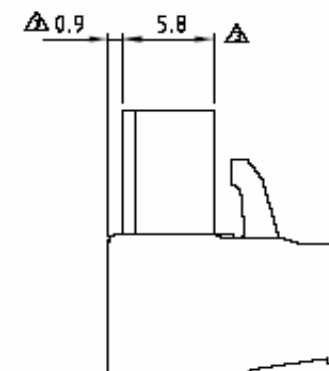
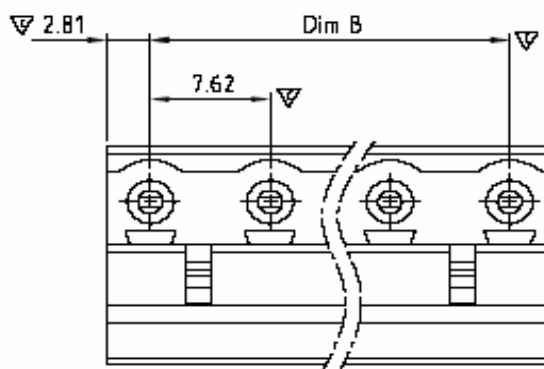
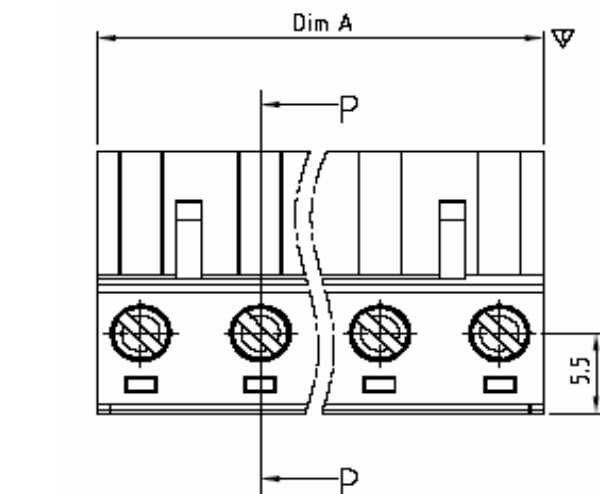
EDCON Customer : 0

Customer Version No. : 0

EDCON-COMPONENTS



Drawing (Dimension in mm)



Pluggable Terminal Block (Plug)	
Part No.:	A14R0254
Customer:	

DRW:	Jason	CHKD	Wilson	MATL:	Wilson	TOLERANCE	Mason	DATE	31.05.2012
APPD:	Schumi			FINISH	Jamy		Sheet No.	2 from 3	



EDCON-COMPONENTS



Ordering Informations

Serie	No. of Pos.	Body Color	Screw Type	Approval Code	ROHS	Packing	EDCON Cust. No.	Customer Version		
A14R0254	02	PG	A	N	R	B				

Pitch
7,62

02= Number of Pos. Standard 2 ~ 24Pos.	PG= Phoenix Green (Standard)	A= Slotted Screw Type (Standard) 	N= NON Approval	R= ROHS Conform	B= Bulk-Ware I= Individual Package	xxxxxx= Customer Number	xxx= Customer Version ??(Printing)
	WH= White		A= UL /UR Approval Please consult EDCON for available	N= NON ROHS Conform			
	GN= Green	B= Cross Slotted Screw Type 	B= VDE Approval Please consult EDCON for available	C= TÜV Approval Please consult EDCON for available			
	GY= Gray						
	LG= Light Gray						
	OR= Orange						
	BL= Blue						
BK= Black							

Pluggable Terminal Block (Plug)

Part No.: **A14R0254**

DRW:	Jason	CHKD	Wilson	MATL:	Wilson	TOLERANCE	Mason	DATE	31.05.2012
APPD:	Schumi			FINISH	Jamy		Sheet No.		3 from 3

Customer: