

Data Sheet

Screwless Terminal Block

Pitch: 3,81 mm

Serie: A14H105

Customer Information for special Item

EDCON Customer : 0

Customer Version No. : 0

EDCON-COMPONENTS



Technical Discription

Drawing (Dimension in mm)

Electrical

Rated voltage 300V
Rated current 8A

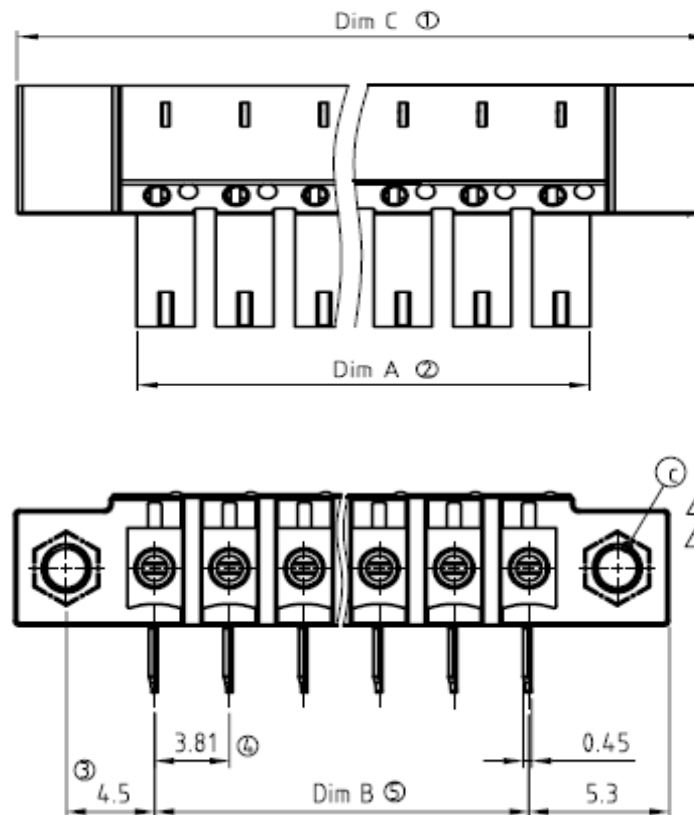
Withstanding voltage 1,6kv
Mechanical
Temperature range -40°C ~ 115°C

Dimensions

Pitch 3,81mm
Poles 2P - 24P

Material

Housing Thermoplastic UL94V-0
Pin header PhBz Tin Plated



Screwless Terminal Block

Part No.: **A14H105**

Customer:

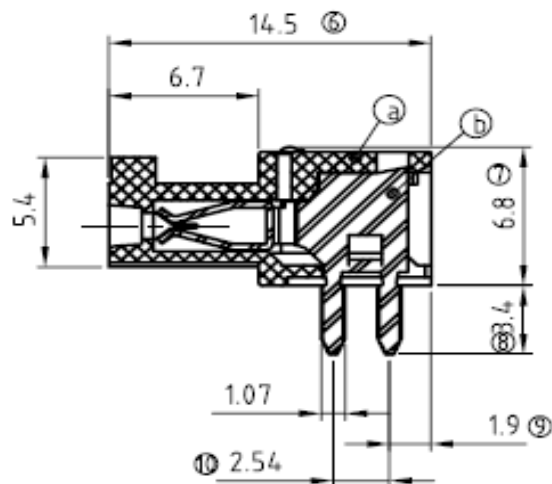
DRW:	Jason	CHKD	Wilson	MATL:	Wilson	TOLERANCE	Mason	DATE	17.02.2014
APPD:	Schumi			FINISH	Jamy		Sheet No.	1 from 4	

EDCON-COMPONENTS

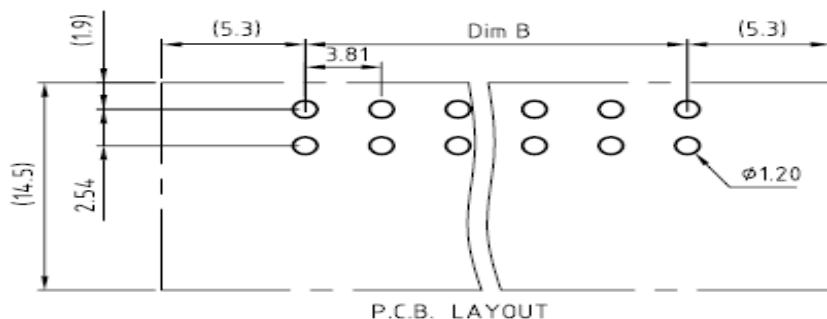


Drawing (Dimension in mm)

Dimensions (mm)



No. of Pos.	A	Tol. P	B	Tol. P
02	6,61	± 0,30	3,81	± 0,30
03	10,42	± 0,30	7,62	± 0,30
04	14,23	± 0,30	11,43	± 0,30
05	18,04	± 0,30	15,24	± 0,30
06	21,85	± 0,30	19,05	± 0,30
07	25,66	± 0,30	22,86	± 0,30
08	29,47	± 0,30	26,67	± 0,30
09	33,28	± 0,30	30,48	± 0,30
10	37,09	± 0,30	34,29	± 0,30
11	40,90	± 0,30	38,10	± 0,30
12	44,71	± 0,30	41,91	± 0,30
13	48,52	± 0,30	45,72	± 0,30
14	52,33	± 0,30	49,53	± 0,30
15	56,14	± 0,30	53,34	± 0,30
16	59,95	± 0,30	57,15	± 0,30
17	63,76	± 0,30	60,96	± 0,30
18	67,57	± 0,30	64,77	± 0,30
19	71,38	± 0,30	68,58	± 0,30
20	75,19	± 0,30	72,39	± 0,30
21	79,00	± 0,30	76,20	± 0,30
22	82,81	± 0,30	80,01	± 0,30
23	86,62	± 0,30	83,82	± 0,30
24	90,43	± 0,30	87,63	± 0,30



Screwless Terminal Block

Part No.: **A14H105**

Customer:

DRW:	Jason	CHKD	Wilson	MATL:	Wilson	TOLERANCE	Mason	DATE	17.02.2014
APPD:	Schumi			FINISH	Jamy		Sheet No.		2 from 4

EDCON-COMPONENTS



Ordering Informations

Serie	No. of Pos.	Body Color	Approval	Approval Code	ROHS	Packing	EDCON Cust. No.	Customer Version		
-------	-------------	------------	----------	---------------	------	---------	-----------------	------------------	--	--

A14H105	02	GN	N	N	R	B				
----------------	-----------	-----------	----------	----------	----------	----------	--	--	--	--

Pitch	02= Number of Pos.	GY= Gray (Standard)	N= No Approval	N= NON Approval	R= ROHS Conform	B= Standard Package	xxxxxx= Customer Number	xxx= Customer Version ??(Printing)
-------	--------------------	---------------------	----------------	-----------------	-----------------	---------------------	-------------------------	------------------------------------

3,81	Standard 2 ~ 24Pos.		1= Approval for Material	A= UL /UR Approval Please consult EDCON for available	N= NON ROHS Conform	I= Individual Package		
		GN= Green	2= Approval for Terminal Block	B= VDE Approval Please consult EDCON for available				
		OR= Orange		C= TÜV Approval Please consult EDCON for available				
		BK= Black						

Screwless Terminal Block

Part No.: **A14H105**

DRW:	Jason	CHKD	Wilson	MATL:	Wilson	TOLERANCE	Mason	DATE	17.02.2014
APPD:	Schumi			FINISH	Jamy		Sheet No.		3 from 4

Customer:



Soldering Profile Curve

Classification Reflow Profile (JEDEC J-STD-020C)



Screwless Terminal Block

Part No.: **A14H105**

Customer:

DRW:	Jason	CHKD	Wilson	MATL:	Wilson	TOLERANCE	Mason	DATE	17.02.2014
APPD:	Schumi			FINISH	Jamy		Sheet No.	4 from 4	

