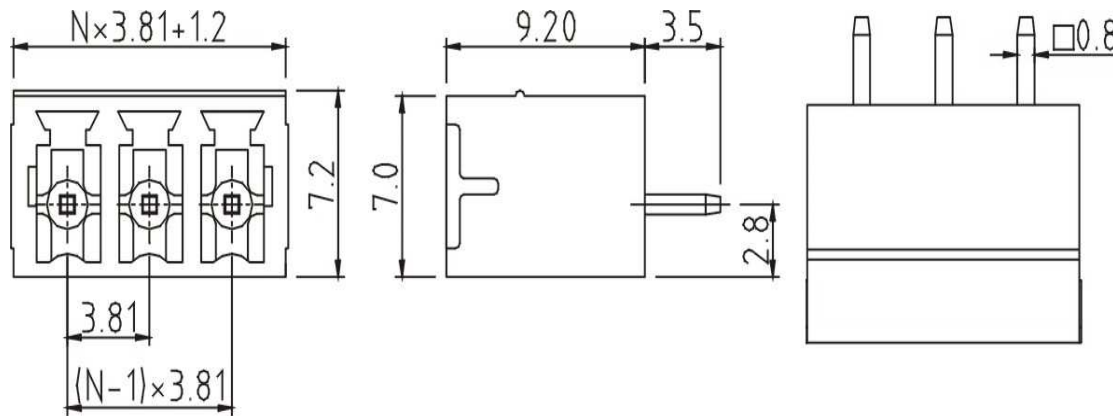


EDCON-COMPONENTS



Drawing



Specification

APPROVAL



Electrical

Standard
Rated voltage
Rated current
Withstanding voltage

cULus	CSA	VDE
300V	125V	300V
10A	8A	10.5A
1.6KV	1.6KV	2.5KV

Mechanical

Ambient temperature
Soldering temperature

$-40^{\circ}\text{C} \sim +115^{\circ}\text{C}$
 $250^{\circ}\text{C} \pm 10^{\circ}\text{C}/5 \text{ sec}$

Dimensions

Pitch
Poles

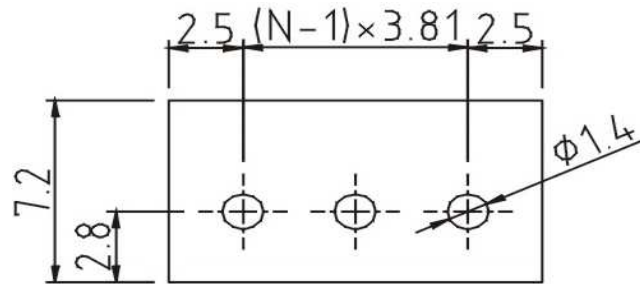
3.81mm
2P - 24P

Material

Housing
Pin header

Thermoplastic (UL94V-0)
Brass, Tin plated

P.C.B. Layout



Certification



Pluggable Terminal Block /
Pitch 3.81mm

Part No.: A14H098

Customer:

DRW:	Justin	CHKD:	Frank	MATL:	Jordan	TOLERANCE:	Lord	Date:	10.02.2009
APPD:	Pete			FINISH:	Mike			Sheet No.:	1 from 3

www.edcon-components.com

email: info@edcon-components.com

EDCON-COMPONENTS



Ordering Informations

Serie	-	No. of Pole	Body-Color	-	Customer Request
A14H098	-	XX	XX	-	X
		XX = total	WH - white		
		02	GN - green		
		...	GR - gray		
		24	TP - transparent		
			OR - orange		
			BK - black		
			BL - blue		
			RD - red		
			YW - yellow		
			PG - Phoenix Green		



Certification



Pluggable Terminal Block / Pitch 3.81mm	
Part No.:	A14H098
Customer:	

DRW:	Justin	CHKD	Frank	MATL:	Jordan	TOLERANCE	Lord	Date	10.02.2009
APPD:	Pete			FINISH	Mike		Sheet No.		2 from 3

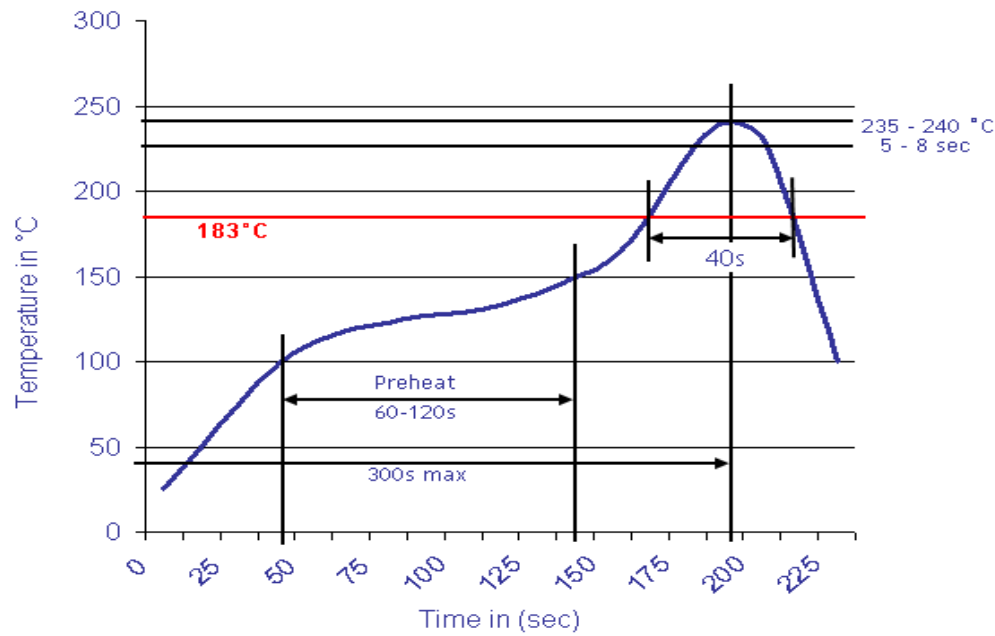
www.edcon-components.com

email: info@edcon-components.com



Soldering - Profil

Classification Reflow Profile (JEDEC J-STD-020C)



Pluggable Terminal Block / Pitch 3.81 mm	
Part No.:	A14H098
Customer:	

DRW:	Justin	CHKD	Frank	MATL:	Jordan	TOLERANCE	Lord	Date	10.02.2009
APPD:	Pete			FINISH	Mike			Sheet No.	3 from 3